



BTS
ALUMINIUM

EXPERT ON RAILING SYSTEMS



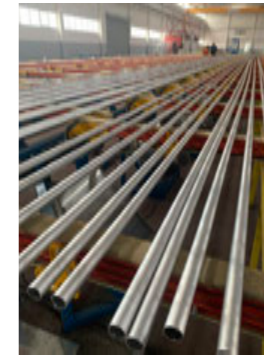
Frameless Glass Railing Systems

Neue Glas Geländersysteme

Nouveau Système De Rampe Avec Le Support En Verre

Standards stay the same,
innovation never ends...

V10




BTS
ALUMINIUM
EXPERT ON RAILING SYSTEMS

Our company, which started its business life with the production of aluminum accessories in 1988, today is proud of being a brand in aluminum outdoor systems. Today, BTS Aluminium is delivering its products more than 50 countries in 5 continents. Our aluminum profile extrusion facility is located in Kırklareli / Turkey and equipped with modern machinery with the latest technologies for extrusion. Our Company, who led the producing of outdoor systems in Turkey and exported its products to international markets, is still continue to develop itself, finding new solutions with new products and increasing its reliability.

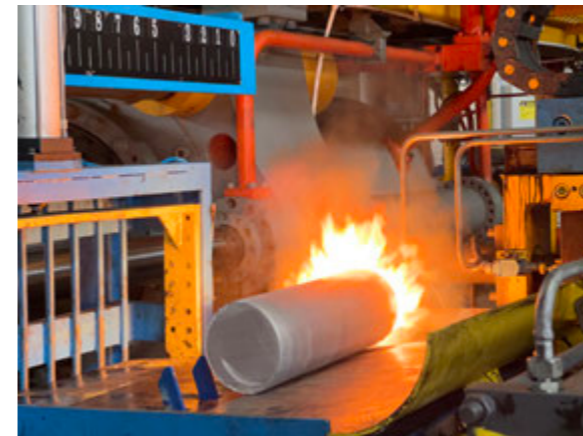
Our product range is;

- Aluminium Extrusions
- Solar PV Mounting Systems
- Frameless Glass Railing Systems
- Veranda / Wintergarden System
- Aluminium Fence Systems
- Rising Glass Railing / Windbreaker Systems
- Vertical Sliding Guillotine Glass Wall System
- Sliding Glass Systems
- Glass Canopy
- Aluminium Railing Systems

We constantly work to satisfy our customers' demands to the very fullest. Our company which has as principles the full customer's satisfaction, best service and high quality in products is exporting the %85 of its production. We are giving enormous importance to develop continuously new products in order to give the best service in this field. Since first day, we have always tried to develop ourselves and our products and offer innovations to our customers.

That's why we say!

"Standards stay the same, innovation never ends!"





C50
Top Mount Glass Supporting System
Page→ 04-07

LED C50
Top Mount Glass Supporting System
Page→ 08-11

C50+
Top Mount Glass Supporting System
Page→ 12-13

A50
Top Mount Glass Supporting System
Page→ 14-15

D55
Bendable Side Fix Glass Railing System
Page→ 66-67

AL50
External Glass Supporting System
Page→68-69

S40
Top Mount Glass Supporting System (Economic Type)
Page→ 70-71

S40E
Top Mount Glass Supporting System (Economic Type)
Page→ 72-73

U50
Top Mount Glass Supporting System
Page→ 16-17

U50F
Top Mount Glass Supporting System
Page→18-19

U50Max
Top Mount Glass Supporting System
Page→ 20-21

U50FMax
Top Mount Glass Supporting System
Page→22-23

J100
Juliete Balcony
Page→ 74-75

J120
Juliete Balcony
Page→ 76-77

Vista100
External Glass Supporting System
Page→ 78-79

Vista300 Vista310
Spigot System
Page→ 80-81

U50RMax
Top Mount Glass Supporting System
Page→ 24-25

EX50
Top Mount Glass Supporting System
Page→ 26-27

X50
Top Mount Glass Supporting System
Page→ 28-29

N50S
Top Mount Glass Supporting System
Page→ 30-31

Vista320 Vista330
Spigot System
Page→ 82-83

TOP RAIL PROFILE VARIATIONS & ACCESSORIES
Page→ 84-85

HANDRAILS & ACCESSORIES
Page→ 86-87

ACCESSORIES
Page→ 88

N50
Top Mount Glass Supporting System
Page→32-33

N50F
Top Mount Glass Supporting System
Page→34-35

N50R
Side Fix System
Page→ 36-37

C70
Top Mount Supporting System with Glass Angle Adjustment
Page→ 38-39

CERTIFICATES



ISO 9001: 2015
BTS ALUMINIUM-METAL VE PVC AKSESUAR SAN. VE TIC. LTD. STI.
SCOPE
IAS

LGAD
Algarve Associação Portuguesa de Engenharia
Attestation of compliance with EN 12600

TEST REPORT No. 21000
INSTITUTO GIORDANO
TEST REPORT No. 21000

TEST REPORT No. 21000
INSTITUTO GIORDANO
TEST REPORT No. 21000

C60
Top Mount Glass Supporting System
Page→ 40-41

AS55
Top Mount Glass Supporting System
Page→ 42-43

R50Neo
Top Mount Glass Supporting System
Page→ 44-45

FX50
Side Fix System
Page→ 46-47

Multiple technical drawings and certificates showing detailed views of glass railing systems and their components.

NX50
Top Mount Glass Supporting System
Page→ 48-49

M50
F Type Top Mount Glass Supporting System
Page→ 50-51

CL50
Top Mount Glass Supporting System
Page→ 52-53

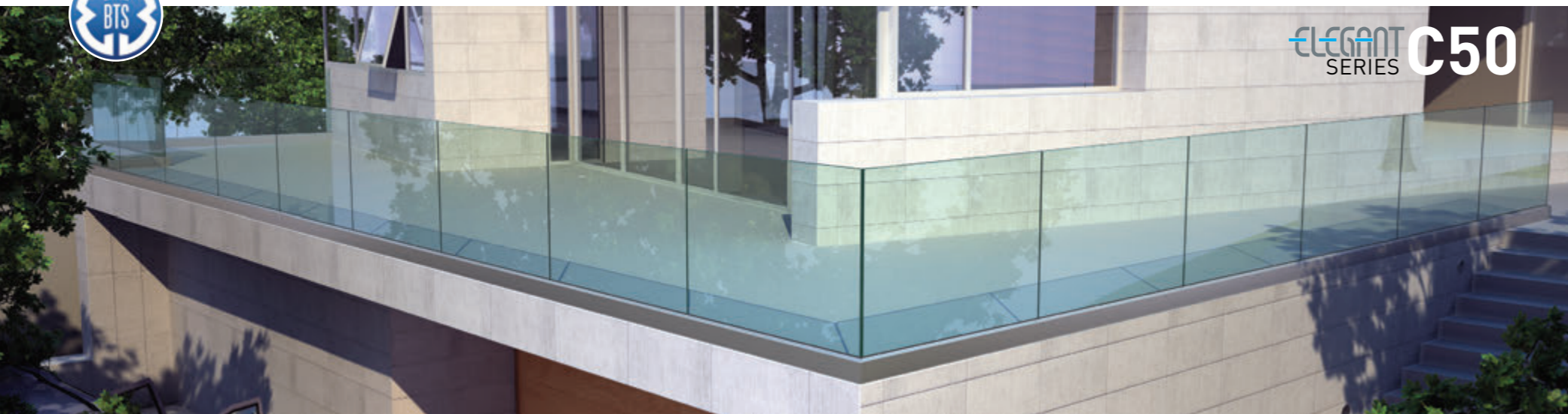
CL40
Top Mount Glass Supporting System
Page→54-55

DESIGN RX50
Top Mount Glass Supporting System
Page→ 56-57

CA50
In-Floor Glass Supporting System
Page→ 58-61

CX50
Top Mount Glass Supporting System
Page→ 62-63

D50
Side Mount Staircase Type Glass Railing
Page→ 64-65



ELEGANT SERIES C50

ELEGANT SERIES C50

✚ BTS Elegant on-floor glass supporting systems distinguish your valuable projects with it's durability, aesthetic and being a brand new system. Floor fixings which are produced from aluminium provides the durability by making the connection between floor and glass. Aesthetic view appears when floor fixing parts are closed by cap profile. You will create the difference with different color variations of cap profiles.

- 12 mm, 16 mm and 20 mm safety glass usage
- Newest and safest system in railing
- Unlimited view
- Aesthetic design
- Easy cleaning

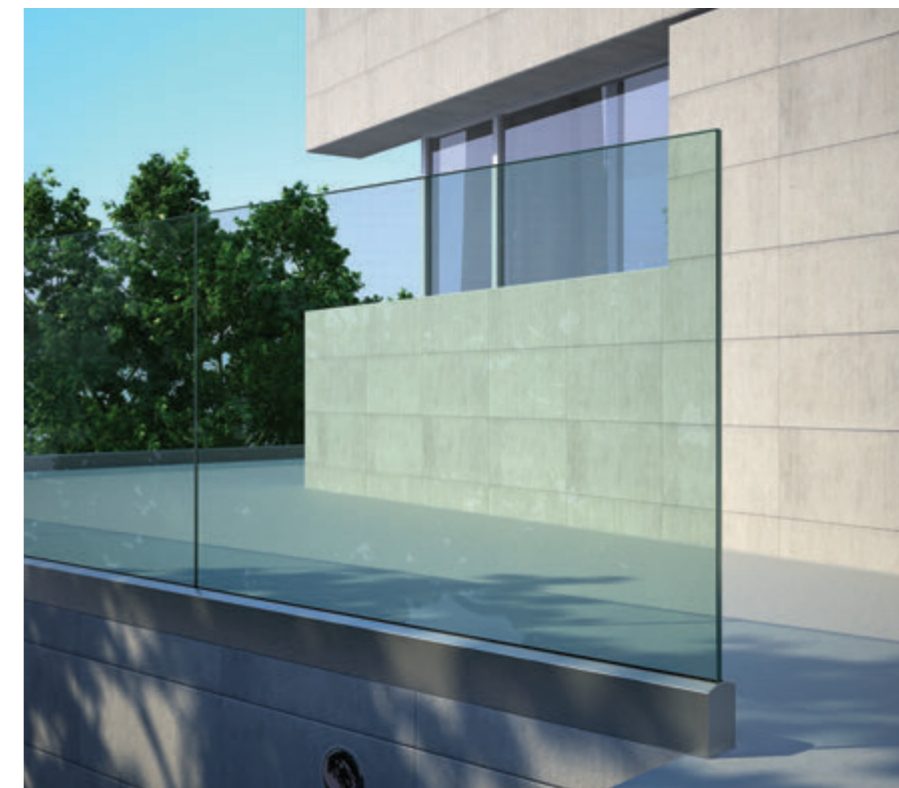
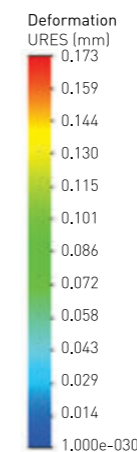
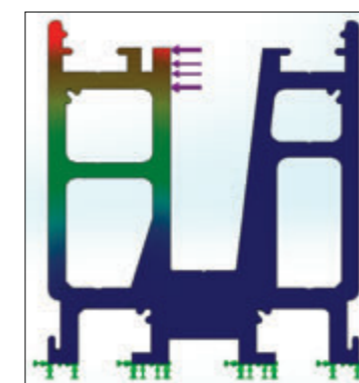
🇩🇪 Unser BTS "Elegant Geländersystem" verleiht Ihren hochklassigen Projekten Mehrwert durch seine Ästhetik, Innovation und Beständigkeit. Die aus Aluminium hergestellten Bodenbefestigungen sorgen für die stabile Verbindung von Glaswand und Boden. Ein besonders ästhetischer Gesamteindruck ergibt sich durch die Verwendung von Abdeckprofilen zum Schließen der Bodenbefestigungen. Sie können unser System durch die Verwendung von Abdeckprofilen in verschiedenen Farben individuell gestalten.

- Verwendung von 12, 16 und 20 mm Sicherheitsglas
- Innovatives und sicheres Geländersystem
- Freie Sicht
- Ästhetisches Design
- Einfache Reinigung

🇫🇷 Série élégante C50, système de soutien en verre sur le sol se distingue avec la durabilité, esthétique et étant un système de marque. Fixations de plancher qui sont produites à partir d'aluminium améliorent la durabilité en faisant le lien entre le sol et le verre. Ce Système est convenable pour le verre feuillté trempé de 12 mm, 16 mm et 20 mm d'épaisseur. Vue esthétique apparaît lorsque les pièces de fixation au sol sont fermées par les profilés de fermeture. Vous allez créer nouvelles apparences en utilisant différentes variations de couleur de ces profilés.

- Système le plus récent et le plus sûr pour garde-corps
- Visibilité illimitée
- Esthétique
- Nettoyage facile

Mass/Block/Masse: 9.89846 kg
Volume/Volumen/Volume: 0.000517958 m³
Density/Dichte/Densité: 2700 kg/m³
Weight/Gewicht/Poids/Force: 13.7052 N



Alloy EN AW 6063
Stress and relocation results on 1mt base profile with 1 tone (10.000 nt) horizontal load to the highest surface of the profile.

Belastungs- und Verlagerungsergebnisse auf 1 m Basis Profil bei Belastung mit 1 Tonne (10.000 NT), horizontale Belastung auf der höchsten Oberfläche des Profils.

EN AW 6063
Le stress et le démenagement résultant sur la surface la plus haute de profilé de base de 1 mt à la suite d'une charge horizontale de 1000 kg.



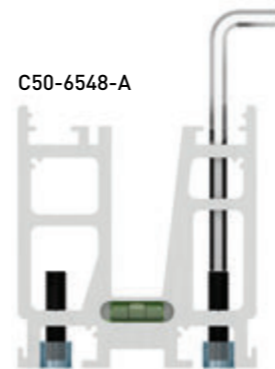
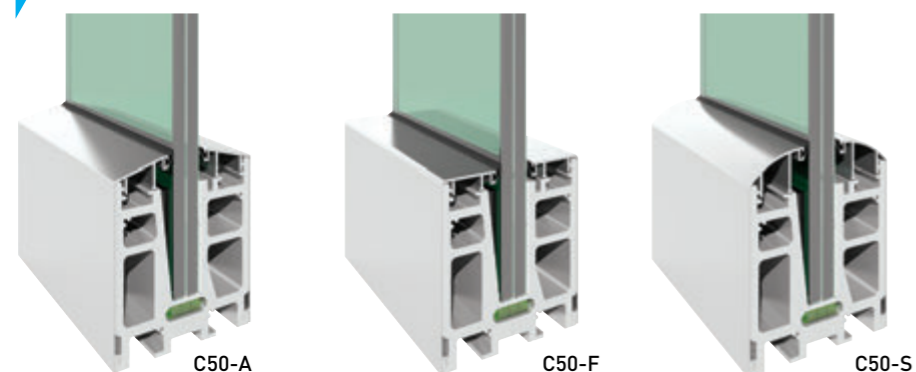
TR2011/09444
TR2014/08207

Spirit Level
Integrierte Wasserwaage
Niveau à bulle

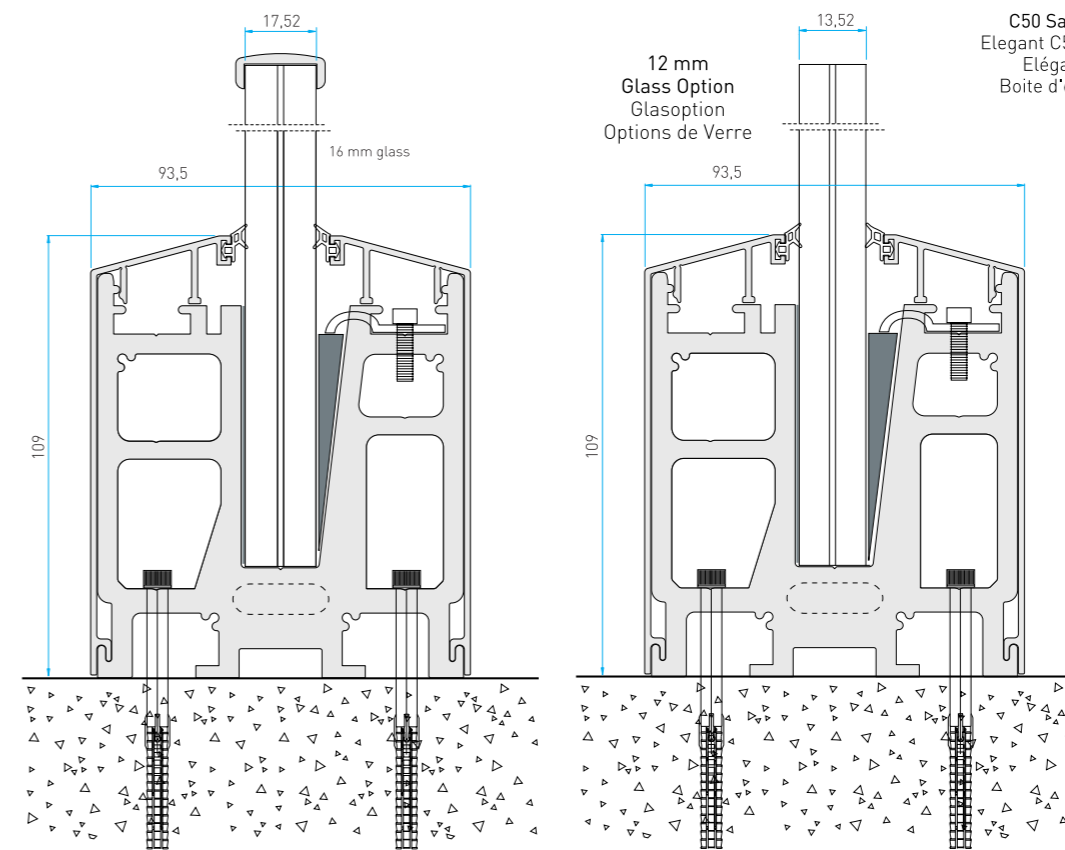
C50-6825
Sealing Profile
Dichtungsprofil
Profilé d'étanchéité



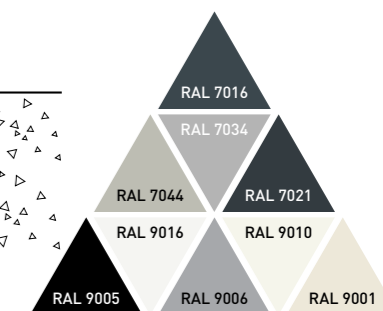
Model Variations / Modelle / Options du modèle



Adjustable block option for not flat grounds
Einstellbares Gehäuse für unebene Böden
Option de bloc réglable pour un terrain accidenté



Packaging
Verpackung
L'emballage du produit





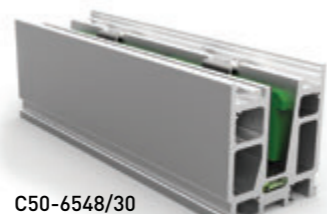
TR2011/09444
TR2014/08207



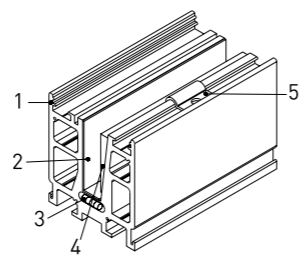
Glass Support Base Shoes



C50-6548



C50-6548/30



- 1- C50-6548
- 2- Spacer
- 3- Bubble Level
- 4- Plastic Wedge
- 5- Wedge Locking

Full Length Base Channel Profile



P-1001
9,50 kg/m



- C50-KMS12 Wedge set for 6+6 mm Glass
- C50-KMS16 Wedge set for 8+8 mm Glass
- C50-KMS20 Wedge set for 10+10 mm Glass

Code	C50-5280	C50-5280/30	C50-6548	C50-6548/30	C50-6844	C50-6844/30	P-1001	P-1006
Length	15 cm	30 cm	15 cm	30 cm	15 cm	30 cm	200 cm	200 cm
Glass Thickness	12,4mm/ 13,52 mm Glass		16,4mm/ 17,52 mm Glass		20,4mm/ 21,52 mm Glass		12,4 / 17,52 mm	20,4 / 21,52 mm
Prefabricated	✓	✓	✓	✓	✓	✓	Upon Request	Upon Request
Plastic Wedge	Included	Included	Included	Included	Included	Included	X	X
Spacer	Included	Included	Included	Included	Included	Included	X	X
Wedge Locking	Included	Included	Included	Included	Included	Included	X	X

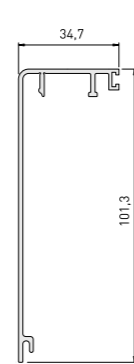
Covers



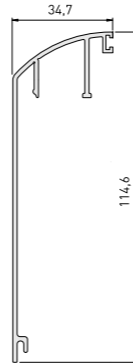
P-1002
0,710 kg/m
(C50-6549)



P-1003
0,680 kg/m
(C50-6577)



P-1004
0,770 kg/m
(C50-6596)



Endcaps



C50-1002K



C50-1003K



C50-1004K



C50-1002BK

Gaskets

Glass Thickness		C50	
10 mm	Interior Gasket	CNT-029	
	Outer Gasket	CNT-025	
12 mm (13,76 mm)	Interior Gasket	CNT-026	
	Outer Gasket	CNT025	
16 mm (17,52 mm)	Interior Gasket	CNT025	
	Outer Gasket	CNT-025	
20 mm (21,52 mm)	Interior Gasket	CNT-025	
	Outer Gasket	CNT-025	

• Epdm gaskets are sold on a box basis.

Fixing Components



AK-5027K
Chemical Anchor



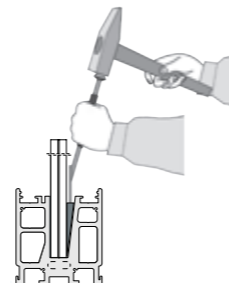
BTS-GJ8X150
M8 x 150 Threaded Rod + Washer + Nut



BTS-KB10X140



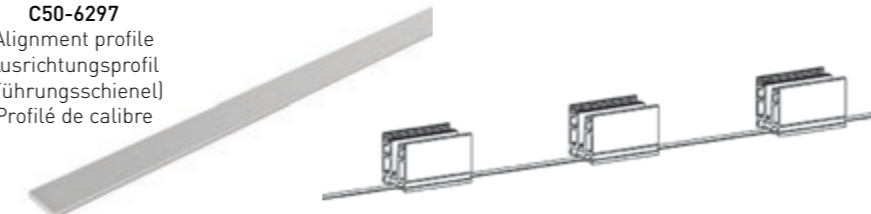
AK-5299
Wedge Fixing Tool



ELEGANT SERIES C50

Alignment Profiles

C50-6297
Alignment profile
Ausrichtungsprofil
(Führungsschiene)
Profilé de calibre



C50-6825
Sealing profile
Dichtungsprofil
Profilé d'étanchéité

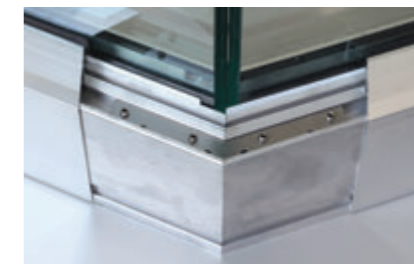
Corner Connector



C50-6549D
90° Corner / Abdeckwinkel
90° Pièce de Retour



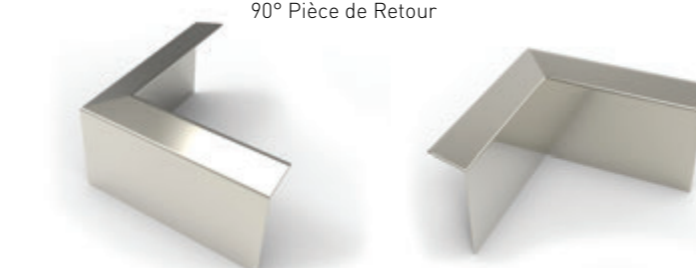
Ready Corners / Eckprofil / Coin prêt à fusionner



C50-6548/45DG

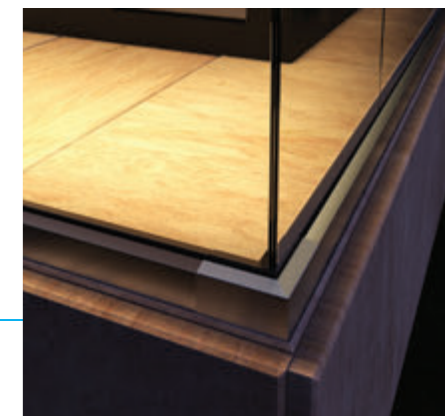


C50-6548/90DG



C50-6549-90A

C50-6549-90B



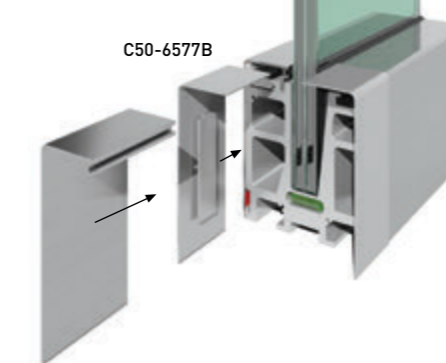
Cover Merge Caps



C50-6549B



C50-6596B

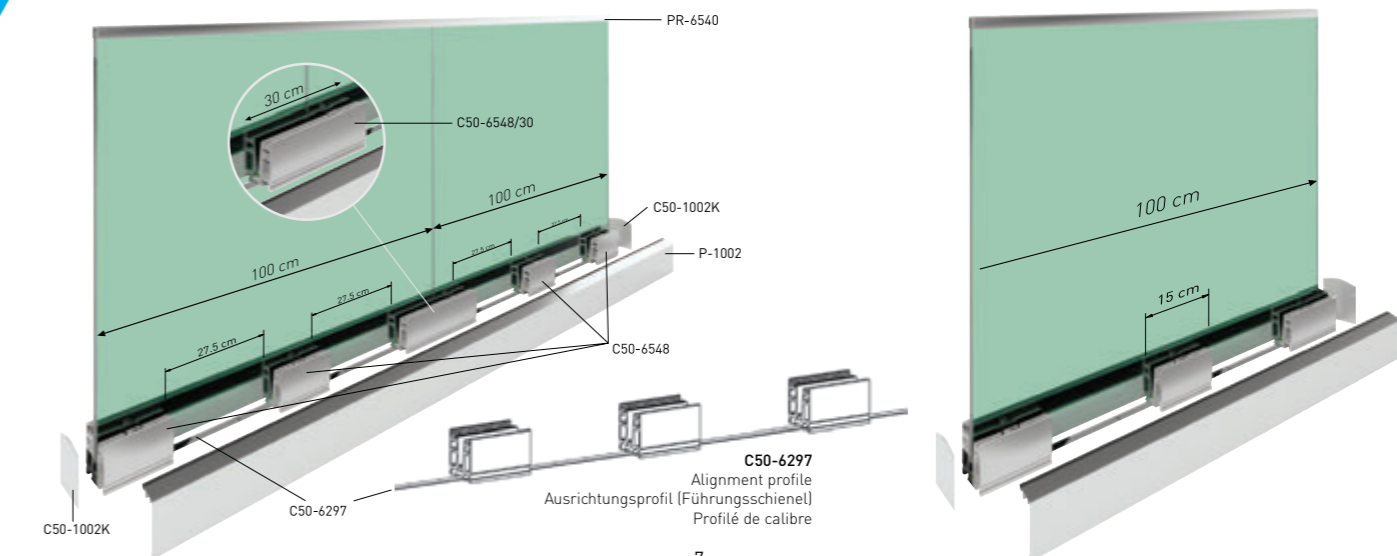


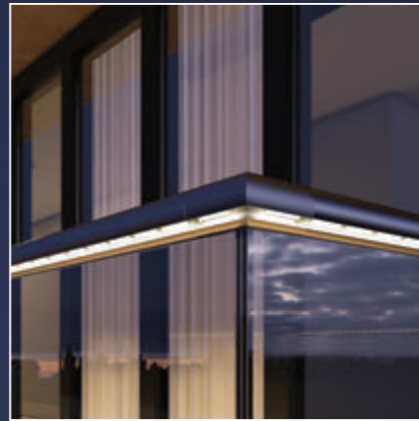
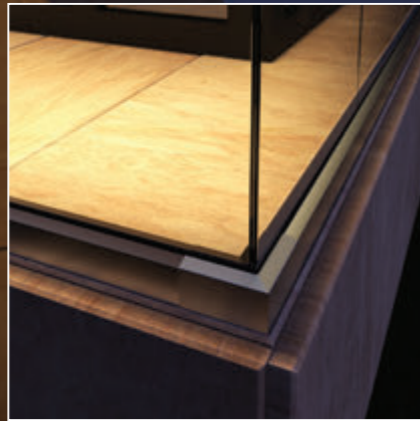
C50-6577B



You can watch the installation video of this system on Youtube BTS Aluminium TV Channel. Sie können das Installationsvideo dieses Systems auf Youtube BTS Aluminium TV ansehen. Vous pouvez regarder la vidéo de l'installation de ce système sur la chaîne Youtube BTS Aluminium TV.

Installation Details





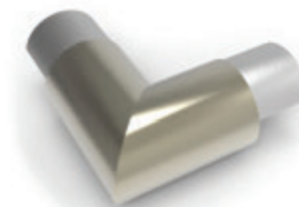
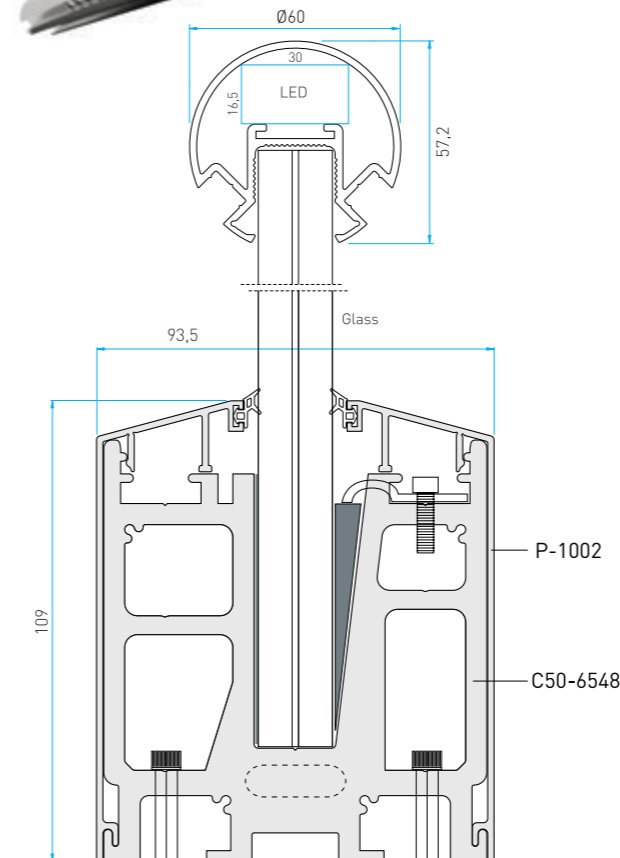
PR-8102



🇬🇧 The beauty of slight light in the darkness of night ... Catch the visuality at night and guide your way with LED light slotted channel profile which is adapted on C50 system.

🇩🇪 Leuchtende Linien in der Dunkelheit ... Hüllen Sie Ihr Gebäude bei Nacht mit LED-Lichtlinien in einen dynamischen Lichterglanz. Sie unterstreicht den Stellenwert einer hochwertigen Fassadenbeleuchtung als Aufmerksamkeitsmagnet und Imageträger.

🇫🇷 La beauté de la lumière raffinée dans l'obscurité de la nuit ... Saisissez des images de nuit grâce au profil de LED qu'on a adapté sur le système C50. Permettez cette luminosité de devenir votre guide dans la nuit.



AK-8102D



AK-5190



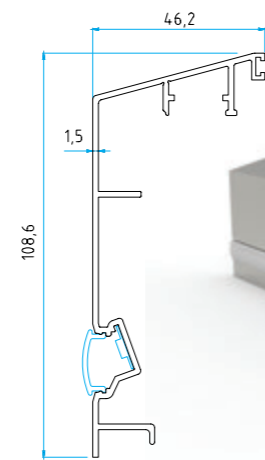
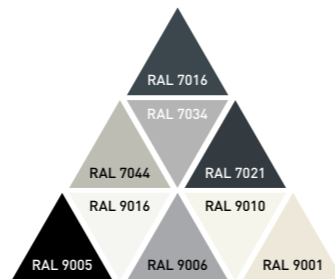
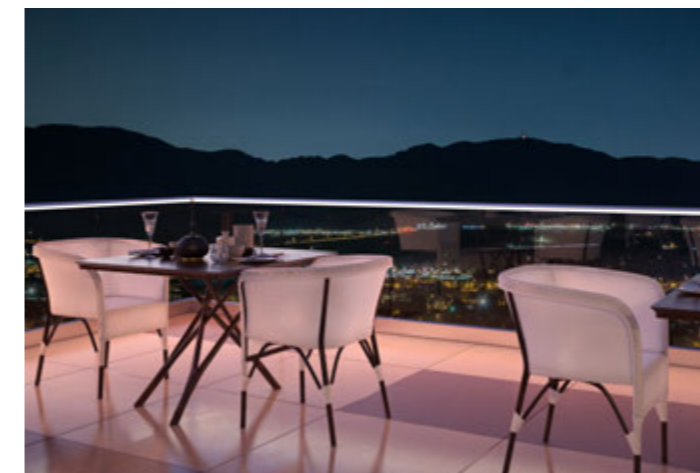
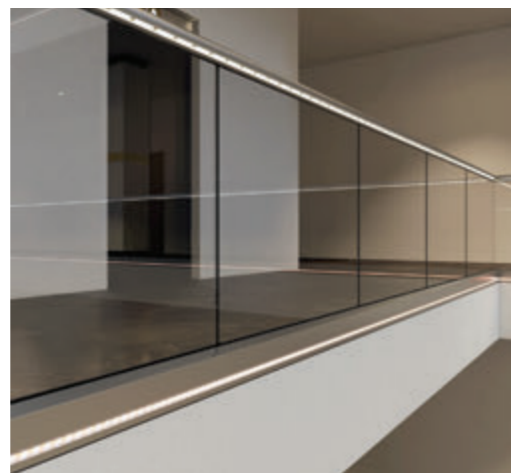
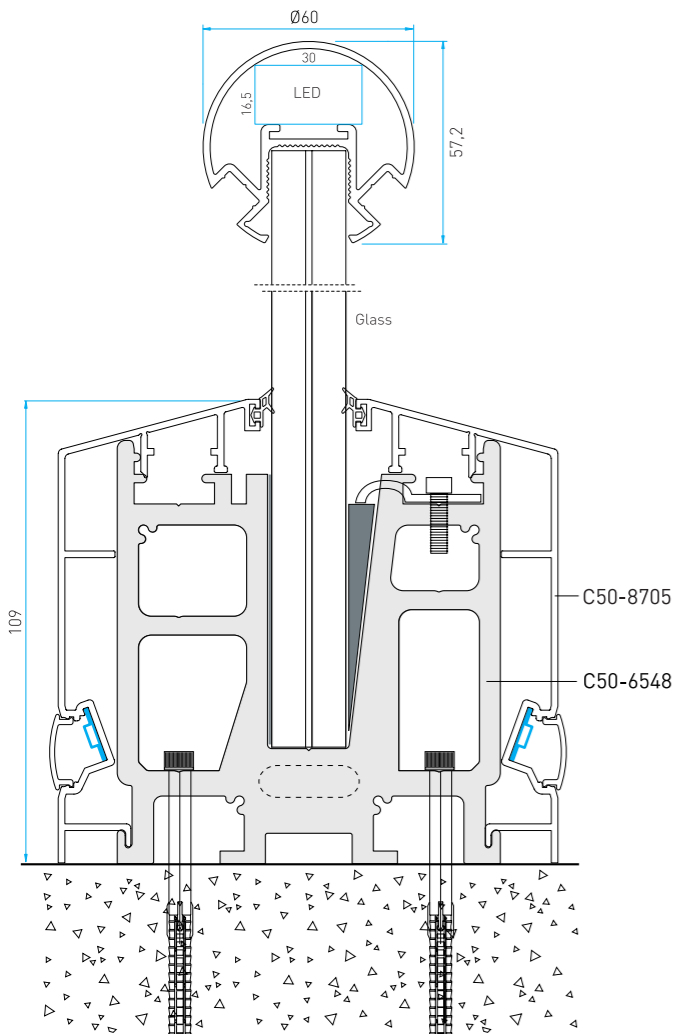
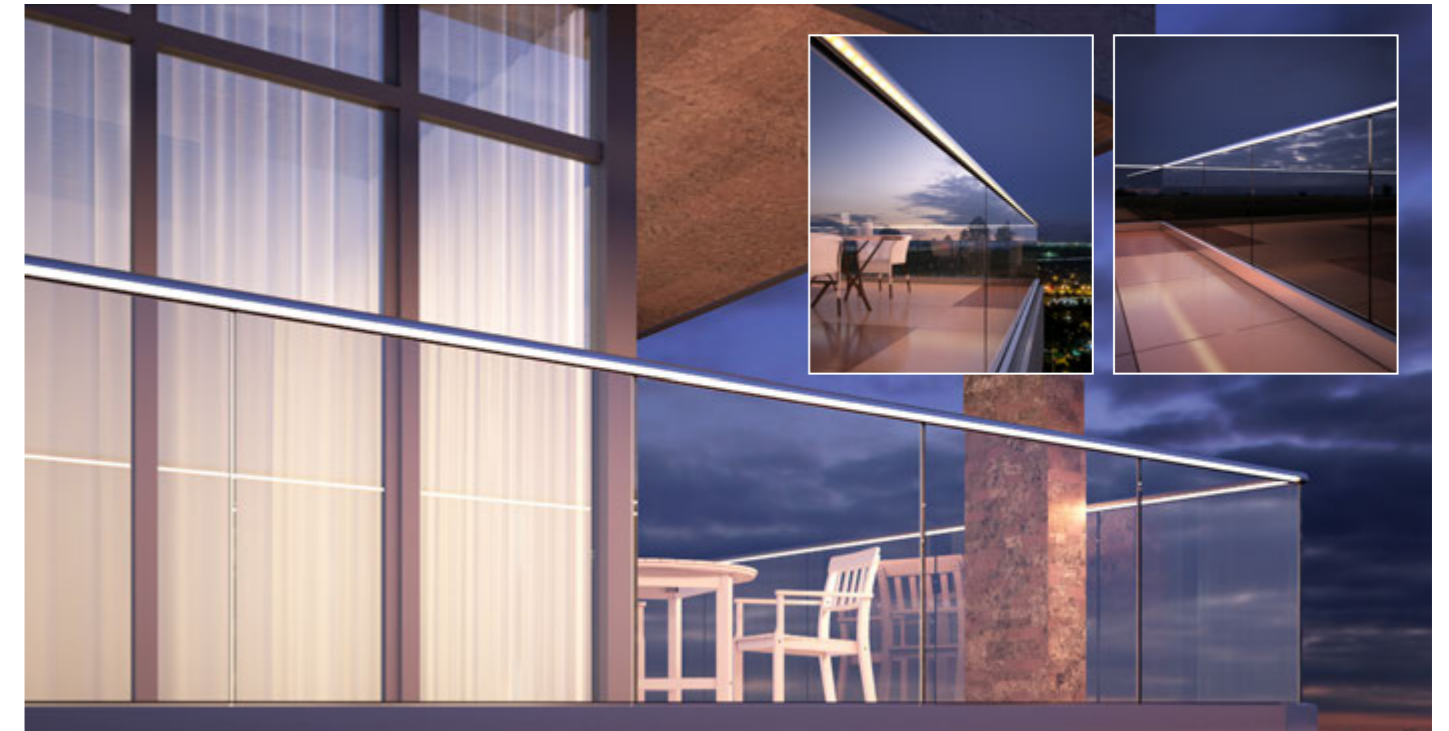
AK-5189



AK-8102B



You can watch the installation video of this system on Youtube BTS Aluminium TV Channel. Sie können das Installationsvideo dieses Systems auf Youtube BTS Aluminium TV ansehen. Vous pouvez regarder la vidéo de l'installation de ce système sur la chaîne Youtube BTS Aluminium TV.



C50-8705



PR-9183



You can watch the installation video of this system on Youtube BTS Aluminium TV Channel. Sie können das Installationsvideo dieses Systems auf Youtube BTS Aluminium TV ansehen. Vous pouvez regarder la vidéo de l'installation de ce système sur la chaîne Youtube BTS Aluminium TV.



new



ELEGANT SERIES C50+

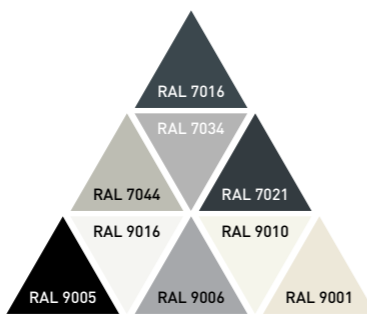
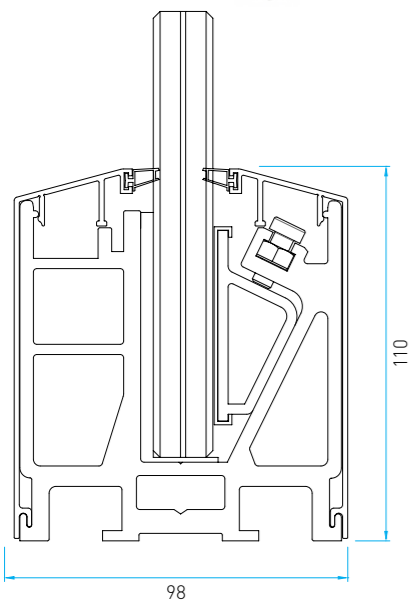
C50+ is the alternative system to C50 which has a glass fixing wedge in aluminium material. The system is used with 15 cm base and 30 cm base supports.

C50+ has the same cover claddings as the C50 system, and it is also compatible with 6+6 mm, 8+8 mm, and 10+10 mm glass thicknesses.

C50+ ist ein System, das eine Alternative zu C50 darstellt und über einen Gshaltekeil aus Aluminium verfügt. Das System wird mit einem 15-cm-Sockel und 30-cm-Sockelstützen verwendet. Das C50+ verfügt über die gleichen Abdeckungsoberflächen wie das C50-System und ist außerdem mit 6+6 mm, 8+8 mm und 10+10 mm kompatibel.

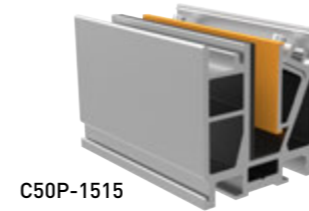
C50+ est le système alternatif à C50 qui a une cale de fixation de verre en aluminium. Le système est utilisé avec des bloc de support de 15 cm et de 30 cm.

C50+ a les mêmes profilés de couverture que le système C50, et il est également compatible avec des épaisseurs de verre de 6+6 mm, 8+8 mm et 10+10 mm.

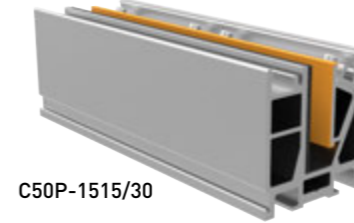


ELEGANT SERIES C50+

Glass Support Base Shoes



C50P-1515



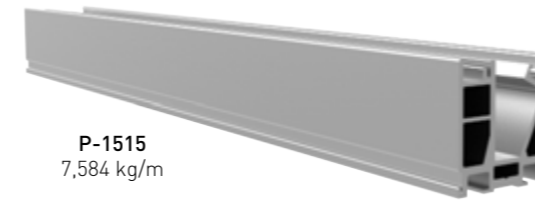
C50P-1515/30

Gaskets

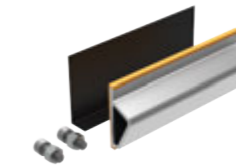
Glass Thickness		C50+
10 mm	Interior Gasket	CNT-029
	Outer Gasket	CNT-025
12 mm (13,76 mm)	Interior Gasket	CNT-026
	Outer Gasket	CNT025
16 mm (17,52 mm)	Interior Gasket	CNT025
	Outer Gasket	CNT-025
20 mm (21,52 mm)	Interior Gasket	CNT-025
	Outer Gasket	CNT-025

• Epdm gaskets are sold on a box basis.

Full Length Base Channel Profile



P-1515
7,584 kg/m



C50P-KMS12 Wedge set for 6+6 mm Glass
C50P-KMS16 Wedge set for 8+8 mm Glass
C50P-KMS20 Wedge set for 10+10 mm Glass

Code	C50P-1515	C50P-1515/30	C50P-5396	C50P-5396/30
Length	15 cm	30 cm	15 cm	30 cm
Glass Thickness	12 mm / 12,4 mm / 13,52 mm / 16,4 mm / 17,52 mm		20 mm / 21,52 mm	
Prefabricated	✓	✓	✓	✓
Glass Fixing	Included	Included	Included	Included
Spacer	Included	Included	Included	Included

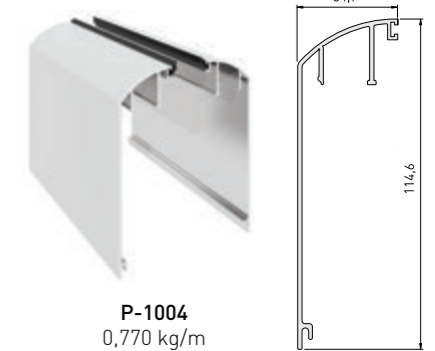
Covers



P-1002
0,710 kg/m



P-1003
0,680 kg/m



P-1004
0,770 kg/m

Endcaps



C50-1002K



C50-1003K



C50-1004K

Fixing Components



AK-5027K
Chemical Anchor



BTS-GJ10X150
M8 x 150 Threaded Rod
+ Washer + Nut



BTS-KB10X140





new

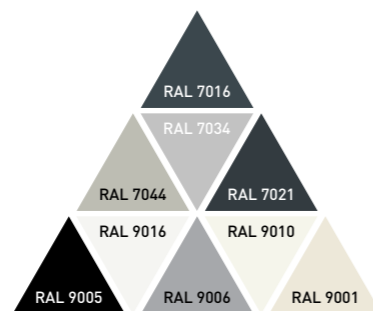
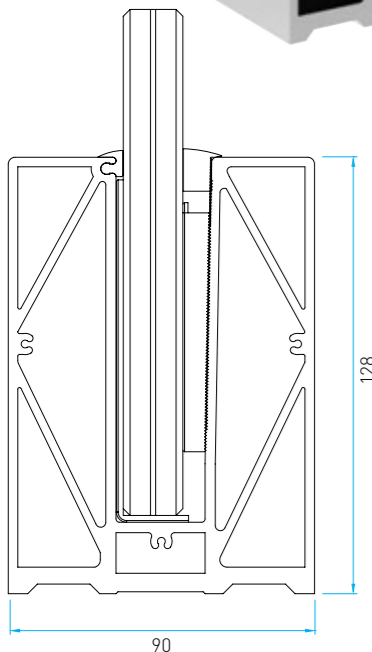
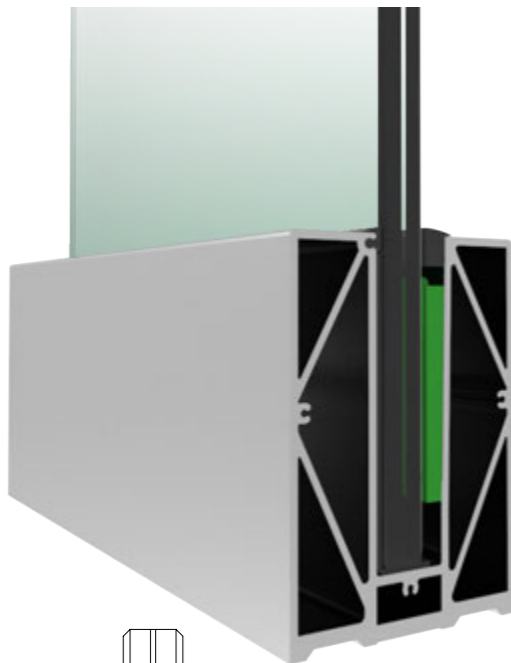


ELEGANT SERIES A50

✚ A50 is one of the newest glass railing base profiles of BTS systems. Thanks to its massive volume and impressive view it gives trust to users. A50 has a 90 mm total width and 128 mm total height which is suitable for large base applications. Glass holding depth of 107 mm gives extra strength on high loads. It's suitable for 12 mm, 17,52 mm, and 21,52 mm glass thickness. The Glass fixing method is with a simple plastic wedge. A50 is available in RAL colors like 7016, 9005, 9016, and 7044.

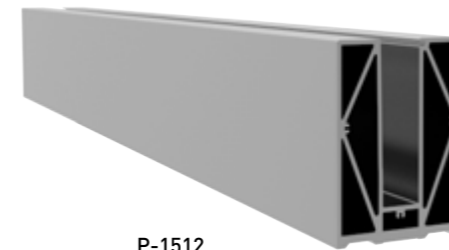
🇩🇪 A50 ist einer der neuesten Glasprofil-Geländersockel von BTS Systeme (Gebäudesysteme). Dank seiner enormen Größe und seines beeindruckenden Erscheinungsbilds gibt es den Benutzern Vertrauen. Die Gesamtbreite des A50 beträgt 90 mm und die Gesamthöhe 128 mm. Diese Abmessungen eignen sich für Anwendungen mit großen Sockeln. Die Glashalttiefe von 107 mm sorgt für zusätzliche Festigkeit bei hohen Belastungen. Es ist für Glasstärken von 12 mm, 17,52 mm und 21,51 mm geeignet. Die Glaserkennungsmethode ist ein einfacher Kunststoffkeil. A50 ist in den RAL-Farben 7016, 9005, 9016 und 7044 erhältlich.

🇫🇷 A50 est l'un des nouveaux profilés de garde-corps en verre des systèmes BTS. Grâce à son volume massif et à sa vue impressionnante, rassurer les utilisateurs. A50 a une largeur totale de 90 mm et une hauteur totale de 128 mm qui convient aux grandes utilisations. La profondeur de maintien de verre de 107 mm donne une force supplémentaire sur les charges élevées. Il convient à 12 mm, 17,52 mm, et 21,52 mm épaisseur de verre. La méthode de fixation du verre est avec un simple cale en plastique. A50 est disponible en couleurs RAL comme 7016, 9005, 9016 et 7044.

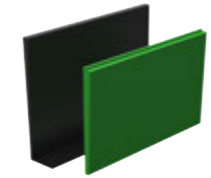


ELEGANT SERIES A50

Full Length Base Channel Profile



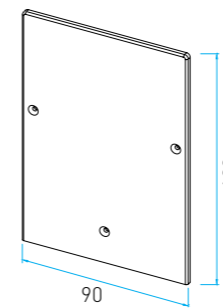
P-1512
7,53 Kg/m



A50-KM12 (Wedge set for 6+6 mm Glass)
A50-KM16 (Wedge set for 8+8 mm Glass)
A50-KM20 (Wedge set for 10+10 mm Glass)

Code	P-1512
Length	500 cm
Weight	7,53 Kg/m
Finish	Powder Coating
Pre Drilled Holes	Upon Request
Glass Thickness	12 mm / 12,76 mm / 17,52 mm / 21,52 mm

Endcap



A50-1512K

Gaskets



Glass Thickness	A50	
12 mm (13,76 mm)	Interior Gasket	CNT-02
	Outer Gasket	CNT-05
16 mm (17,52 mm)	Interior Gasket	CNT-02
	Outer Gasket	CNT-01
20 mm (21,52 mm)	Interior Gasket	CNT-022
	Outer Gasket	CNT-01

• Epdm gaskets are sold on a box basis.



Fixing Components



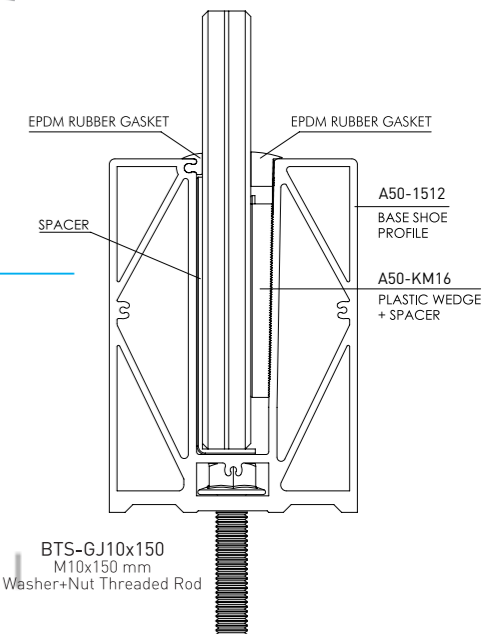
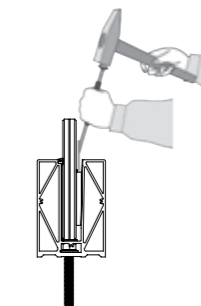
AK-5027K
Chemical Anchor



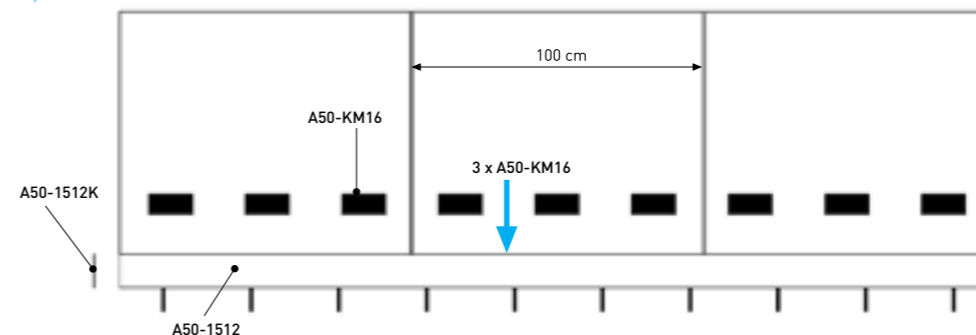
BTS-GJ10x150
M10 x 150 Threaded Rod
+ Washer + Nut



AK-5299
Wedge Fixing Tool



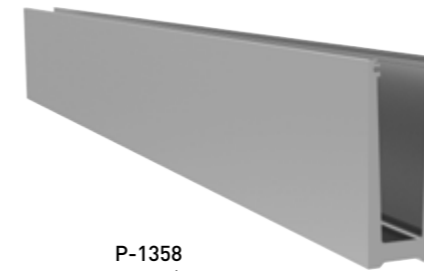
Installation Details



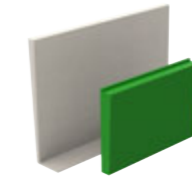


ELEGANT SERIES U50

Full Length Base Channel Profile



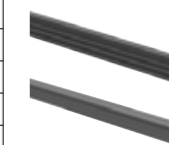
P-1358
5,83 Kg/m



U50-KM12 (Wedge set for 6+6 mm Glass)
U50-KM16 (Wedge set for 8+8 mm Glass)
U50-KM20 (Wedge set for 10+10 mm Glass)

Code	P-1358
Length	600 cm
Weight	5,83 Kg/m
Finish	Natural Anodize / Powder Coating
Pre Drilled Holes	Upon Request
Glass Thickness	12 mm / 12,76 mm / 17,52 mm / 21,52 mm

Gaskets



Glass Thickness	U50	
16 mm (17,52 mm)	Interior Gasket	CNT-09
	Outer Gasket	CNT-08
20 mm (21,52 mm)	Interior Gasket	CNT-010
	Outer Gasket	CNT-08

• Epdm gaskets are sold on a box basis.

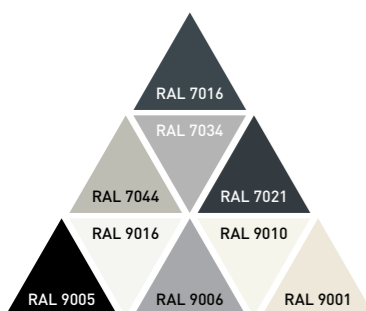
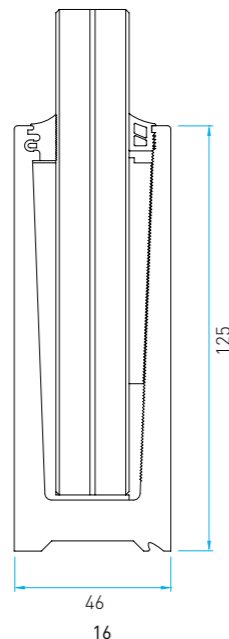


ELEGANT SERIES U50

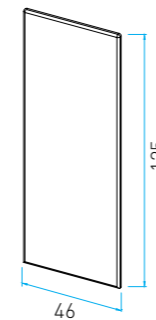
U50 is a slim-design glass railing base channel profile. Thanks to its slim design it covers less space on application area and holds from 12 mm glass to 21.5 mm thick glass. U50 is extruded in 6 m lengths and holes can be fabricated upon request. RAL 9005 and RAL 7016 is the most popular color choice for the U50 series.

U50 ist ein schlank gestaltetes Glasgelaender-Basisprofil. Dank seines duennen Designs nimmt es weniger Platz im Anwendungsbereich ein und kann Glas mit einer Dicke von 12 mm bis 21,5 mm aufnehmen. Der U50 kann in Laengen von 6 Metern gezogen werden und auf Wunsch vorgebohrt werden. RAL 9005 und RAL 7016 sind die beliebtesten Farben fuer die U50-Serie.

U50 est un profilé de garde-corps en verre a conception mince. Grâce à ça il couvre moins d'espace sur la zone d'application et peut contenir du verre de 12 mm à 21,5 mm d'épaisseur. U50 est extrudé en longueurs de 6 m et les trous peuvent être percés sur demande. RAL 9005 et RAL 7016 est le choix de couleur le plus populaire pour la série U50.



Endcap



U50-1358K



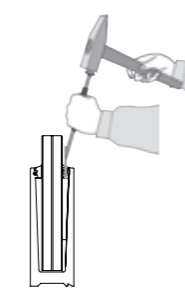
Fixing Components



BTS-VJ10X140
Universal Anchor



AK-5299
Wedge Fixing Tool



17



new

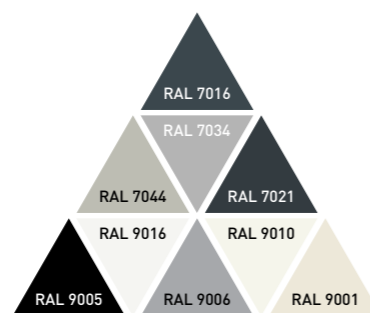
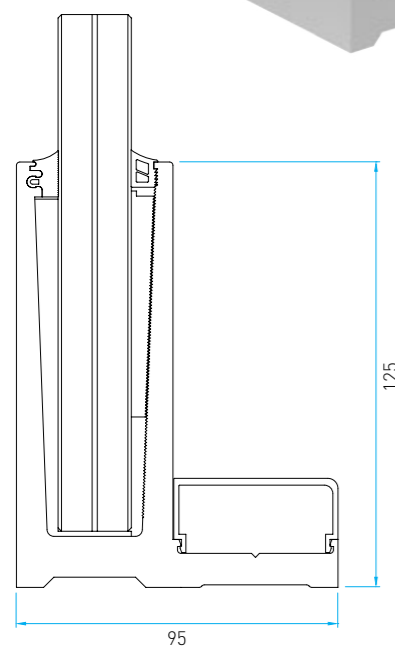


ELEGANT SERIES U50F

U50F is a slim design F type glass railing base channel profile. Thanks to these features it makes it an optimal choice for applications under cement screeds during new constructions. When mounting directly on the floor, this base profile can be covered by a cover profile to hide the installation holes and anchor bolts. It holds from 12 mm glass to 21.5 mm thick glass. U50F is extruded in 6 m lengths and holes can be fabricated upon request. RAL 9005, RAL 7016 is the most popular color choice for U50 series.

U50F ist ein schlankes Glasgeländer-Basisprofil vom Typ F. Diese Eigenschaften machen es zur optimalen Wahl für Anwendungen unter Zementestrichen in Neubauten. Bei der Montage direkt auf dem Boden kann dieses Basisprofil mit einem Abdeckprofil abgedeckt werden, um die Befestigungslöcher und Ankerbolzen zu verbergen. Es ist für Glas mit einer Dicke von 12 mm bis 21,5 mm geeignet. Der U50F kann in Längen bis zu 5 Metern gezogen und auf Wunsch vorgebohrt werden. Die beliebtesten Farben für die U50-Serie sind RAL 9005 und RAL 7016.

U50F est un garde-corps en verre à un profilé mince de type F. Grâce à ces caractéristiques, il est un choix optimal pour les applications sous chapes de ciment lors de nouvelles constructions. Lors du montage directement sur le sol, ce profilé de support peut être recouvert d'un profilé de couverture pour cacher les trous d'installation et les boulons d'ancrage. Il contient du verre de 12 mm à 21,5 mm d'épaisseur. U50F est extrudé en longueurs de 6 m et des trous peuvent être fabriqués sur demande. RAL 9005, RAL 7016 est le choix de couleur le plus populaire pour la série U50.

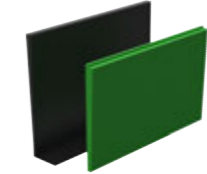


ELEGANT SERIES U50F

Full Length Base Channel Profile



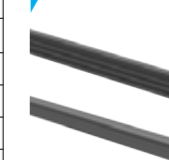
P-1519
7,14 Kg/m



U50-KM12 (Wedge set for 6+6 mm Glass)
 U50-KM16 (Wedge set for 8+8 mm Glass)
 U50-KM20 (Wedge set for 10+10 mm Glass)

Code	P-1519
Length	600 cm
Weight	7,14 Kg/m
Finish	Natural Anodize / Powder Coating
Pre Drilled Holes	Upon Request
Glass Thickness	12 mm / 12,76 mm / 17,52 mm / 21,52 mm

Gaskets



Glass Thickness	U50F	
16 mm (17,52 mm)	Interior Gasket	CNT-09
	Outer Gasket	CNT-08
20 mm (21,52 mm)	Interior Gasket	CNT-010
	Outer Gasket	CNT-08

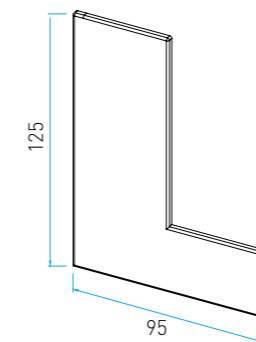
• Epdm gaskets are sold on a box basis.

Cover

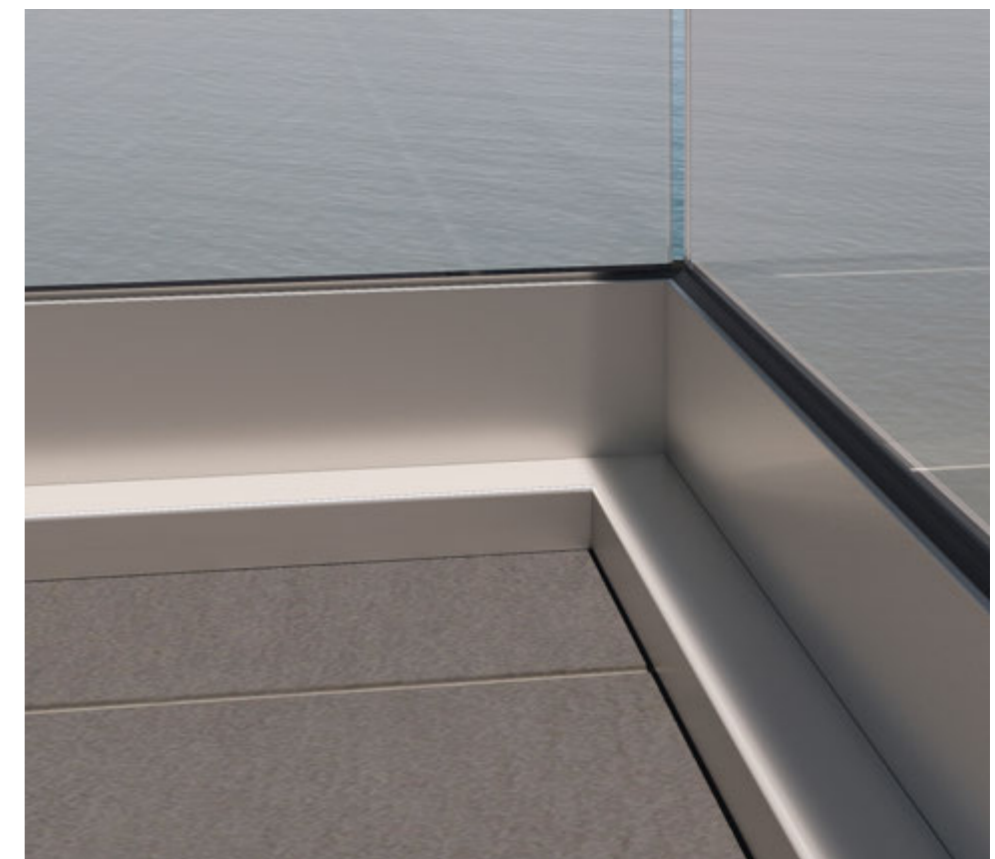


P-1345
0,436 Kg/m

Endcap



U50F-1519K



Fixing Components



AK-5027K
Chemical Anchor



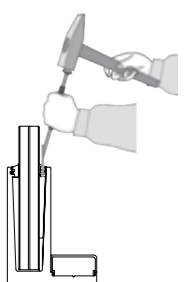
BTS-GJ10X150
M10 x 100 Threaded Rod
+ Washer + Nut



BTS-VJ10X140
Universal Anchor



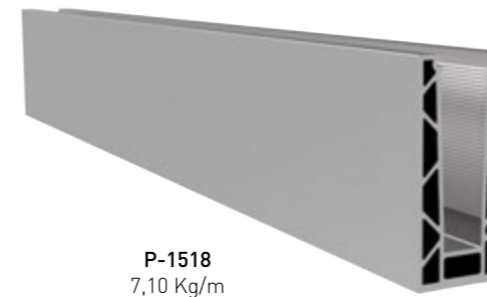
AK-5299
Wedge Fixing Tool



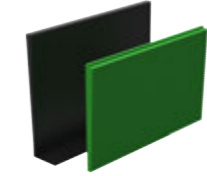


ELEGANT SERIES U50^{Max}

Full Length Base Channel Profile



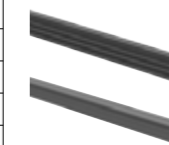
P-1518
7,10 Kg/m



U50M-KM12 (Wedge set for 6+6 mm Glass)
U50M-KM16 (Wedge set for 8+8 mm Glass)
U50M-KM20 (Wedge set for 10+10 mm Glass)

Code	P-1518
Length	600 cm
Weight	7,10 Kg/m
Finish	Natural Anodize / Powder Coating
Pre Drilled Holes	Upon Request
Glass Thickness	12 mm / 12,76 mm / 17,52 mm / 21,52 mm

Gaskets



Glass Thickness	U50 Max	
16 mm (17,52 mm)	Interior Gasket	CNT-09
	Outer Gasket	CNT-08
20 mm (21,52 mm)	Interior Gasket	CNT-010
	Outer Gasket	CNT-08

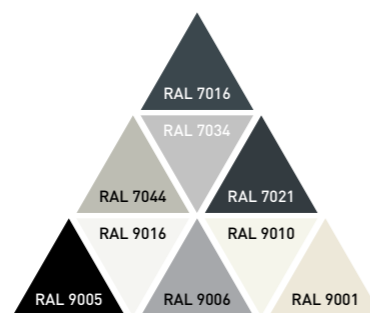
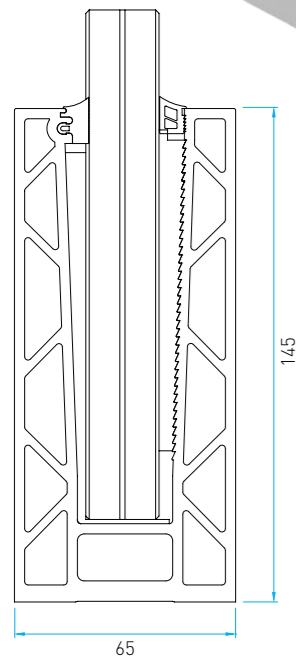
• Epdm gaskets are sold on a box basis.

ELEGANT SERIES U50^{Max}

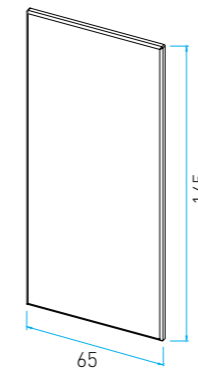
U50 Max series are the most optimal series compared to their performance and weight. Thanks to its compelling shape it performs the strongest resistance against heavy loads. Slim design and correct engineering combine to give the highest results for A plus projects. U50 Max series are compatible from 6+6 mm to 21,52 mm glass thickness. The extruded profile can be pre-drilled upon request and the most popular colors for U50 Max series are RAL9005, RAL7016, RAL7044

Die U50 Max-Serie ist im Vergleich von Leistung und Gewicht die optimalste Serie. Dank seiner untypischen Form bietet es den stärksten Widerstand gegen schwere Lasten. Schmales Design und präzise Technik vereinen sich, um die besten Ergebnisse für A-Plus-Projekte zu erzielen. Die U50 Max-Serie ist mit Glasstärken von 6+6 mm bis 21,52 mm kompatibel. Das gezogene Profil kann auf Wunsch vorgebohrt werden, wobei die beliebtesten Farben für den U50 Max sRAL9005, RAL7016, RAL7044 sind.

Les séries U50 Max sont les séries les plus optimales par rapport à leurs performances et leur poids. Grâce à sa forme convaincante, il offre une résistance maximale contre les charges lourdes. Une conception mince et une ingénierie correcte se combinent pour donner les meilleurs résultats pour les projets A plus. Les séries U50 Max sont compatibles au verre de 6+6mm à 10+10 mm d'épaisseur. Le profilé extrudé peut être pré-percé sur demande et les couleurs les plus populaires pour la série U50 Max sont RAL9005, RAL7016, RAL7044



Endcap



U50M-1518K



Fixing Components



AK-5027K
Chemical Anchor



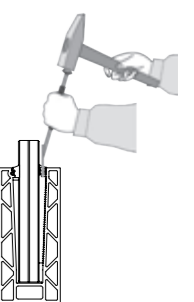
BTS-GJ10X150
M10 x 100 Threaded Rod
+ Washer + Nut



BTS-KB10X140



AK-5299
Wedge Fixing Tool

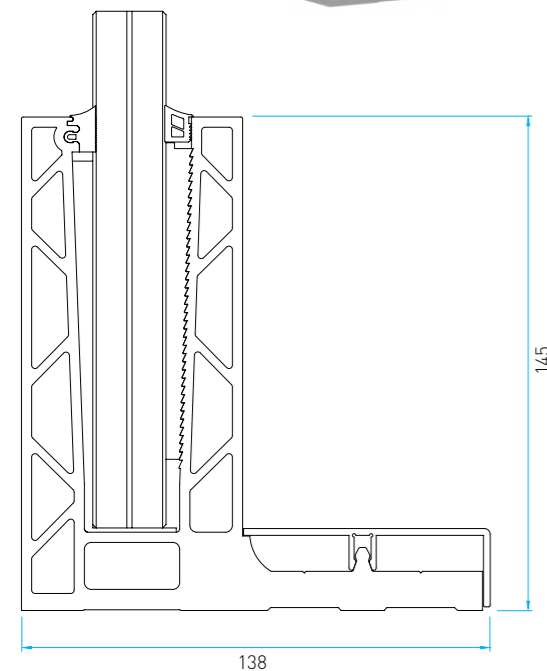




new



ELEGANT SERIES U50F^{Max}

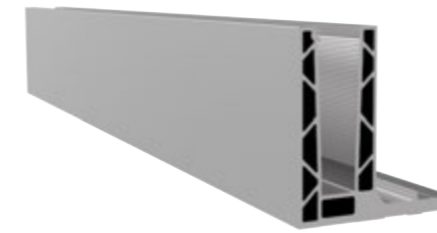


U50F Max series are the most optimal series compared to their performance and weight. Thanks to its compelling shape it performs the strongest resistance against heavy loads. F type Slim design and correct engineering combine to give the highest results for A plus projects U50F Max gives the possibility to affix the profile 83 mm inside the application from the edge. The cover cladding profile hides the fixations for aesthetic view. U50F Max is compatible with 6+6 mm to 21,52 mm glass thickness. The extruded profile can be pre-drilled upon request and the most popular colors for the U50 Max series are RAL9005, RAL7016, RAL7044.

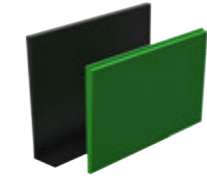
U50F Max series are the most optimal series compared to their performance and weight. Thanks to its compelling shape it performs the strongest resistance against heavy loads. F type Slim design and correct engineering combine to give the highest results for A plus projects U50F Max gives the possibility to affix the profile 83mm inside the application from the edge. The cover cladding profile hides the fixations for aesthetic view. U50F Max is compatible with 6+6mm to 21,52mm glass thickness. The extruded profile can be pre-drilled upon request and the most popular colors for the U50 Max series are RAL9005, RAL7016, RAL7044.

Les séries U50F Max sont les séries les plus optimales par rapport à leurs performances et leur poids. Grâce à sa forme convaincante, il offre une résistance maximale contre les charges lourdes. Une conception mince de Type F et une ingénierie correcte se combinent pour donner les meilleurs résultats pour les projets A plus. U50F Max donne la possibilité d'apposer le profilé 83 mm à l'intérieur de l'application à partir du bord. Le profilés de couverture cache les fixations pour une vue esthétique. U50F Max est compatible avec 6+6 mm à 21,52 mm d'épaisseur de verre. Le profil extrudé peut être pré-percé sur demande et les couleurs les plus populaires pour la série U50 Max sont RAL9005, RAL7016, RAL7044.

Full Length Base Channel Profile



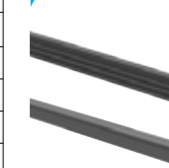
P-1522
9,84 Kg/m



U50M-KM12 (Wedge set for 6+6 mm Glass)
U50M-KM16 (Wedge set for 8+8 mm Glass)
U50M-KM20 (Wedge set for 10+10 mm Glass)

Code	P-1522
Length	400 cm
Weight	9,84 Kg/m
Finish	Natural Anodize / Powder Coating
Pre Drilled Holes	Upon Request
Glass Thickness	12 mm / 12,76 mm / 17,52 mm / 21,52 mm

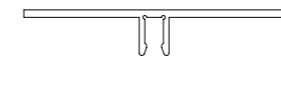
Gaskets



Glass Thickness	U50F Max	
16 mm (17,52 mm)	Interior Gasket	CNT-09
	Outer Gasket	CNT-08
20 mm (21,52 mm)	Interior Gasket	CNT-010
	Outer Gasket	CNT-08

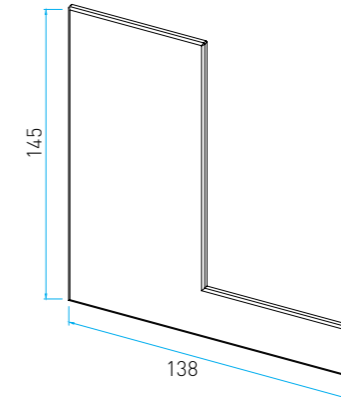
• Epdm gaskets are sold on a box basis.

Cover

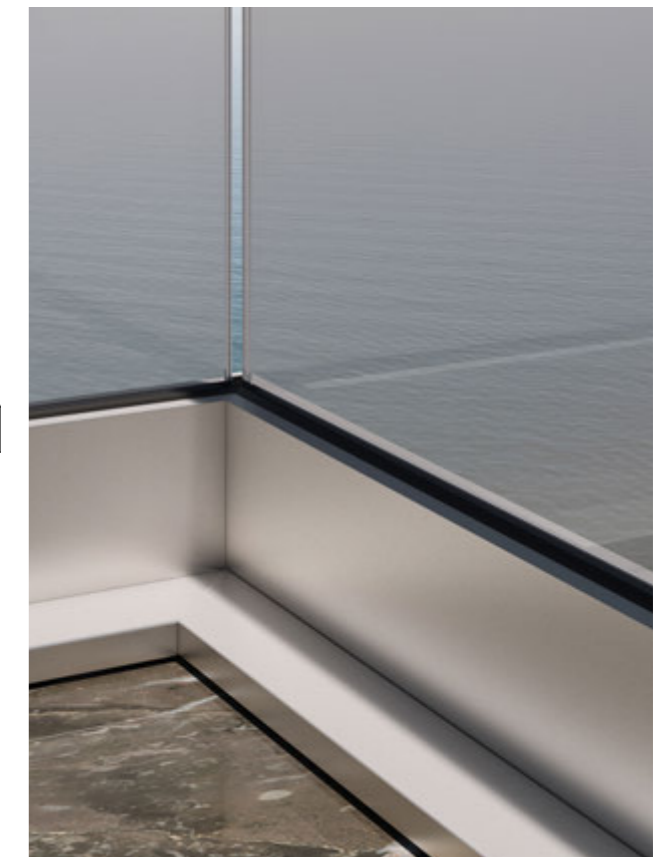
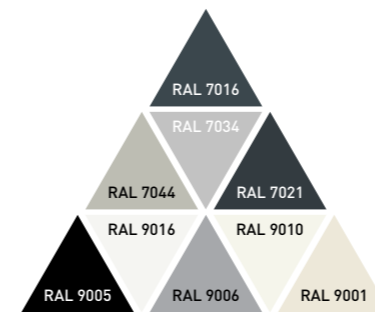


P-AL7405
0,620 Kg/m

Endcap



U50FM-1522K



Fixing Components



AK-5027K
Chemical Anchor



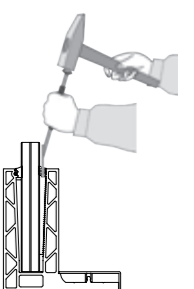
BTS-GJ10X10
M10 x 100 Threaded Rod
+ Washer + Nut



BTS-KB10X140



AK-5299
Wedge Fixing Tool

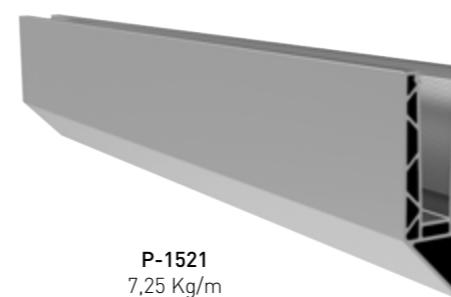




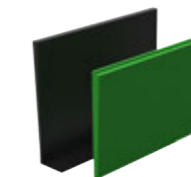
new



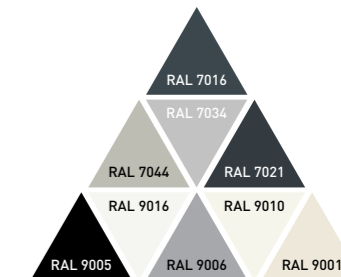
Full Length Base Channel Profile



P-1521
7,25 Kg/m

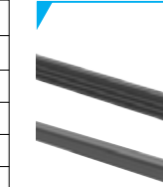


U50M-KM12 (Wedge set for 6+6 mm Glass)
U50M-KM16 (Wedge set for 8+8 mm Glass)
U50M-KM20 (Wedge set for 10+10 mm Glass)



Code	P-1521
Length	600 cm
Weight	7,25 Kg/m
Finish	Mill Finish
Pre Drilled Holes	Upon Request
Glass Thickness	12 mm / 12,76 mm / 17,52 mm / 21,52 mm

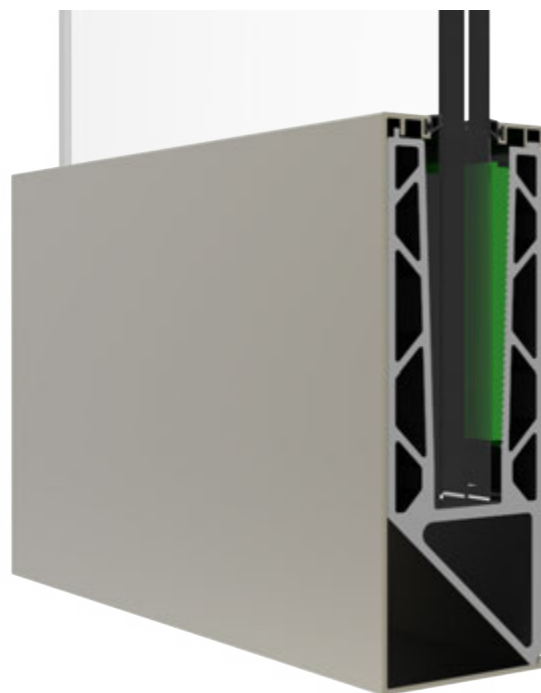
Gaskets



Glass Thickness	U50R Max	
16 mm (17,52 mm)	Interior Gasket	CNT-29
	Outer Gasket	CNT-025
20 mm (21,52 mm)	Interior Gasket	CNT-026
	Outer Gasket	CNT-025

• Epdm gaskets are sold on a box basis.

ELEGANT SERIES U50R^{Max}



U50R Max series are the most optimal series compared to their performance and weight. U50R Max is a side mount glass channel profile with a compelling shape it performs the strongest resistance against heavy loads. F type Slim design and correct engineering combine to give the highest results for A plus projects. External cover cladding and internal slim cover cladding hide the installation details like holes. U50R Max series are compatible with 6+6 mm glass to 21,52 mm glass thickness. The extruded profile can be pre-drilled upon request and the most popular colors for U50R cover cladding profiles are RAL9005, RAL7016, RAL7044

Die U50R Max-Serie ist im Vergleich von Leistung und Gewicht die optimalste Serie. U50R Max ist ein seitlich montierbares Glaskanalprofil mit einer untypischen Form. Es bietet den stärksten Widerstand gegen schwere Lasten. Das schlanke Design des F-Typs und die präzise Technik sorgen zusammen für maximale Ergebnisse bei A-Plus-Projekten. Die äußere Abdeckung verbirgt Montagedetails wie Bohrlöcher. Die U50R Max-Serie ist mit Glasstärken von 6+6 mm bis 21,52 mm kompatibel. Das gezogene Profil kann auf Wunsch vorgebohrt werden, wobei die beliebtesten Farben für U50R-Abdeckungsverkleidungsprofile RAL9005, RAL7016 und RAL7044 sind.

Les séries U50R Max sont les séries les plus optimales par rapport à leurs performances et leur poids. U50R Max à montage latéral (à l'anglaise) et à sa forme convaincante, il offre une résistance maximale contre les charges lourdes. Une conception mince et une ingénierie correcte se combinent pour donner les meilleurs résultats pour les projets A plus. Les profilés de couverture externe et interne cachent les détails de l'installation comme les trous. Les séries U50R Max sont compatibles avec le verre de 6+6 mm à 21,52 mm d'épaisseur. Le profil extrudé peut être pré-percé sur demande et les couleurs les plus populaires pour les profilés de couverture U50R sont en RAL9005, RAL7016, RAL7044



Cover

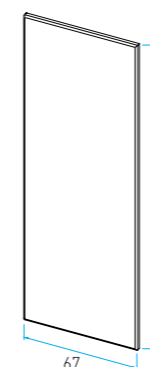


P-1520
1,45 Kg/m



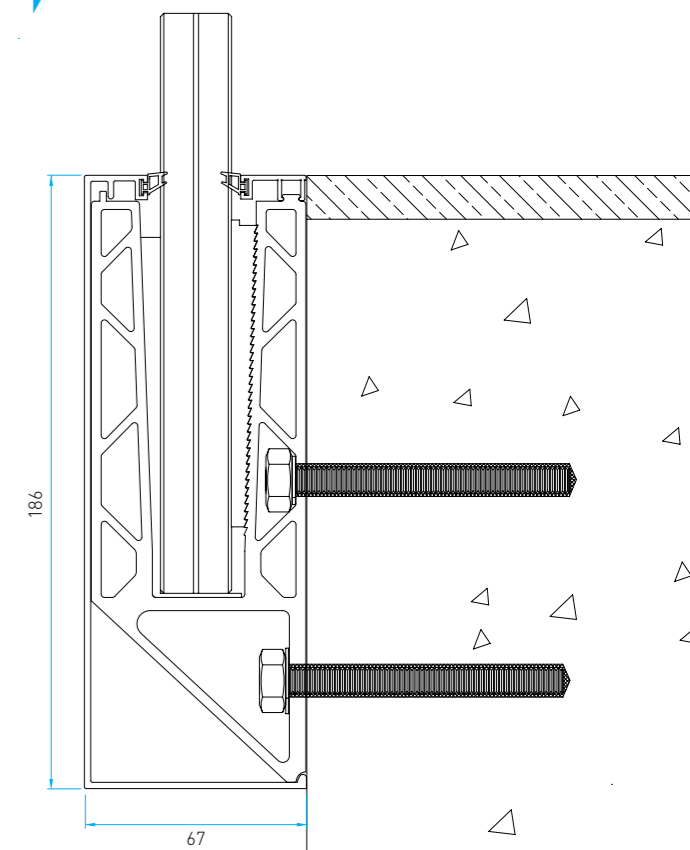
P-AL9205
0,140 Kg/m

Endcap



U50RM-1521K

Installation Details



Fixing Components



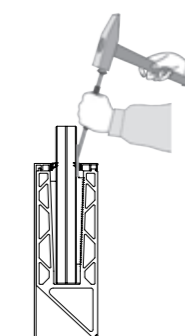
AK-5027K
Chemical Anchor



BTS-GJ10X10
M10 x 100 Threaded Rod
+ Washer + Nut



AK-5299
Wedge Fixing Tool





new

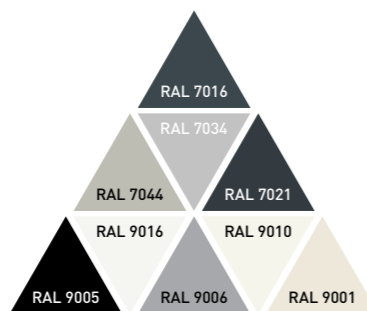
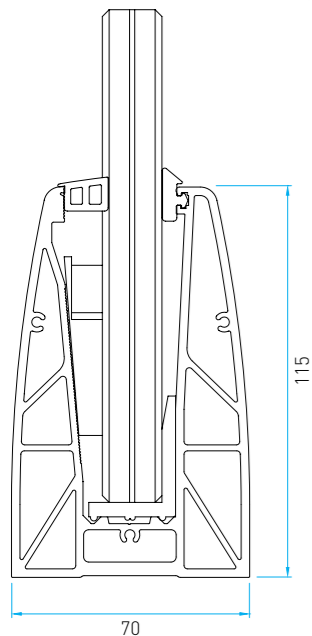


ELEGANT SERIES EX50

EX50 is a full-length profile that can be extruded in 5 meter lengths. Thanks to its slim and soft design it adds value to A plus projects with its optimum weight and strength. EX50 can be pre-drilled for easy installation and it has simple glass fixing wedges. EX50 is suitable for 6+6 mm, 8+8 mm, and 10+10 mm glass thickness. Surface treatment can powder coated like most popular colors RAL 7016, RAL 9005, RAL 7044 or natural anodized.

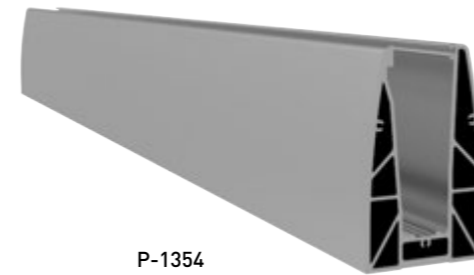
Der EX50 ist ein Langprofil, das in Längen bis zu 5 Metern gezogen werden kann. Dank seines dünnen und anpassenden Designs, sowie mit seinem optimalen Eigengewicht und Festigkeit einen Mehrwert für A-Plus-Projekte. Der EX50 kann vorgebohrt werden und verfügt über einfache Glashalteverriegelung für eine einfache Montage. EX50 ist für Glasstärken von 6+6mm, 8+8mm und 10+10mm geeignet. Die Oberflächenbehandlung kann mit den gängigsten Farben wie RAL 7016, RAL 9005, RAL 7044 pulverbeschichtet oder natur anodisiert sein.

EX50 est un profilé entier qui peut être extrudé dans des longueurs de 5 mètres. Grâce à sa conception mince et doux, il ajoute de la valeur aux projets A plus avec son poids et sa résistance optimaux. EX50 peut être pré-percé pour une installation facile et il a des simple cale de fixation de verre. EX50 adéquat au verre 6+6 mm, 8+8 mm et 10+10 mm d'épaisseur. Le traitement de surface peut être laqué des couleurs les plus populaires RAL 7016, RAL 9005, RAL 7044 ou anodisé naturel.

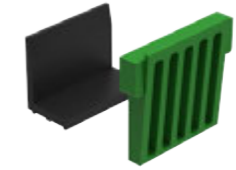


ELEGANT SERIES EX50

Full Length Base Channel Profile



P-1354
4,50 Kg/m



EX50-KM12 (Wedge set for 6+6 mm Glass)
EX50-KM16 (Wedge set for 8+8 mm Glass)
EX50-KM20 (Wedge set for 10+10 mm Glass)

Code	P-1354
Length	500 cm
Weight	4,50 Kg/m
Finish	Natural Anodize / Powder Coating
Pre Drilled Holes	Upon Request
Glass Thickness	12 mm / 12,76 mm / 17,52 mm / 21,52 mm

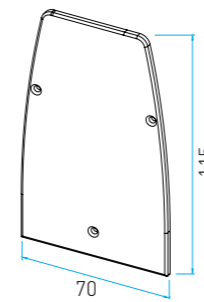
Gaskets



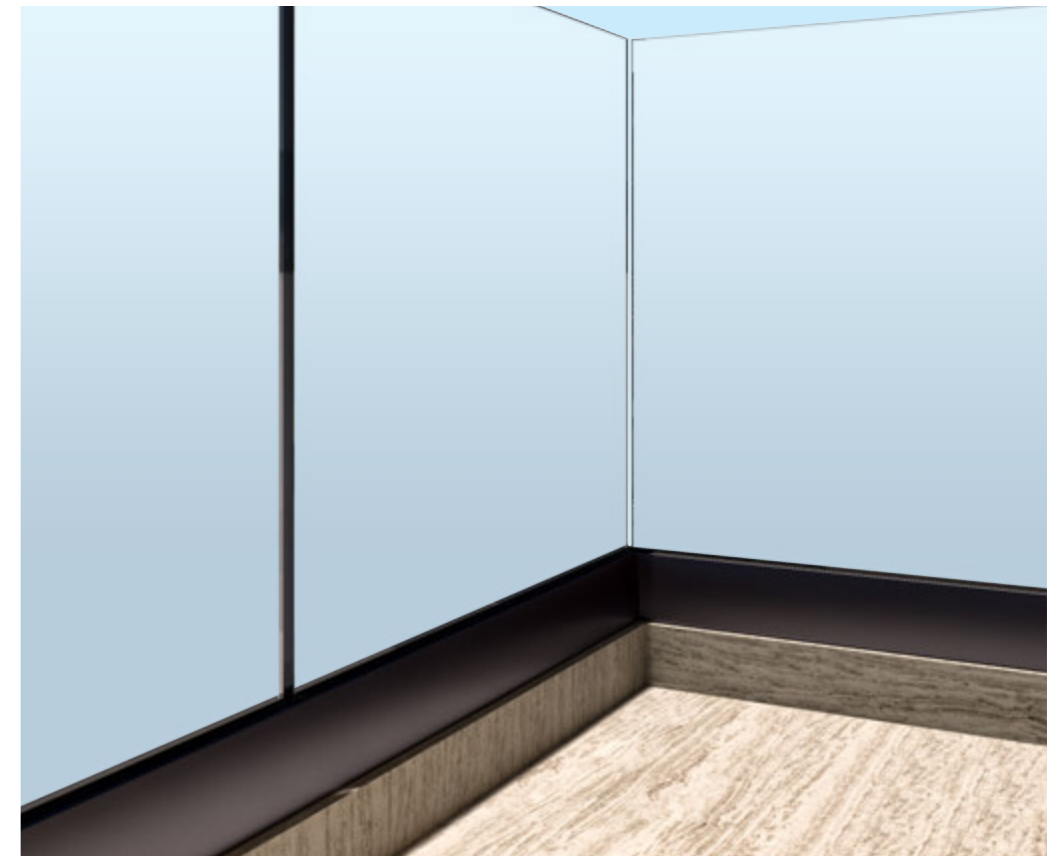
Glass Thickness		EX50
16 mm (17,52 mm)	Interior Gasket	CNT-09
	Outer Gasket	CNT-019
20 mm (21,52 mm)	Interior Gasket	CNT-010
	Outer Gasket	CNT-019

• Epdm gaskets are sold on a box basis.

Endcap



EX50-1354K



Fixing Components



AK-5027K
Chemical Anchor



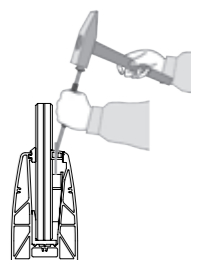
BTS-GJ10X150
M10 x 100 Threaded Rod
+ Washer + Nut



BTS-KB10X140



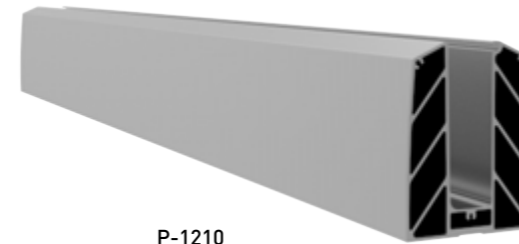
AK-5299
Wedge Fixing Tool





ELEGANT SERIES X50

Full Length Base Channel Profile



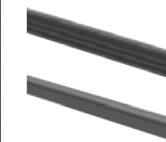
P-1210
4,22 Kg/m



X50-KM10 (Wedge set for 5+5 mm Glass)
X50-KM12 (Wedge set for 6+6 mm Glass)
X50-KM16 (Wedge set for 8+8 mm Glass)

Code	X50-1210
Length	500 cm
Weight	4,22 Kg/m
Finish	Powder Coating / Natural Anodize / Inox Anodize
Pre Drilled Holes	Upon Request
Glass Thickness	10 mm / 12 mm / 12,76 mm / 17,52 mm

Gaskets



Glass Thickness		X50
10 mm	Interior Gasket	CNT-02
	Outer Gasket	CNT-06
12 mm (13,76 mm)	Interior Gasket	CNT-02
	Outer Gasket	CNT-05
16 mm (17,52 mm)	Interior Gasket	CNT-02
	Outer Gasket	CNT-01

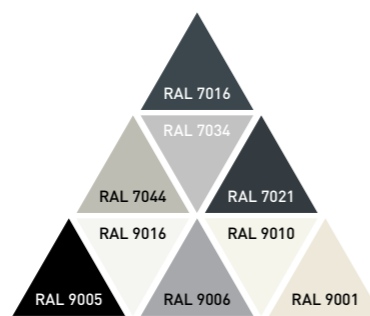
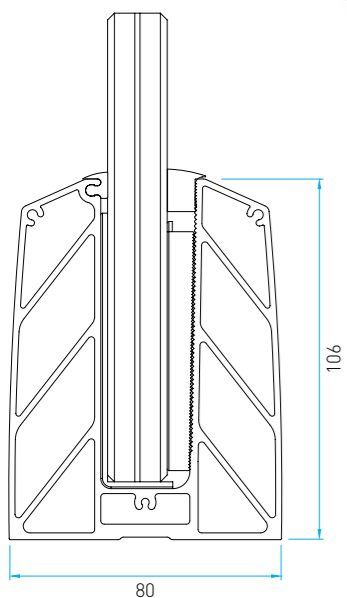
• Epdm gaskets are sold on a box basis.

ELEGANT SERIES X50

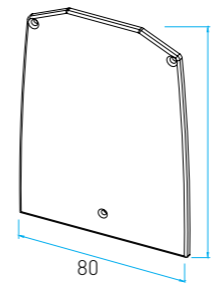
🇩🇪 Design, easy installation, and cost-effectiveness come together in the X50 system. X50 can be extruded in 5 meter length with pre-drilled holes upon request. It is suitable for 10mm, 12 mm, 6+6 mm, 17,52 mm glass thickness. X50 is preferred generally in RAL colors like 7016 and 9005. Natural anodize and Inox anodize are available. the outer shape of the profile gives a soft look for glass railing applications.

🇩🇪 Im X50-System vereinen sich Design, einfache Montage und niedrige Kosten. Auf Wunsch kann der X50 in Längen von 6 Metern mit vorgebohrten Löchern gezogen werden. Es ist für Glasstärken von 10 mm, 12 mm, 6+6 mm, 17,52 mm geeignet. X50 wird im Allgemeinen in den RAL-Farben 7016 und 9005 bevorzugt. Erhältlich in natur anodisiert und Inox anodisiert. Die äußere Form des Profils verleiht Glasgeländeranwendungen ein weiches Aussehen.

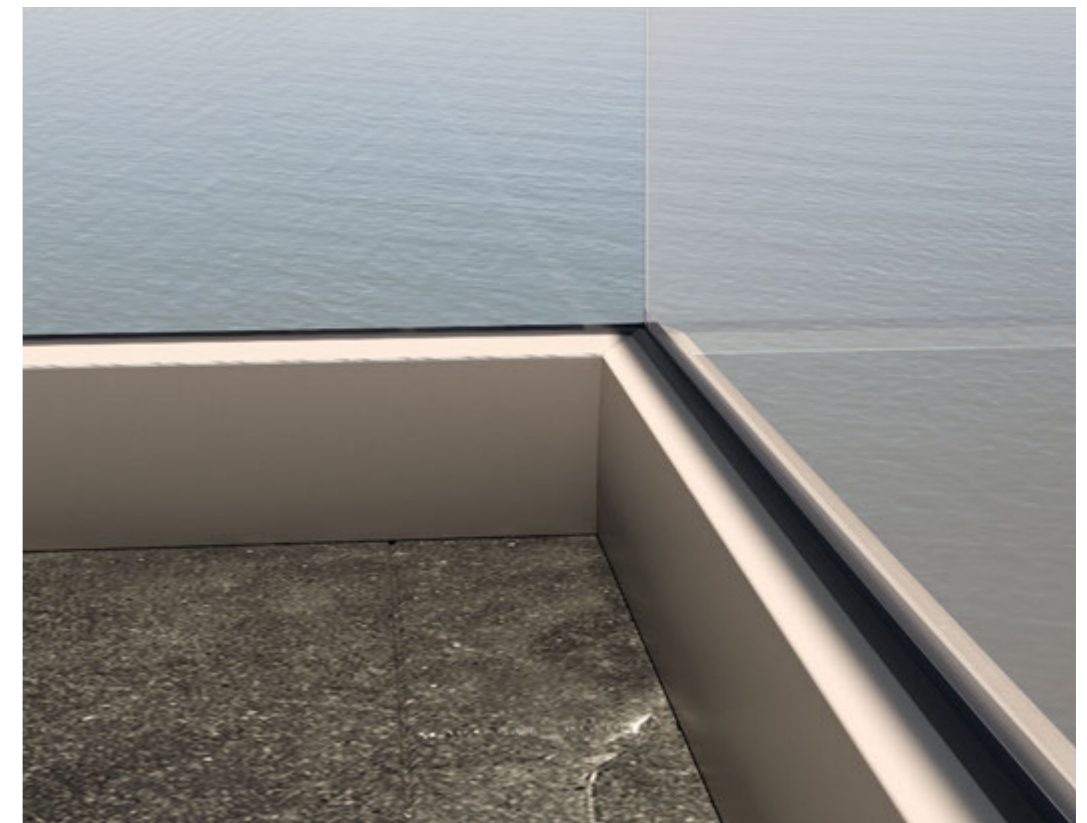
🇫🇷 La conception, la facilité d'installation et la rentabilité sont réunies dans le système X50, qui peut être extrudé en 5 mètres de longueur avec des trous pré-perçés sur demande. Il est adapté pour le verre 10mm, 12mm, 6+6 mm, 17,52 mm d'épaisseur. X50 est généralement préféré dans les couleurs RAL comme 7016 et 9005. Anodisation naturelle et anodisation Inox sont disponibles. la forme extérieure du profilé donne un aspect doux au regard.



Endcap



X50-1210K



Fixing Components



AK-5027K
Chemical Anchor



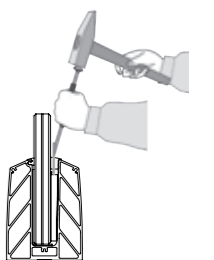
BTS-GJ8X10 0
M10 x 100 Threaded Rod
+ Washer + Nut



BTS-KB10X140



AK-5299
Wedge Fixing Tool





new



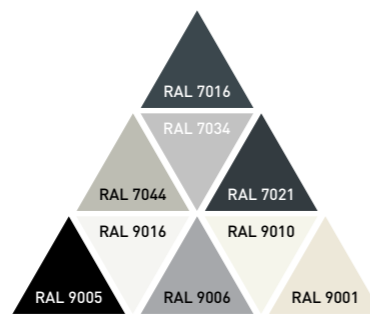
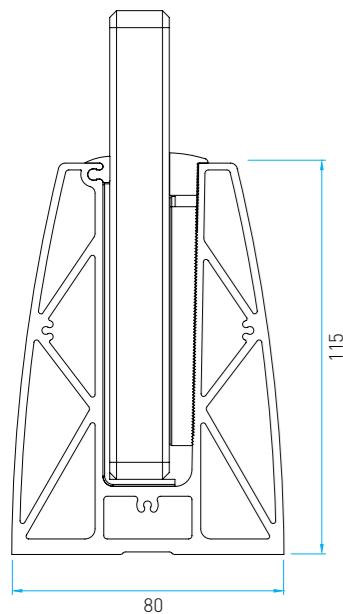
ELEGANT SERIES N50S

🇩🇪 Design, optimum weight, and strength come together in the N50S glass channel profile. N50S has soft contours which has the perfect design for high-quality projects. N50S is extruded in 6 meters length and can be pre-drilled upon request. The system is compatible with glass 12 mm, 13,52 mm, 17,52 mm, 21,52 mm thickness.

Most popular colors on N50S are RAL colors like 7016, 9005, 7044...

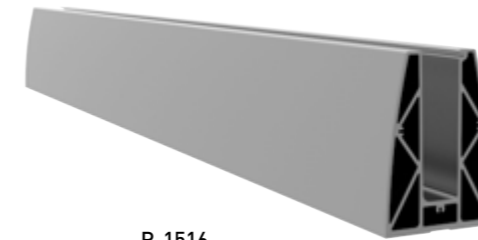
🇩🇪 Im Glaskanalprofil N50S vereinen sich Design, optimales Gewicht und Festigkeit. N50S verfügt über glatte Konturen mit nahtlosem Design für hochwertige Projekte. N50S wird in 6-Meter-Längen geliefert und kann auf Anfrage vorgebohrt werden. Das System ist für Glasstärken von 12 mm, 13,52 mm, 17,52 mm und 21,52 mm geeignet. Die beliebtesten Farben für N50S sind RAL-Farben wie z.B. 7016, 9005, 7044 usw..

🇫🇷 La conception, le poids optimal et la résistance sont réunis dans le profilé N50S, a des contours doux qui ont la conception parfaite pour des projets de haute qualité. N50S est extrudé en 6 mètres de longueur et peut être pré-percé sur demande. Le système est compatible avec le verre 12 mm, 13,52 mm, 17,52 mm, 21,52 mm d'épaisseur. Les couleurs les plus populaires sur N50S sont les couleurs RAL comme 7016, 9005, 7044...

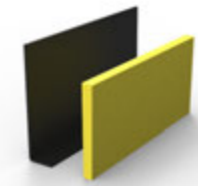


ELEGANT SERIES N50S

Full Length Base Channel Profile



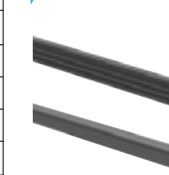
P-1516
5,45 Kg/m



- N50-KM10 (Wedge set for 5+5 mm Glass)
- N50-KM12 (Wedge set for 6+6 mm Glass)
- N50-KM16 (Wedge set for 8+8 mm Glass)
- N50-KM20 (Wedge set for 10+10 mm Glass)

Code	P-1516
Length	600 cm
Weight	5,45 Kg/m
Finish	Natural Anodize / Powder Coating
Pre Drilled Holes	Upon Request
Glass Thickness	10 mm / 12 mm / 12,76 mm / 17,52 mm / 21,52 mm

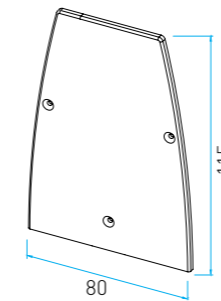
Gaskets



Glass Thickness	N50S	
10 mm	Interior Gasket	CNT-02
	Outer Gasket	CNT-06
12 mm (13,76 mm)	Interior Gasket	CNT-02
	Outer Gasket	CNT-05
16 mm (17,52 mm)	Interior Gasket	CNT-02
	Outer Gasket	CNT-01
20 mm (21,52 mm)	Interior Gasket	CNT-022
	Outer Gasket	CNT-01

• Epdm gaskets are sold on a box basis.

Endcap



N50S-1516K



Fixing Components



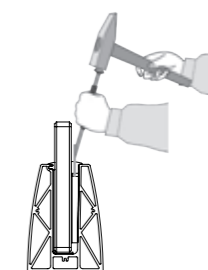
AK-5027K
Chemical Anchor



BTS-GJ10X150
M10 x 100 Threaded Rod
+ Washer + Nut



AK-5299
Wedge Fixing Tool





ELEGANT SERIES N50



✚ New BTS N50 model anodized Aluminium base shoe channel profile is perfect for both interior and exterior frameless glass railings that require floor mounting. Its linear design ensures a sleek and modern decor for all types of railings and balconies with a clear view. Weather-resistant, the base shoe is designed to accommodate glass panels with several thicknesses. N50 frameless glass railing profile is compatible with 5+5mm, 6+6mm, 8+8mm, 10+10mm glass panels. Simply affix to the floor of the balcony with an anchor bolt before inserting the glass panel. Install the glass panel by putting it inside the profile.

- Full length Aluminium profile
- Fast Installation
- Aesthetic design

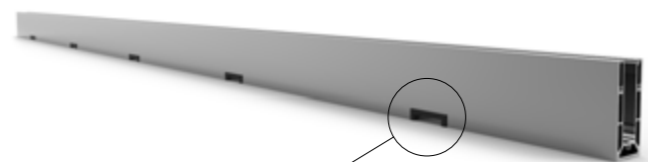
🇩🇪 Das neue Schuhkanalprofil BTS N50 aus eloxiertem Aluminium eignet sich perfekt für rahmenlose Glasgeländer im Innen- und Außenbereich, die eine Bodenmontage erfordern. Das geradlinige Design bietet ein elegantes und modernes Dekor für alle Arten von Geländern und Balkonen mit klarer Sicht. Der wetterfeste Basisschuh ist für Glasscheiben unterschiedlicher Dicke ausgelegt. Das rahmenlose Glasgeländerprofil N50 ist kompatibel mit 5+5mm, 6+6mm, 8+8mm, 10+10mm Glasscheiben. Einfach vor dem Einsetzen der Glasscheibe mit einem Ankerbolzen am Balkonboden befestigen. Installieren Sie das Glas, indem Sie es in das Profil einsetzen.

- Profil in voller Länge
- Schnelle Installation
- ästhetisches Design

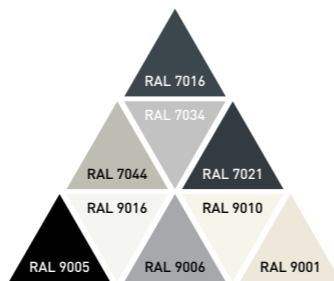
🇫🇷 Le nouveau profilé pour sabot de base en aluminium anodisé BTS N50 est idéal pour les garde-corps en verre sans cadre intérieurs et extérieurs nécessitant un montage au sol. Son design linéaire assure une décoration élégante et moderne pour tous les types de balustrades et de balcons avec une vue dégagée. Le profilé de base en aluminium est conçu pour recevoir des panneaux de verre de plusieurs épaisseurs. Le profilé de rampe en verre sans cadre N50 est compatible avec les panneaux en verre de 5+5mm, 6+6mm, 8+8mm, 10+10mm. Il suffit de fixer un boulon d'ancrage au sol du balcon avant d'insérer le panneau de verre. Installez le panneau de verre en le plaçant dans le profilé.

- Profil complet
- Installation rapide
- Design esthétique

Optional Prefabricated Water Drainage Canals



AK-5292



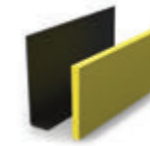
ELEGANT SERIES N50



Full Length Base Channel Profile



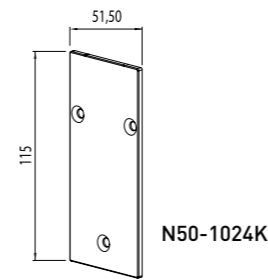
P-1024
4,50 kg/m
(N50-8984)



N50-KM10 (Wedge set for 5+5 mm Glass)
 N50-KM12 (Wedge set for 6+6 mm Glass)
 N50-KM16 (Wedge set for 8+8 mm Glass)
 N50-KM20 (Wedge set for 10+10 mm Glass)

Code	P-1024
Length	500 cm
Finishing	Natural Anodize / Powder Coating
Glass Thickness	10,76mm/12,76mm/16,76mm/17,52mm/21,52mm
Prefabricated	Upon Request
Plastic Wedge+Spacer	X
Gaskets	X

Endcaps



N50-1024K

Gaskets



Glass Thickness	N50	
	Interior Gasket	Outer Gasket
10 mm	Interior Gasket	CNT-02
	Outer Gasket	CNT-06
12 mm (13,76 mm)	Interior Gasket	CNT-02
	Outer Gasket	CNT-05
16 mm (17,52 mm)	Interior Gasket	CNT-02
	Outer Gasket	CNT-01
20 mm (21,52 mm)	Interior Gasket	CNT-022
	Outer Gasket	CNT-01

• Epdm gaskets are sold on a box basis.

Fixing Components



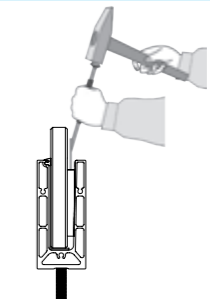
AK-5027K
Chemical Anchor



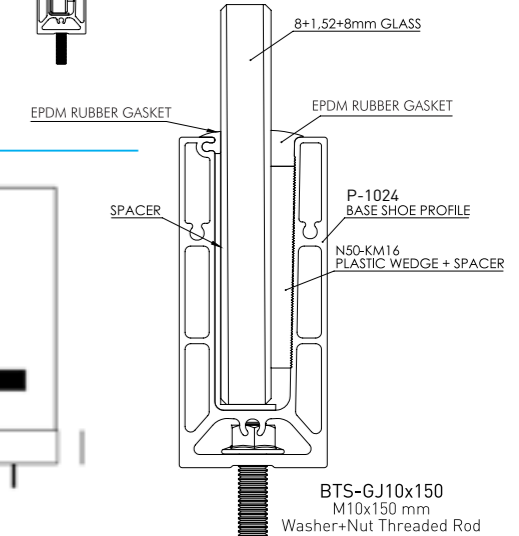
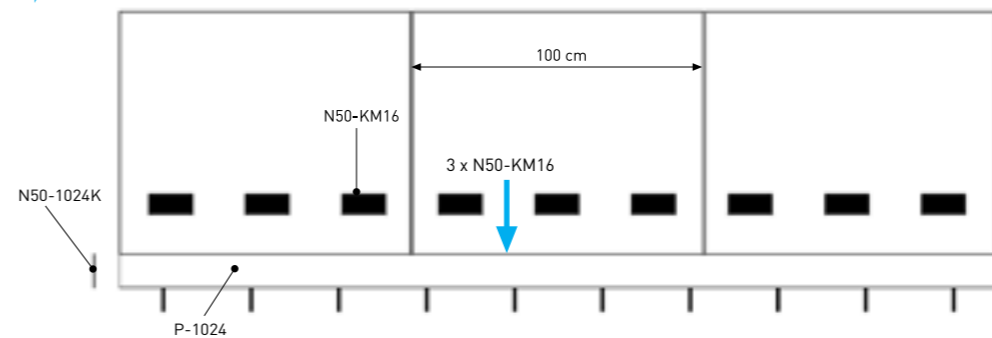
BTS-GJ10X150
M10 x 150 Threaded Rod + Washer + Nut



AK-5299
Wedge Fixing Tool

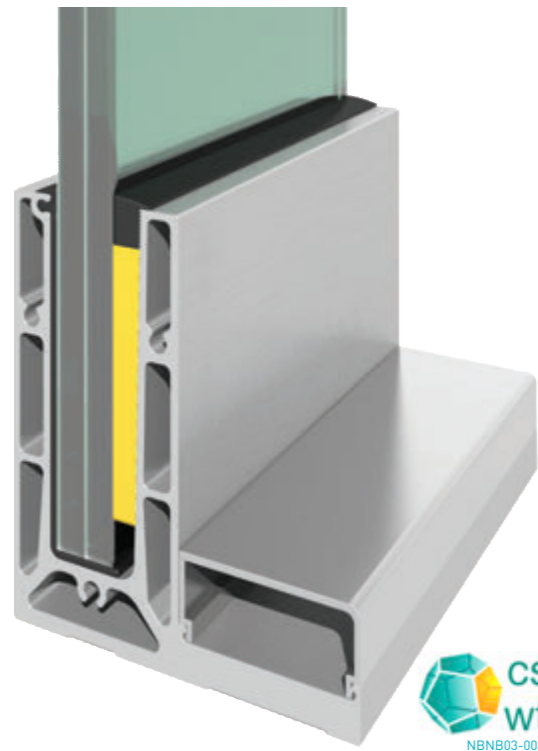


Installation Details





ELEGANT SERIES N50F



UK New BTS N50F anodized aluminium base shoe is perfect for both interior and exterior frameless glass balustrades that require floor mounting. Its F-shaped design makes it the optimal choice for applications under cement screeds during new constructions. When mounting directly on the floor, this base shoe profile can be covered by a profile to hide the installation holes and anchor bolts. Simply affix to the floor of the balcony with an anchor bolt before inserting the glass panel. Install the glass panel by putting it inside the profile.

- Full length Aluminium profile
- Fast Installation
- Double type use (in-floor, on-floor)

DE Das neue Schuhprofil aus eloxiertem Aluminium BTS N50F eignet sich perfekt für rahmenlose Glasrahmen, die innen und außen eine Bodenmontage erfordern. Seine F-förmige Konstruktion macht es zur optimalen Wahl für Anwendungen unter Zementestrichen beim Neubau. Bei direkter Montage auf dem Boden kann dieses Profil mit einem Profil abgedeckt werden, um Installationslöcher und Ankerbolzen zu verbergen. Befestigen Sie einfach einen Ankerbolzen am Balkonboden, bevor Sie die Glasscheibe einsetzen. Installieren Sie die Glasscheibe, indem Sie sie in das Profil einsetzen.

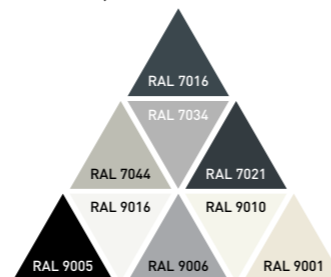
- Profil in voller Länge
- Schnelle Installation
- Doppelnutzung (im Boden, auf dem Boden)

FR Le nouveau profilé de sabot de base en aluminium anodisé BTS N50F est idéal pour les cadres de verre sans cadre à l'intérieur et à l'extérieur nécessitant un montage au sol. Sa conception en forme de F en fait le choix optimal pour les applications sous des chapes en ciment lors de nouvelles constructions. Lorsqu'il est monté directement sur le sol, ce profilé peut être recouvert d'un profilé pour masquer les trous d'installation et les boulons d'ancrage. Il suffit de fixer un boulon d'ancrage au plancher du balcon avant d'insérer le panneau de verre. Installez le panneau de verre en le plaçant dans le profile.

- Profil complet
- Utilisation de type double (sur le sol, dans le sol)
- Installation rapide



You can watch the installation video of this system on Youtube BTS Aluminium TV Channel. Sie können das Installationsvideo dieses Systems auf Youtube BTS Aluminium TV ansehen. Vous pouvez regarder la vidéo de l'installation de ce système sur la chaîne Youtube BTS Aluminium TV.



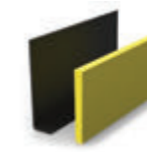
ELEGANT SERIES N50F



Full Length Base Channel Profile



P-1025
5,70 kg/m
(N50F-1952)



N50-KM10 (Wedge set for 5+5 mm Glass)
N50-KM12 (Wedge set for 6+6 mm Glass)
N50-KM16 (Wedge set for 8+8 mm Glass)
N50-KM20 (Wedge set for 10+10 mm Glass)

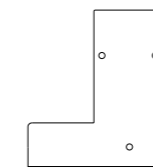
Code	P-1025
Length	500 cm
Finishing	Natural Anodize / Powder Coating
Glass Thickness	10,76mm/12,76mm/16,76mm/17,52mm/21,52mm
Prefabricated	Upon Request
Plastic Wedge+Spacer	X
Gaskets	X

Covers



P-1345
0,436 kg/m
(N50F-1953)

Endcaps



N50F-1025K

Gaskets



Glass Thickness	N50F	
	Interior Gasket	Outer Gasket
10 mm	Interior Gasket	CNT-02
	Outer Gasket	CNT-06
12 mm (13,76 mm)	Interior Gasket	CNT-02
	Outer Gasket	CNT-05
16 mm (17,52 mm)	Interior Gasket	CNT-02
	Outer Gasket	CNT-01
20 mm (21,52 mm)	Interior Gasket	CNT-022
	Outer Gasket	CNT-01

• Epdm gaskets are sold on a box basis.

Fixing Components



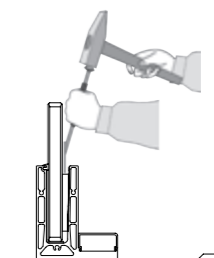
AK-5027K
Chemical Anchor



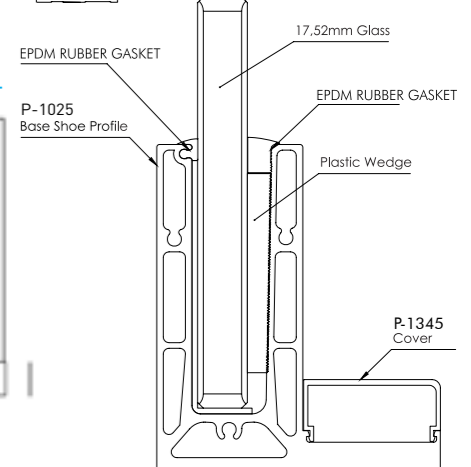
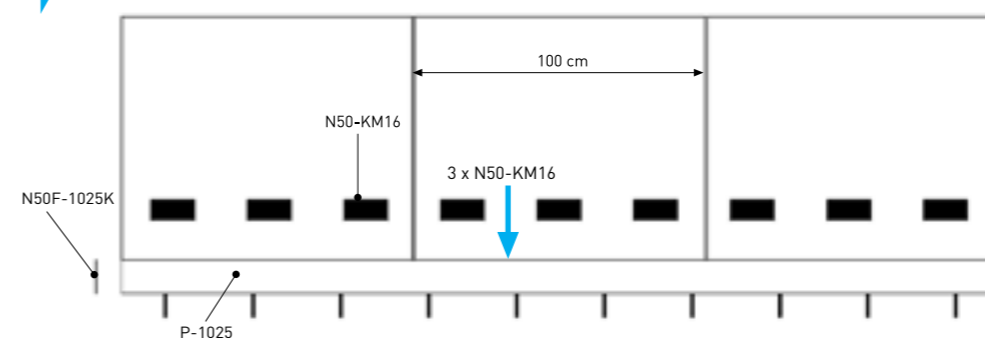
BTS-GJ10X150
M10 x 150 Threaded Rod + Washer + Nut

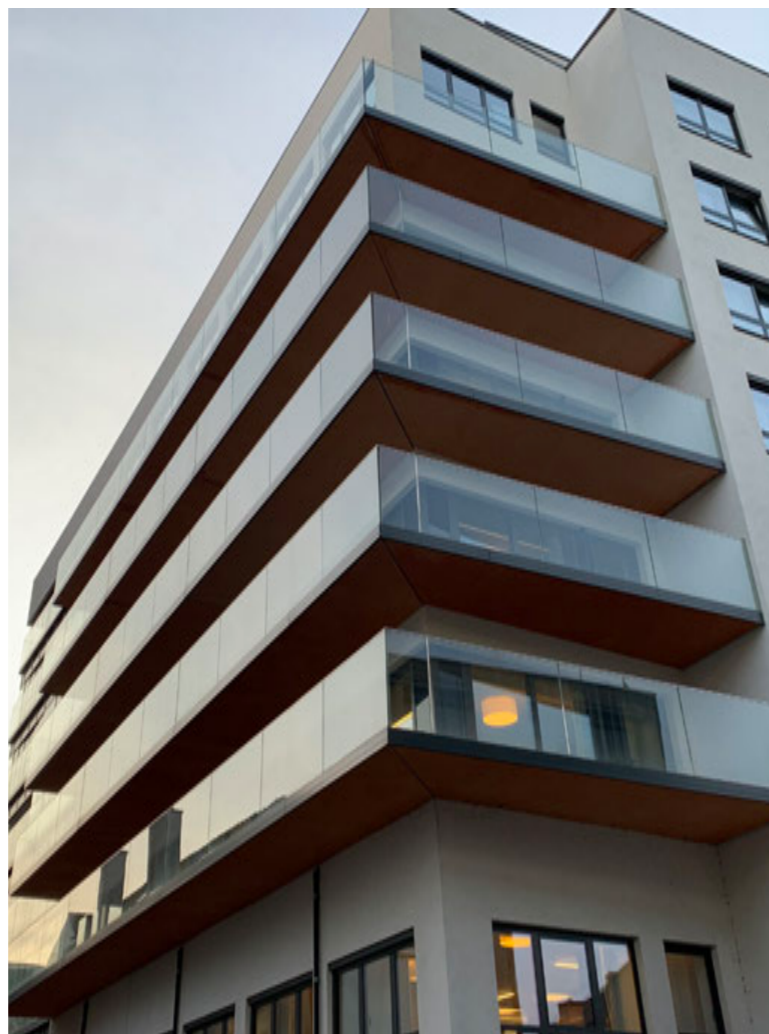


AK-5299
Wedge Fixing Tool

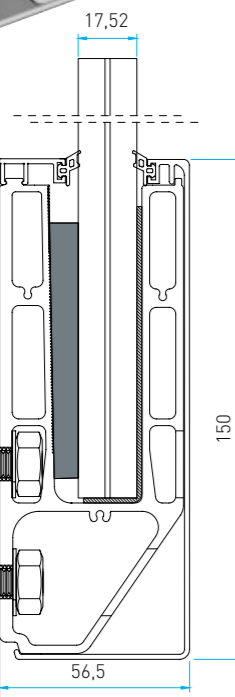
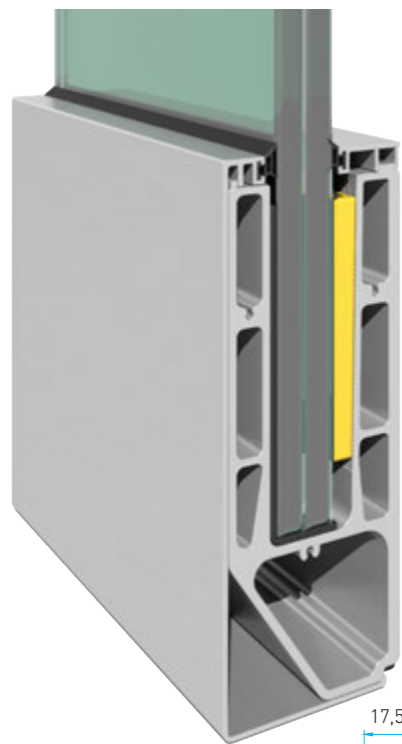


Installation Details





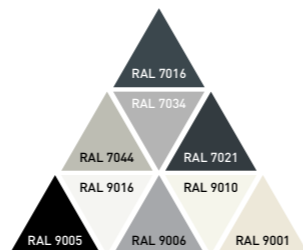
ELEGANT SERIES N50R



UK N50R is the continous base shoe profile for fascia mount application. Aluminium profile is pre-drilled and in 500cm length. Extension at the bottom of aluminium profile has advantage to affix the anchor bolts to underside the slab. Glass panels are fixed with the wedges into aluminium base shoe profile. Cladding covers are hiding anchor holes at the front side of profile and cladding covers have different options of anodizing and powder coating colors.

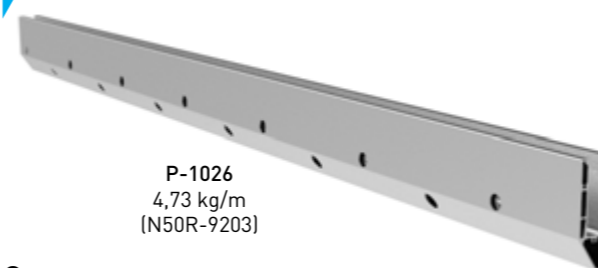
DE N50R ist das durchgehende Basisschuhprofil für Fasziensmontageanwendungen. Aluminiumprofil ist vorgebohrt und in 500cm Länge. Die Verlängerung an der Unterseite des Aluminiumprofils hat den Vorteil, die Ankerbolzen an der Unterseite der Platte zu befestigen. Glasscheiben werden mit den Keilen im Aluminium-Grundsuhprofil fixiert. Verkleidungsabdeckungen verbergen Ankerlöcher an der Vorderseite des Profils, und Verkleidungsabdeckungen bieten verschiedene Optionen für die Anodisierung und Pulverbeschichtung.

FR N50R est le profil de sabot de base continu pour l'application de montage sur le fascia. Le profil en aluminium est pré-percé et d'une longueur de 500 cm. L'extension au bas du profilé en aluminium a l'avantage de fixer les boulons d'ancrage sous la dalle. Les panneaux de verre sont fixés avec les coins dans le profil de la base en aluminium. Les couvertures de revêtement cachent des trous d'ancrage à l'avant du profil et les couvertures de revêtement ont différentes options de couleurs d'anodisation et de revêtement en poudre.



ELEGANT SERIES N50R

Full Length Base Channel Profile



P-1026
4,73 kg/m
(N50R-9203)

Code	P-1026
Length	500 cm
Finishing	Mill Finish
Glass Thickness	12,76 mm / 16,76 mm / 17,52 mm / 21,52 mm
Prefabricated	Upon Request
Plastic Wedge+Spacer	X
Gaskets	X

Covers



P-AL9204
0,947 Kg/m



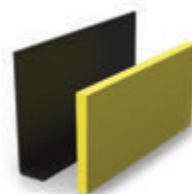
P-AL9205
0,140 Kg/m

Endcaps



N50R-1026K

Wedges & Spacer



N50-KM10 (Wedge set for 5+5 mm Glass)
N50-KM12 (Wedge set for 6+6 mm Glass)
N50-KM16 (Wedge set for 8+8 mm Glass)
N50-KM20 (Wedge set for 10+10 mm Glass)

Gaskets



Glass Thickness		N50R
10 mm	Interior Gasket	CNT-029
	Outer Gasket	CNT-029
12 mm (13,76 mm)	Interior Gasket	CNT-029
	Outer Gasket	CNT-026
16 mm (17,52 mm)	Interior Gasket	CNT-029
	Outer Gasket	CNT-025
20 mm (21,52 mm)	Interior Gasket	CNT-025
	Outer Gasket	CNT-025

• Epdm gaskets are sold on a box basis.

Fixing Components



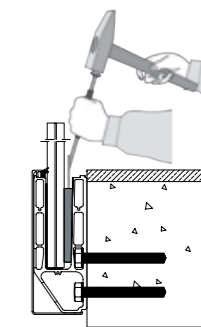
AK-5027K
Chemical Anchor



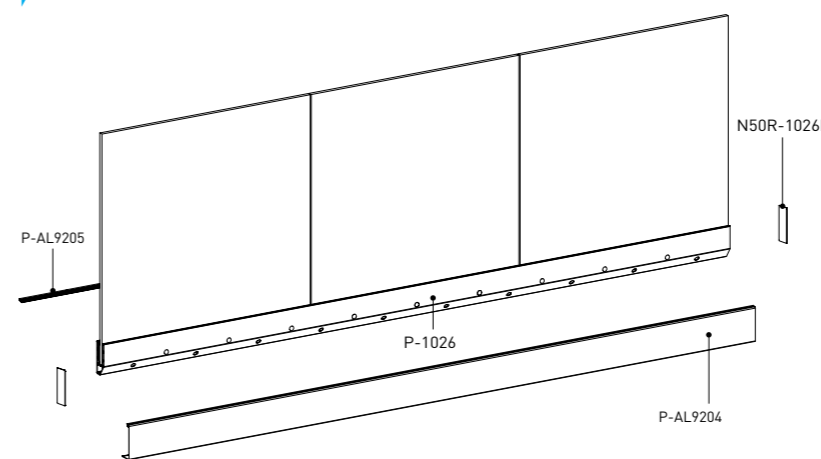
BTS-GJ10X150
M10 x 150 Threaded Rod + Washer + Nut



AK-5299
Wedge Fixing Tool



Installation Details



You can watch the installation video of this system on Youtube BTS Aluminium TV Channel. Sie können das Installationsvideo dieses Systems auf Youtube BTS Aluminium TV ansehen. Vous pouvez regarder la vidéo de l'installation de ce système sur la chaîne Youtube BTS Aluminium TV.





ELEGANT SERIES C70

🇬🇧 We know, the grounds are not flat everytime! Here is the solution!
 BTS Aluminium means innovation! The revolution in glass railing system!
 Glass angle adjustable glass railing base shoe!
 BTS Elegant C70 system is the most simple and smart solution for adjusting the glass in base shoe. First place the glass and adjust the angle with moving wedge. Then, lock the glass with magic pack inside aluminium base shoe. Adjusting the glass has not been so easy like this before!

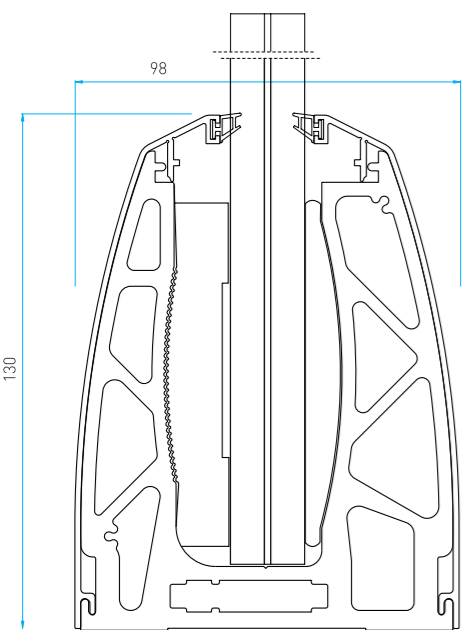
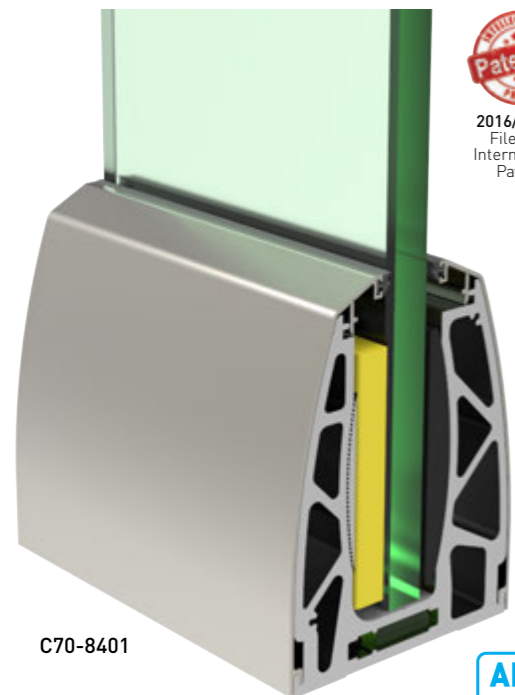
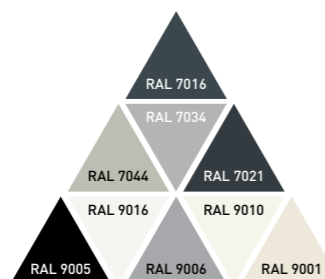
- Angle Adjusting possibility on glass
- Smart & Easy
- Aesthetic Design
- Easy Installation

🇩🇪 Wir wissen, der Boden ist manchmal uneben - hier ist die Lösung!
 BTS Aluminium bedeutet Innovation! Die Revolution im Glas-Geländer-System: der Winkel des Glases ist verstellbar!
 BTS Elegant C70-System ist die einfachste und intelligenteste Lösung zur Einstellung des Glases. Zuerst das Glas stellen und danach den Winkel mit beweglichem Keil justieren. Dann fixieren Sie das Glas mit "Magic Pack" im Aluminium Gehäuse. Das Einstellen des Glases war noch nie so einfach!

- Bietet die Möglichkeit, den Winkel des Glases einzustellen
- Einfach und Intelligent
- Ästhetisches Design
- Einfache Installation

🇫🇷 Nous savons, le sol nest pas plat chaque fois! Voici la solution!
 BTS Aluminium signifie innovation! La révolution dans le système de balustrade en verre! C'est un profié de base spécial qui permet regler l'angle du verre!
 Le système élégant C70 de BTS est la solution la plus simple et intelligente pour ajuster le verre dans le profilé de base. Placez d'abord le verre et ajustez l'angle avec la cale mobile. Ensuite, verrouiller le verre avec le "pack magique" dans le profile de base.
 Ajuster le verre n'a pas été si facile comme ça avant!

- Possibilité de réglage d'angle sur verre
- Intelligent & Facile
- Conception esthétique
- Installation facile



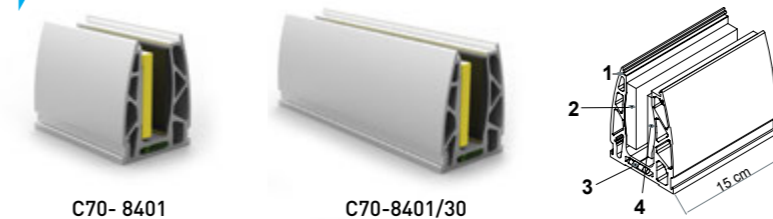
ELEGANT SERIES C70

Top Mount Supporting System With Glass Angle Adjustment

System zur Befestigung auf dem Boden mit Glaswinkeleinstellung

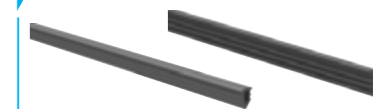
Reglable garde corps en verre sur sol

Glass Support Base Shoes



- Material List**
- 1- Glass support base shoe
 - 2- Magic pack
 - 3- Bubble level
 - 4- Adjusting wedge

Gaskets



Glass Thickness		C70	
16 mm (17,52 mm)	Interior Gasket	CNT-023GK	
	Outer Gasket	CNT-023GK	

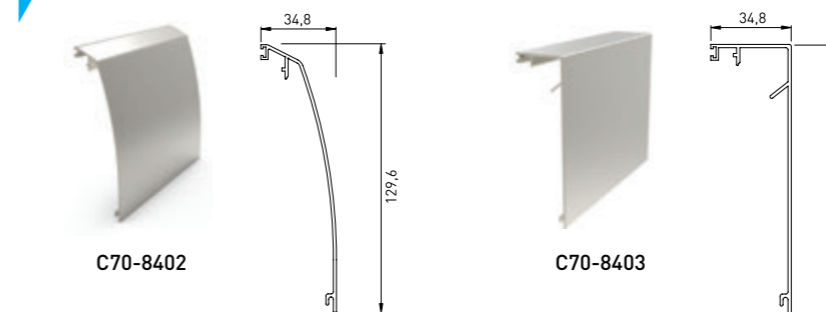
• Epdm gaskets are sold on a box basis.

Full Length Base Channel Profile



Code	C70-8401	C70-8401/30	C70-8401/3M
Length	15 cm	30 cm	300 cm
Glass Thickness	16,4 mm / 17,52 mm Glass		
Prefabricated	✓	✓	Upon Request
Magic Pack	Included	Included	X

Covers



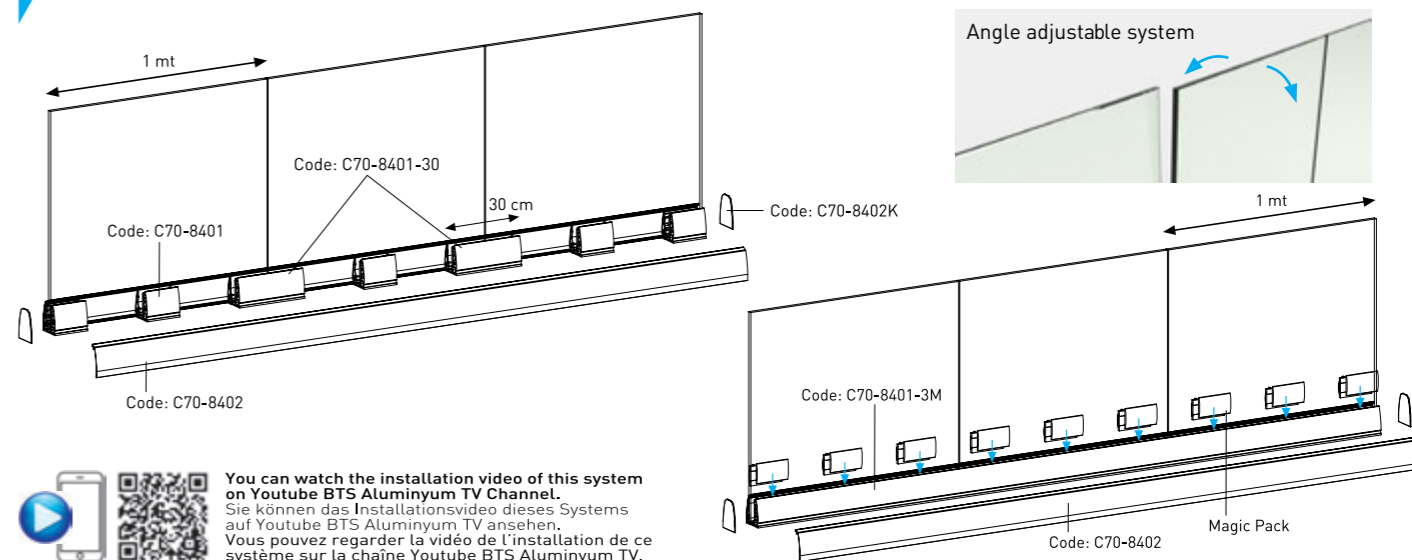
Endcaps



Fixing Components



Installation Details



You can watch the installation video of this system on Youtube BTS Aluminium TV Channel. Sie können das Installationsvideo dieses Systems auf Youtube BTS Aluminium TV ansehen. Vous pouvez regarder la vidéo de l'installation de ce système sur la chaîne Youtube BTS Aluminium TV.



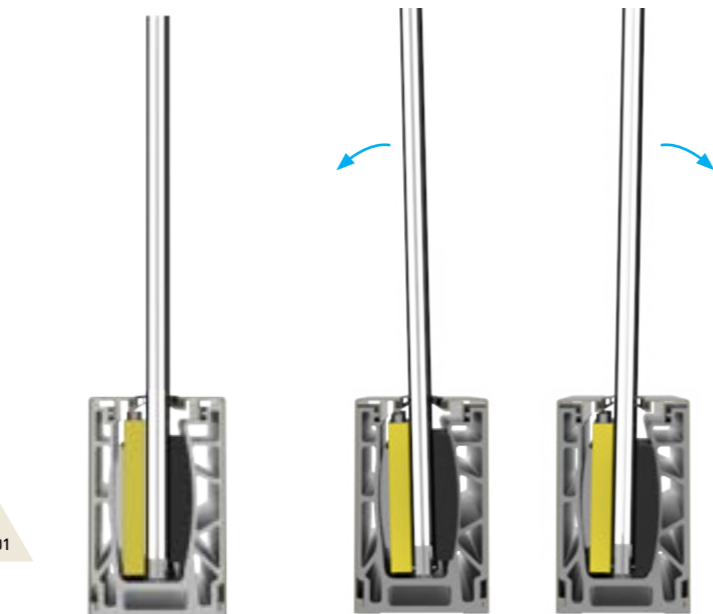
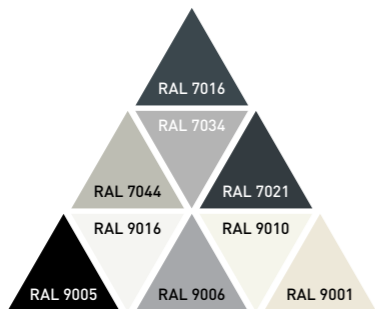
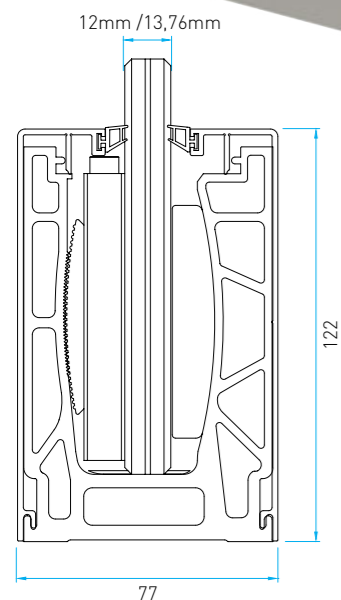
new

ELEGANT SERIES C60

🇩🇪 We know, the grounds are not flat every time! Here is the solution! BTS Aluminium means innovation! The revolution in glass railing system! Glass angle adjustable glass railing base shoe! BTS Elegant C60 system is the most simple and smart solution for adjusting the glass in the base shoe. First, place the glass and adjust the angle by moving the wedge. Then, lock the glass with a magic pack inside the aluminium base shoe. Adjusting the glass has not been so easy like this before!

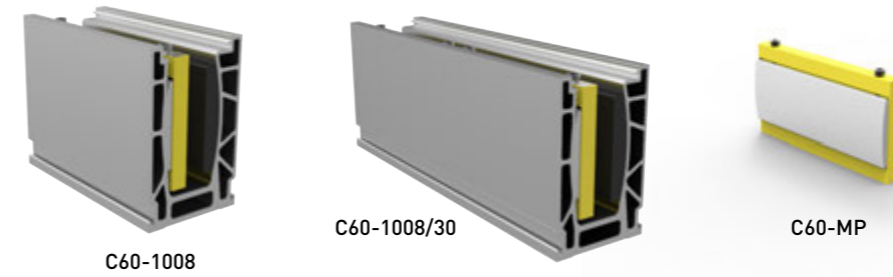
🇩🇪 Wir wissen, dass Böden nicht immer eben sind! Hier ist die Lösung! BTS Aluminium bedeutet Innovation! Revolution im Glasgeländersystem! Glasgeländer-Basissockel mit Winkelverstellung! Das BTS Elegant C60-System ist die einfachste und intelligenteste Lösung zum Einstellen des Glases im Basissockel. Stellen Sie zunächst den Winkel ein, indem Sie das Glas einsetzen und den Keil bewegen. Als nächstes befestigen Sie das Glas mit dem Magic Pack im Aluminium-Basissockel. Das Anpassen von Glas war noch nie so einfach!

🇫🇷 Nous le savons, les sols ne sont pas toujours plats! Voici la solution! BTS Aluminium signifie innovation! La révolution dans le système de garde-corps en verre! garde-corps avec angle de verre ajustable! Le système BTS Elegant C60 est la solution la plus simple et la plus intelligente pour ajuster le verre dans la bloc de support. Tout d'abord, placez le verre et ajustez l'angle en déplaçant le cale. Ensuite, verrouillez le verre avec ce qu'on appelle un pack magique à l'intérieur du profilé en aluminium. Ajuster le verre n'a pas été si facile auparavant!



ELEGANT SERIES C60

Glass Support Base Shoes



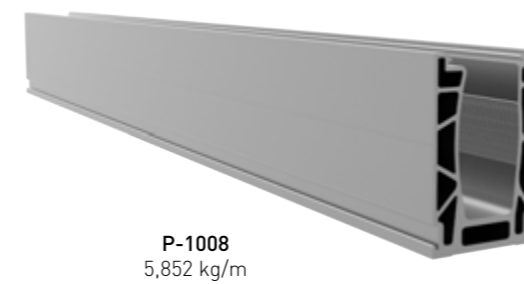
Gaskets



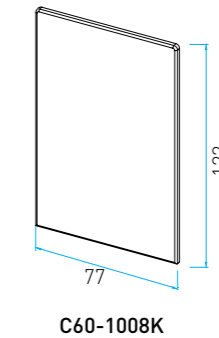
Glass Thickness	C60	
12 mm (13,76 mm)	Interior Gasket	CNT-023GK
	Outer Gasket	CNT-023GK

• Epdm gaskets are sold on a box basis.

Full Length Base Channel Profile



Endcap



Cover



Code	C60-1008	C60-1008/30
Length	15 cm	30 cm
Glass Thickness	12 mm / 13,52 mm	
Prefabricated	✓	✓
Magic Pack	Included	Included
Spacer	Included	Included



Fixing Components





new

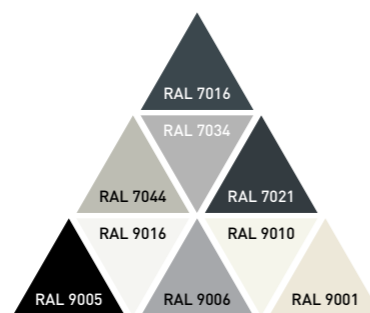
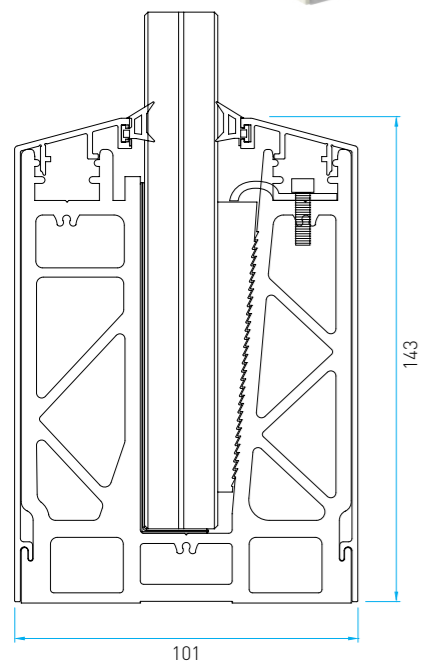
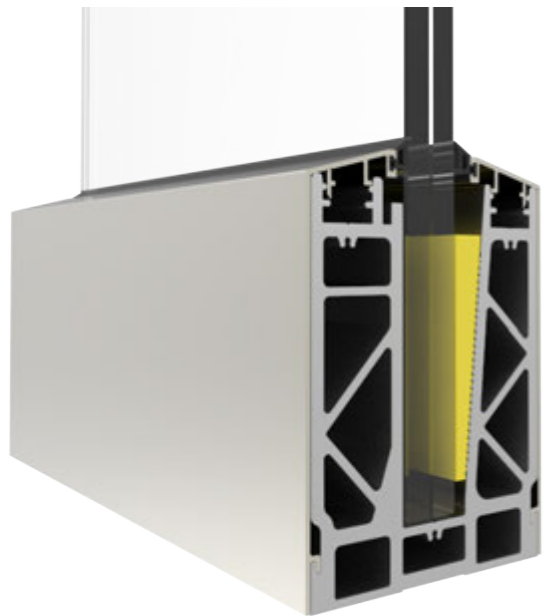


ELEGANT SERIES AS55

AS55 has two types of applications which are segmental and full-length base profile. Segmental application is the same as BTS C50 system which has 15 cm and 30 cm base supports to fix the glass. The full-length profile is extruded in 3 m length and can be pre-drilled upon request. A new type of serrated wedge fixing and wedge locking key is adding extra strength to this system. AS55 is one of the best solutions against high loads. suitable for 17,52 mm and 21,52 mm glass thickness and cover claddings can be RAL powder coated and anodized.

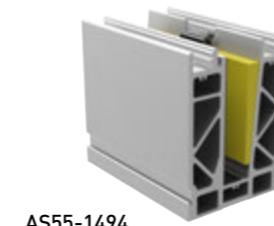
AS55 verfügt über zwei Arten von Anwendungen: segmentiertes und durchgehendes Basisprofil. Die segmentierte Version entspricht dem BTS C50-System mit 15 cm und 30 cm großen Grundträgern zur Glasbefestigung. Das durchgehende Profil kann in 3m Länge gezogen werden und auf Wunsch vorgebohrt werden. Eine neue Art von gezahntem Keilhalte- und Keilsicherungsschlüssel verleiht diesem System zusätzliche Stabilität. AS55 ist eine der besten Lösungen gegen hohe Belastungen und eignet sich für Glasstärken von 17,52 mm und 21,52 mm. Die Deckbeschichtungen sind RAL-pulverbeschichtet und anodisierbar.

AS55 a deux types d'applications qui sont le profilé segmentaire et le profilé entier. L'application segmentaire est la même que du système BTS C50 qui a 15 cm et 30 cm bloc de support pour fixer le verre. le profilé entier est extrudé en longueur de 3 m et peut être pré-percé sur demande. Un nouveau type de fixation de cale dentelée et clé de verrouillage de cale ajoute une résistance supplémentaire à ce système. L'AS55 est l'une des meilleures solutions contre les charges élevées. adéquat pour 17,52 mm et 21,52 mm d'épaisseur de verre et les profilés de couverture peuvent être laqué en RAL et anodisés.

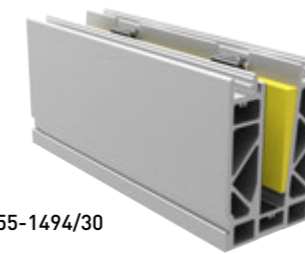


ELEGANT SERIES AS55

Glass Support Base Shoes



AS55-1494



AS55-1494/30

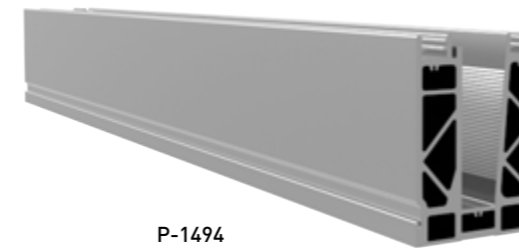
Gaskets



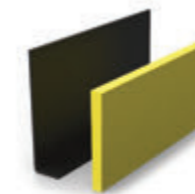
Glass Thickness	AS55	
16 mm (17,52 mm)	Interior Gasket	CNT-029
	Outer Gasket	CNT-025
20 mm (21,52 mm)	Interior Gasket	CNT-026
	Outer Gasket	CNT-025

• Epdm gaskets are sold on a box basis.

Full Length Base Channel Profile



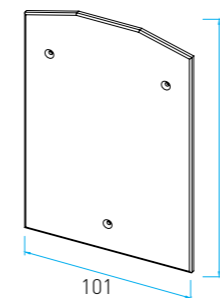
P-1494
10,98 kg/m



AS55-KM16 (8+8 mm Glass)
AS55-KM20 (10+10 mm Glass)

Code	AS55-1494	AS55-1494/30	AS55-5397	AS55-5397/30
Length	15 cm	30 cm	15 cm	30 cm
Glass Thickness	16,4 mm / 17,52 mm		20 mm / 21,52 mm	
Prefabricated	✓	✓	✓	✓
Plastic Wedge	Included	Included	Included	Included
Spacer	Included	Included	Included	Included

Endcap

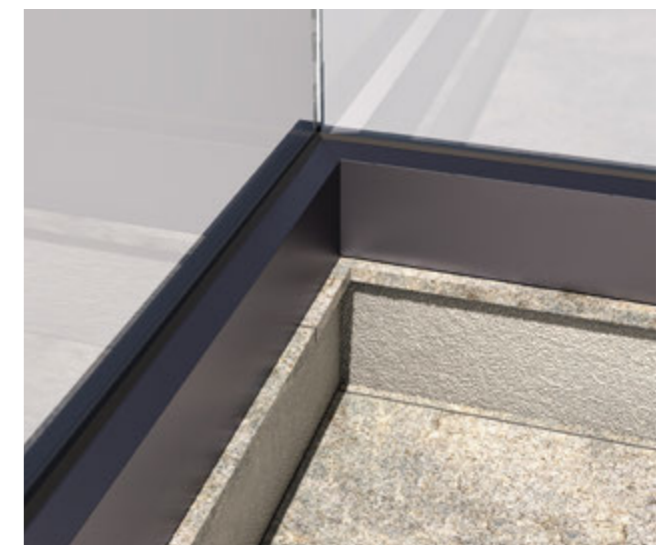


AS55-1494K

Cover



P-1513
0,921 kg/m



Fixing Components



AK-5027K
Chemical Anchor



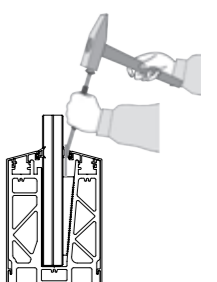
BTS-GJ10X100
M10 x 100 Threaded Rod
+ Washer + Nut



BTS-KB10X140

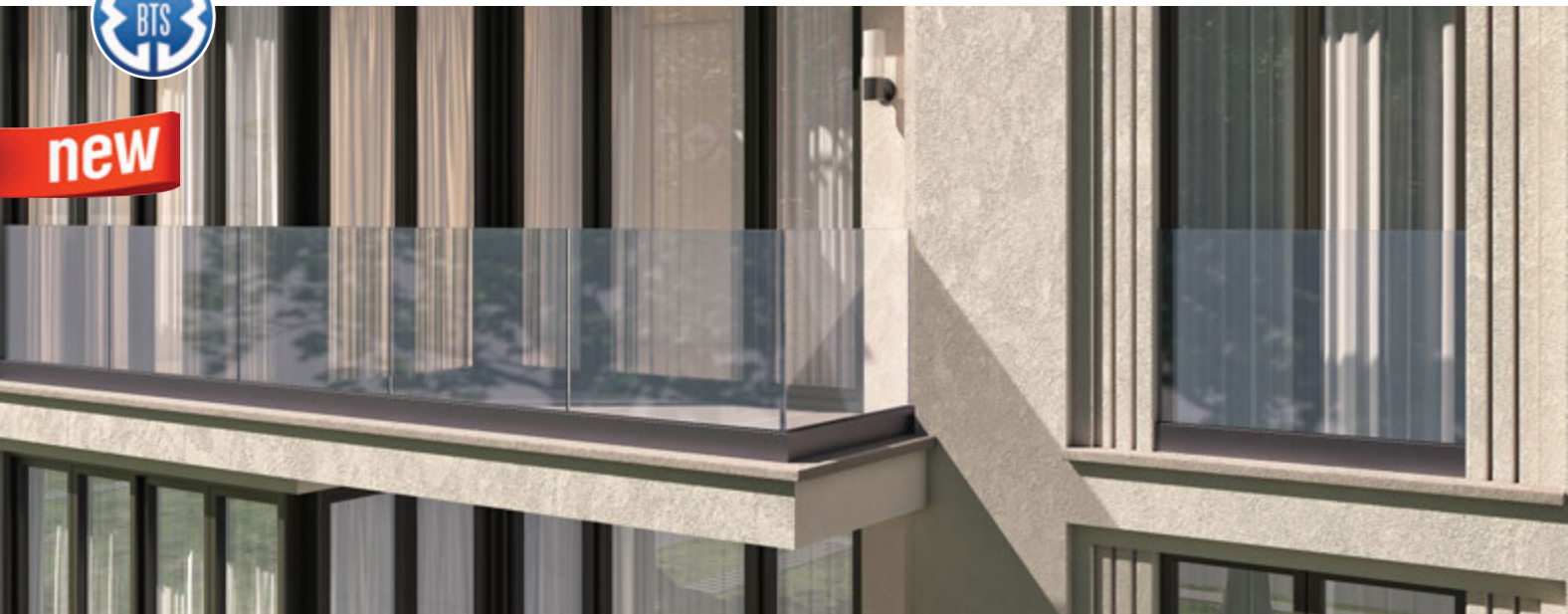


AK-5299
Wedge Fixing Tool





new

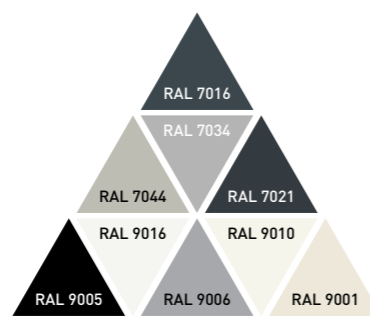
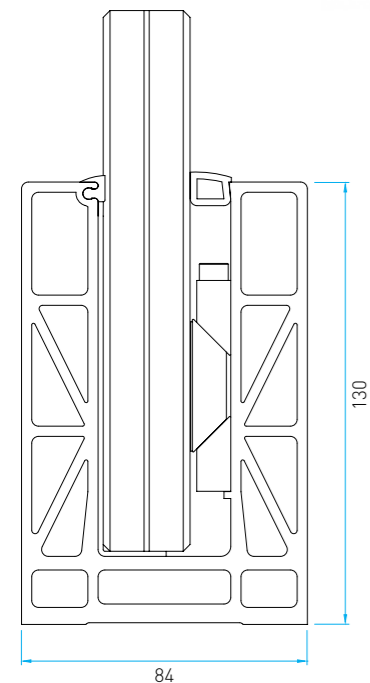


ELEGANT SERIES R50 Neo

High standards, high loads, and easy installation come together with R50 Neo... R50 Neo is a developed system of the previous R50 which is without covers. Aluminium glass fixing provides faster and simpler installation. R50 Neo is compatible with 21,52 mm and 25,52 mm glass which is used only in A plus, high-standard projects. R50 Neo profile can be extruded in 5 meters length and can be pre-drilled upon request. RAL colors like 7016, 9005, and 7004 are the most preferable colors on R50 Neo...

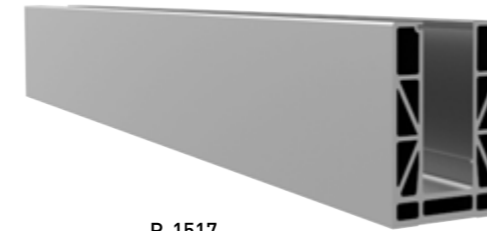
Hohe Standards, hohe Belastungen und einfache Montage zeichnen den R50 Neo aus. Der R50 Neo ist ein verbessertes System des vorherigen R50, das ohne Abdeckung ist. Die Glasbefestigung aus Aluminium ermöglicht eine schnellere und einfachere Installation. R50 Neo ist mit 21,52 mm und 25,52 mm dickem Glas kompatibel, das nur in A-Plus-Projekten mit hohem Standard verwendet wird. Das R50 Neo-Profil kann in Längen von 5 Metern gezogen und auf Wunsch vorgebohrt werden. RAL-Farben wie 7016, 9005 und 7004 sind die am meisten bevorzugten Farben beim R50 Neo.

Des normes élevées, des charges élevées et une installation facile viennent avec R50 Neo... R50 Neo est un système développé de R50 précédent qui est sans profilés de couverture. La fixation en aluminium permet une installation plus simple et rapide. Le R50 Neo est compatible avec le verre de 21,52 mm et 25,52 mm qui sont utilisés uniquement dans les projets A plus et de haut niveau. Le profilé R50 Neo peut être extrudé en 5 mètres de longueur et peut être pré-percé sur demande. Les couleurs RAL comme 7016, 9005 et 7004 sont les couleurs les plus préférables sur R50 Neo...



ELEGANT SERIES R50 Neo

Full Length Base Channel Profile



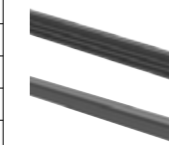
P-1517
8,23 Kg/m



R50N-KM20 (Aluminium fixing tool for 21,52 mm glass + Spacer)
R50N-KM25 (Aluminium fixing tool for 25,52 mm glass + Spacer)

Code	P-1517
Length	500 cm
Weight	8,23 Kg/m
Finish	Natural Anodize / Powder Coating
Pre Drilled Holes	Upon Request
Glass Thickness	21,52 mm / 25,52 mm

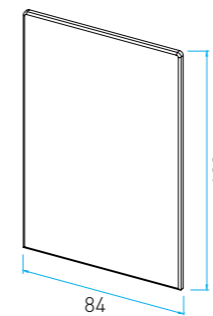
Gaskets



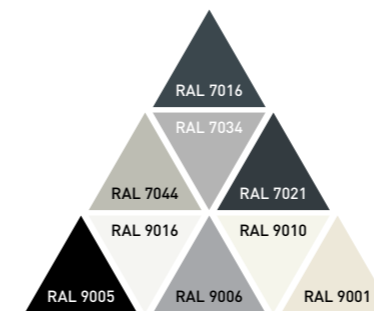
Glass Thickness	R50 Neo	
20 mm (21,52 mm)	Interior Gasket	CNT-02
	Outer Gasket	CNT-035
25 mm (25,52 mm)	Interior Gasket	CNT-02
	Outer Gasket	CNT-01

• Epdm gaskets are sold on a box basis.

Endcap



R50N-1517K



Fixing Components



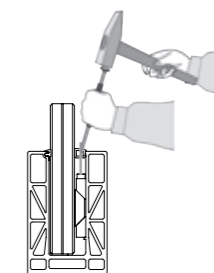
AK-5027K
Chemical Anchor



BTS-GJ10X150
M10 x 100 Threaded Rod
+ Washer + Nut



AK-5299
Wedge Fixing Tool





ELEGANT SERIES FX50

The newest model of Elegant railing FX50 is used on external connections. It enriches the view and provides large areas on high class projects and buildings. It makes you feel the stability and durability with first touch... All the details regarding the montage are kept with the cover. Simplicity and aesthetic come into prominence with FX50.

- The best solution for external connection types
- Unlimited view
- Aesthetic design
- Easy cleaning

Das neueste Modell FX50 unseres Geländersystems Elegant wird für externe Verbindungen verwendet. Es bietet eine ungestörte Aussicht und ist geeignet für große Flächen bei hochwertigen Projekten und Gebäuden. Die Stabilität und Dauerhaftigkeit wird auf den ersten Blick deutlich. Aufgrund der Kappen sind die Verschraubungen nicht sichtbar. Pures Design und Ästhetik stehen beim Modell FX50 im Vordergrund.

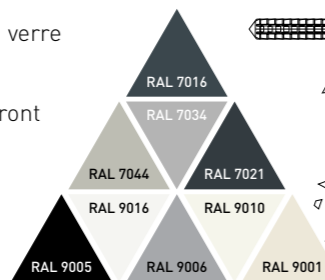
- Die beste Lösung für externe Verbindungen
- Freie Sicht
- Ästhetisches Design
- Einfache Reinigung



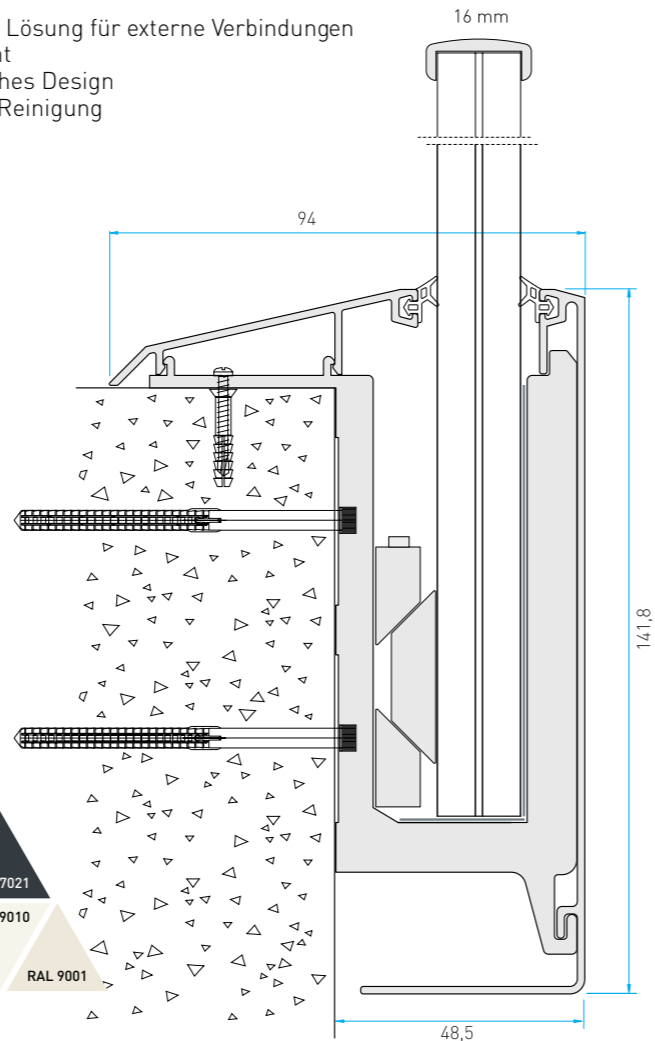
TR2014/08207

Liaison de front c'est le caractéristique de ce système FX50. Ce système est utilisé dans le haut degré de project parce qu'il donne la possibilité d'avoir davantage d'espace, plus d'esthétique. Les profilés de couvre cachent tous les détails et vous voyez que la simplicité et beauté. Ce système est convenable pour l'usage de verre feuilleté et trempé de 8+8+1,52.

- Solution la plus pratique dans la liaison de front
- Visibilité illimitée
- Esthétique
- Nettoyage facile



46

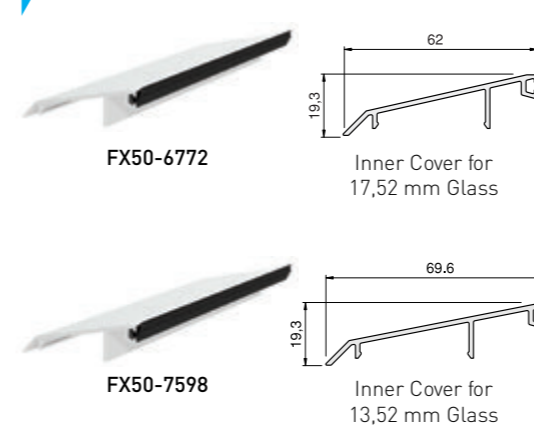


ELEGANT SERIES FX50

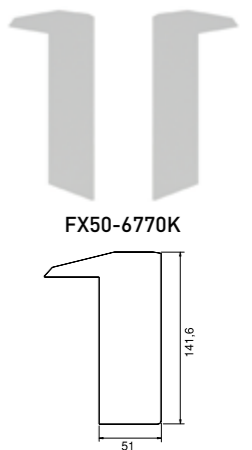
Full Length Base Channel Profile



Covers



Endcaps



Fixing Components

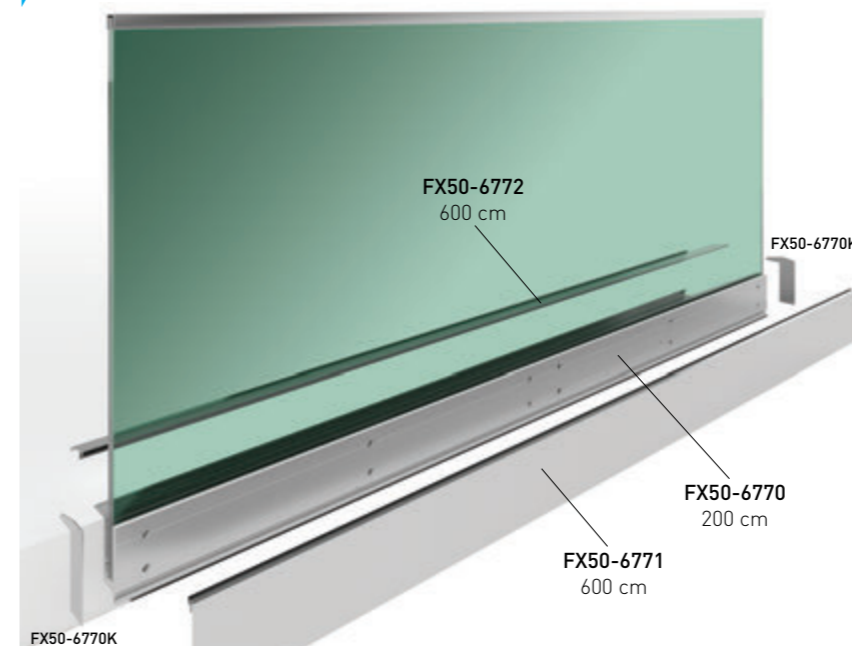


Gaskets

Glass Thickness	FX50	
12 mm (13,76 mm)	Interior Gasket	CNT-026
	Outer Gasket	CNT-025
16 mm (17,52 mm)	Interior Gasket	CNT-026
	Outer Gasket	CNT-025
20 mm (21,52 mm)	Interior Gasket	CNT-025
	Outer Gasket	CNT-025

• Epdm gaskets are sold on a box basis.

Installation Details



47



ELEGANT SERIES NX50

🇩🇪 The newest, most beautiful and elegant type of glass railing. It's name is NX50. It is differing from other models because of its satin finish brushed surface. For satin finish brushed surface, you have to use continuous aluminium supporting profile and closing the installation details with upper covers. The cover profiles are also coming with satin finish brushed surface. You can also use glass supporting blocks in 15 cm parts then you can close the blocks with satin finished brushed surface aluminium covers. The system has two possibilities for installation according to your wishes. Part by part installation or continuous profile installation. However it's difference than others is satin finish surface which is providing beautiful view on your projects.

- Satin Finish Brushed Surface Option
- Elegant Design
- Easy Installation
- Part by Part Supporting Option
- Unlimited View
- Possibility to use heavy duty anchors

🇩🇪 Unser Modell NX50 ist die neueste, ästhetischste und eleganteste Art von Glasgeländer. Es unterscheidet sich von anderen Modellen durch seine seidenmatt gebürstete Oberfläche. Bei diesem Modell werden durchlaufende Aluminiumträgerprofile verwendet. Die Abdeckprofile, die die Details des Einbaus verdecken, haben ebenfalls eine seidenmatt gebürstete Oberfläche. Sie können auch Glasträgerblöcke in 15 cm Teilen verwenden und diese Blöcke mit Aluminiumabdeckungen mit seidenmatt gebürsteter Oberfläche verdecken. Das System kann nach Ihren Wünschen installiert werden: entweder mit Montageblöcken je 15 cm oder mit durchgehendem Profil. Die Besonderheit dieses Modells ist die seidenmatt gebürstete Oberfläche, die einen wunderschönen Blick auf Ihre Projekte bietet.

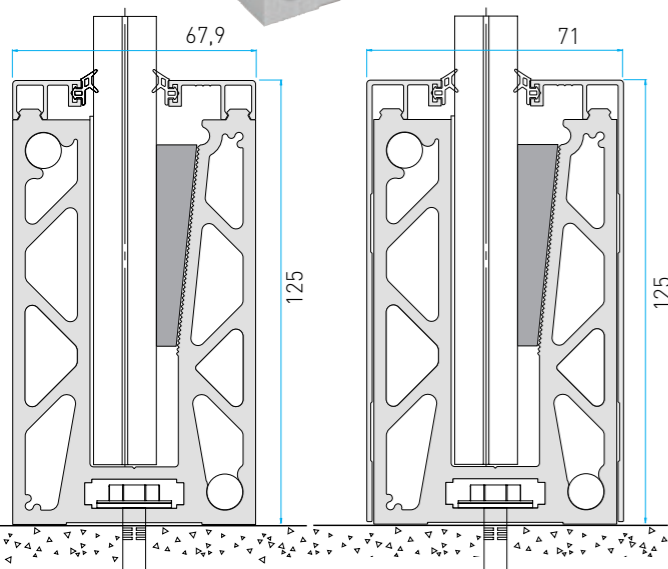
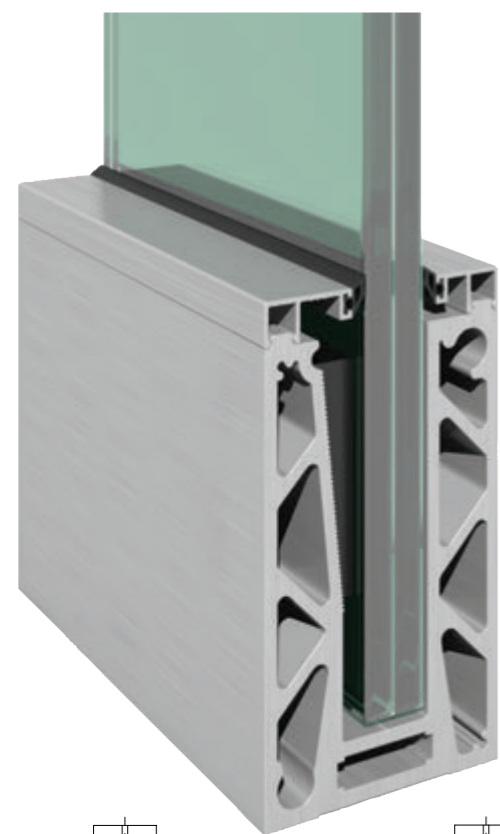
- Seidenmatt gebürstete Oberfläche Elegantes
- Design
- Einfache Montage
- Montage durch Montageblöcke möglich
- Freie Sicht
- Möglichkeit, Schwerlastanker verwenden

🇫🇷 Le modèle NX50 est parmi les modèles les plus beau et les plus élégant, et aussi très récent, sa qualité de surface satinée le rend différent des autres modèles, tous les profilés qu'on utilise dans ce système ont une surface satinée. vous pouvez utiliser les profilés de cache soit continus ou bien en différentes pièces.

- Options des profilés avec surfaces satinée
- Un design spécial
- Une très facile application
- Possibilité d'application en différentes pièces
- Vue illimitée
- Possibilité de fixer avec les chevilles de poids lourds

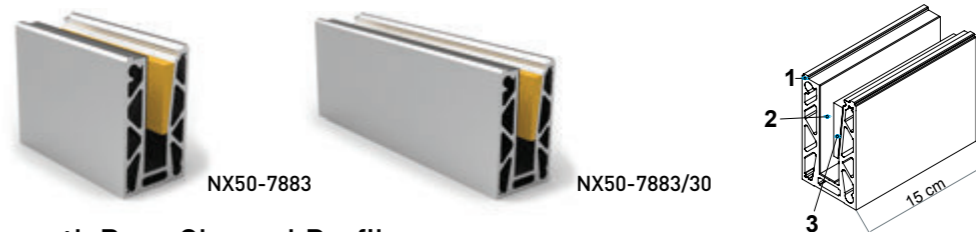


NBNB03-004: Borstwering van gebouwen (2017) Category A4



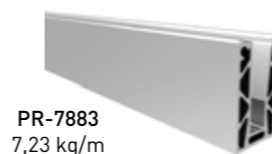
ELEGANT SERIES NX50

Glass Support Base Shoes



- Material List**
- 1- Glass support base shoe
 - 2- Spacer
 - 3- Plastic wedge

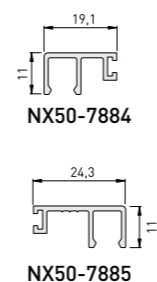
Full Length Base Channel Profile



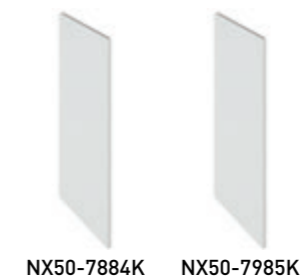
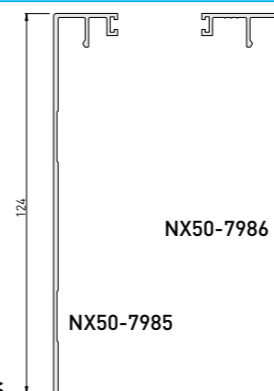
Code	NX50-7883	NX50-7883/30	NX50-5320	NX50-5320/30	PR-7883
Length	15 cm	30 cm	15 cm	30 cm	300 cm
Glass Thickness	16,4 mm / 17,52 mm Glass		20,4 mm / 21,52 mm Glass		16,4 mm / 17,52 mm Glass 20,4 mm / 21,52 mm Glass
Prefabricated	✓	✓	✓	✓	Upon Request
Plastic Wedge + Spacer	Included	Included	Included	Included	X



Covers



Endcaps



Connector Pin



Fixing Components

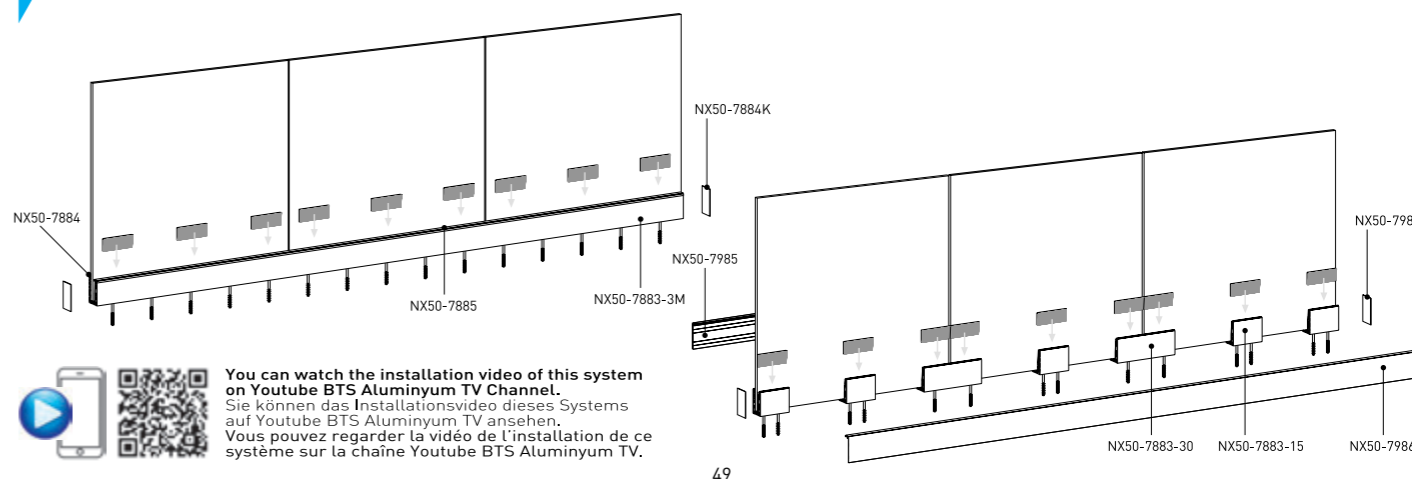


Gaskets

Glass Thickness	NX50	
12 mm (13,76 mm)	Interior Gasket	CNT-029
	Outer Gasket	CNT-025
16 mm (17,52 mm)	Interior Gasket	CNT-026
	Outer Gasket	CNT-025
20 mm (21,52 mm)	Interior Gasket	CNT-025
	Outer Gasket	CNT-025

• Epdm gaskets are sold on a box basis.

Installation Details



You can watch the installation video of this system on Youtube BTS Aluminium TV Channel. Sie können das Installationsvideo dieses Systems auf Youtube BTS Aluminium TV ansehen. Vous pouvez regarder la vidéo de l'installation de ce système sur la chaîne Youtube BTS Aluminium TV.

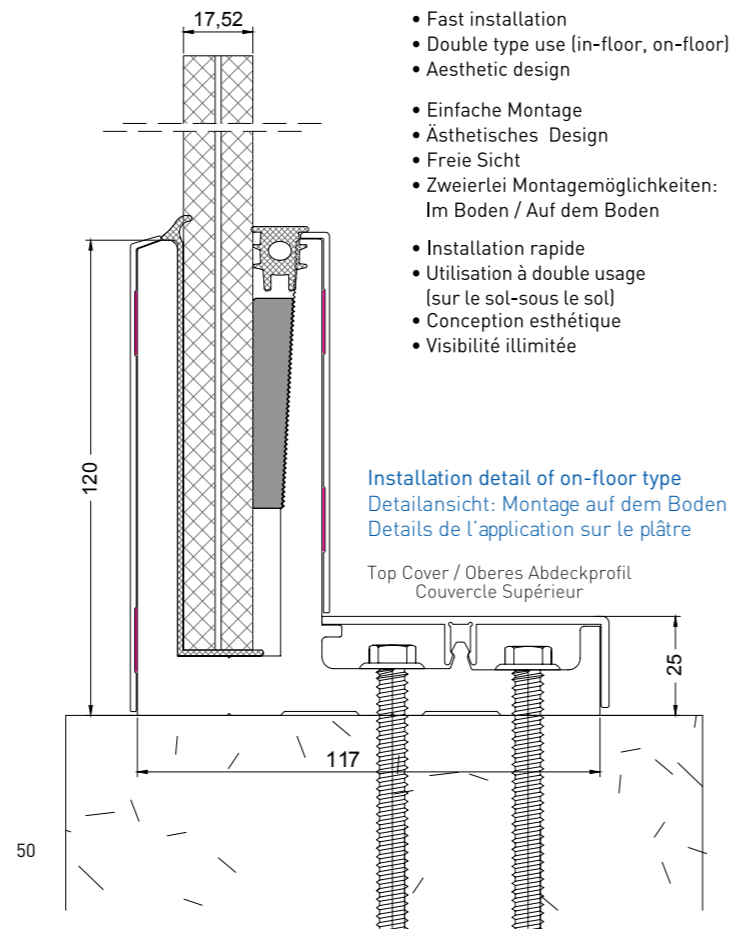
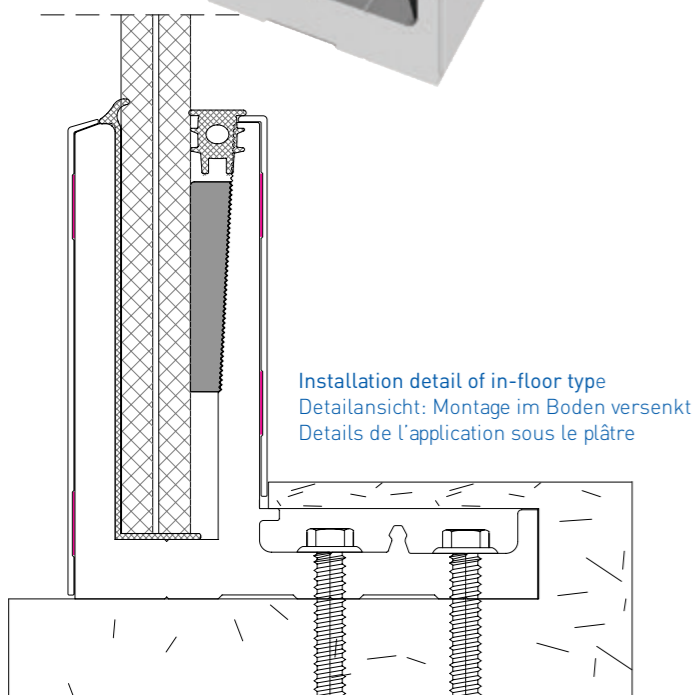


ELEGANT SERIES M50

🇩🇪 M50 is the one of the latest system in Elegant series and it is the solution for both in-floor and on-floor use. In in-floor use, the main profile place under the concrete or top ground material. In on-floor use, the main profile place on ground and installation details are kept with special covers. Aesthetic, stability, easy installation come together with M50...

🇩🇪 Dies ist das einzige Modell, das sowohl für die Montage im Boden versenkt als auch für die Montage auf dem Boden geeignet ist. Bei der im Boden versenkten Version können Sie das untere Teil unter dem Bodenbelag (Fliesen, Holz, etc.) unsichtbar verbauen. Falls Sie das Modell auf dem Boden verbauen, können Sie die Montageeinheiten durch das Abdeckprofil kaschieren.

🇩🇪 M50 est un des systèmes des séries élégantes les plus nouvelles et il est la solution pour deux utilisations en chaussé et au sol. Dans le premier système le profilé principal est placé sous le béton tandisque dans le deuxième est installé au sol et les détails de l'installation sont cachés par des couvre spéciaux. Esthétique, stabilité, l'installation facile sont les avantages de M50...



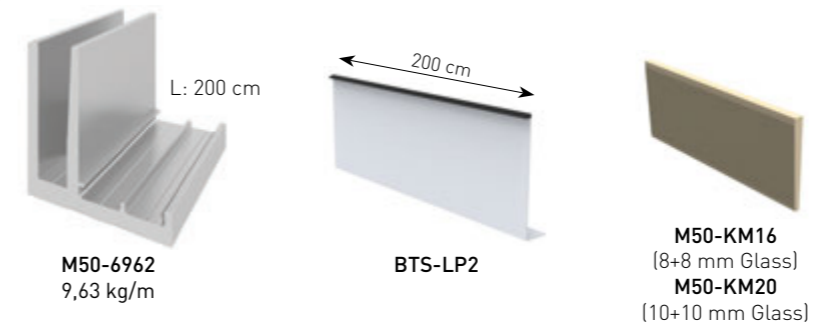
- Fast installation
- Double type use (in-floor, on-floor)
- Aesthetic design

- Einfache Montage
- Ästhetisches Design
- Freie Sicht
- Zweierlei Montagemöglichkeiten:
Im Boden / Auf dem Boden

- Installation rapide
- Utilisation à double usage
(sur le sol-sous le sol)
- Conception esthétique
- Visibilité illimitée

ELEGANT SERIES M50

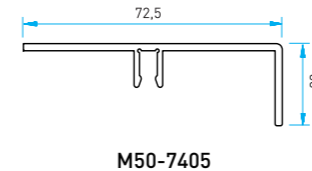
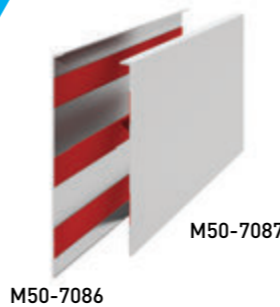
Full Length Base Channel Profile



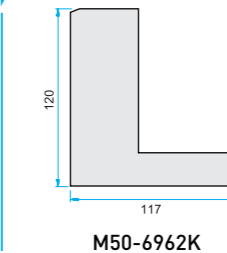
Code	M50-6962
Length	200 cm
Glass Thickness	16,4 mm / 17,52 mm / 21,52 mm Glass
Prefabricated	Upon Request
Spacer	X
Wedge	X



Covers



Endcaps



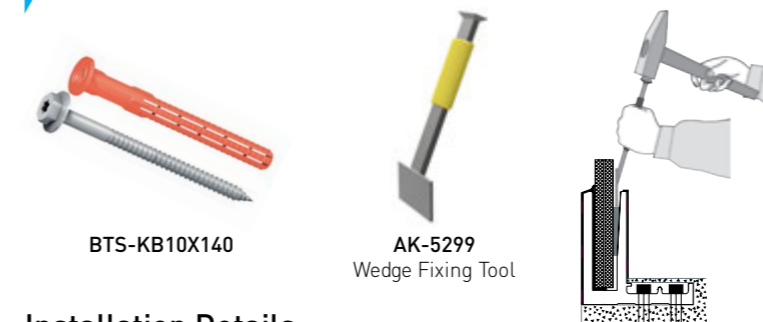
Gaskets



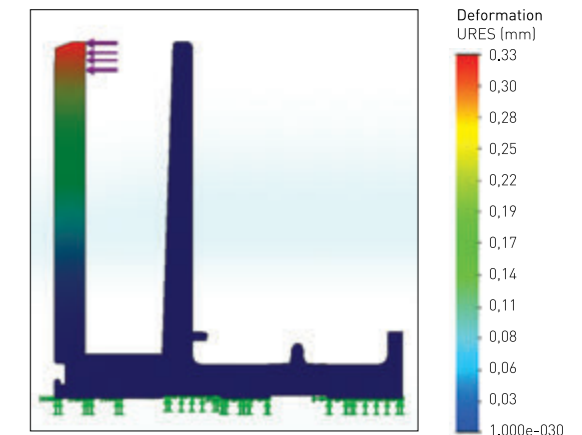
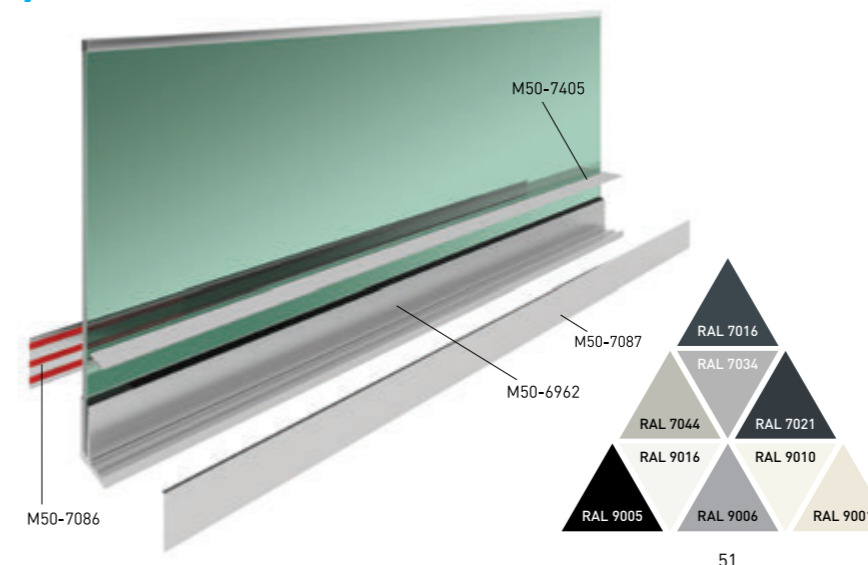
Glass Thickness		M50
16 mm (17,52 mm)	Interior Gasket	CNT-020
20 mm (21,52 mm)	Interior Gasket	CNT-021

• Epdm gaskets are sold on a box basis.

Fixing Components



Installation Details

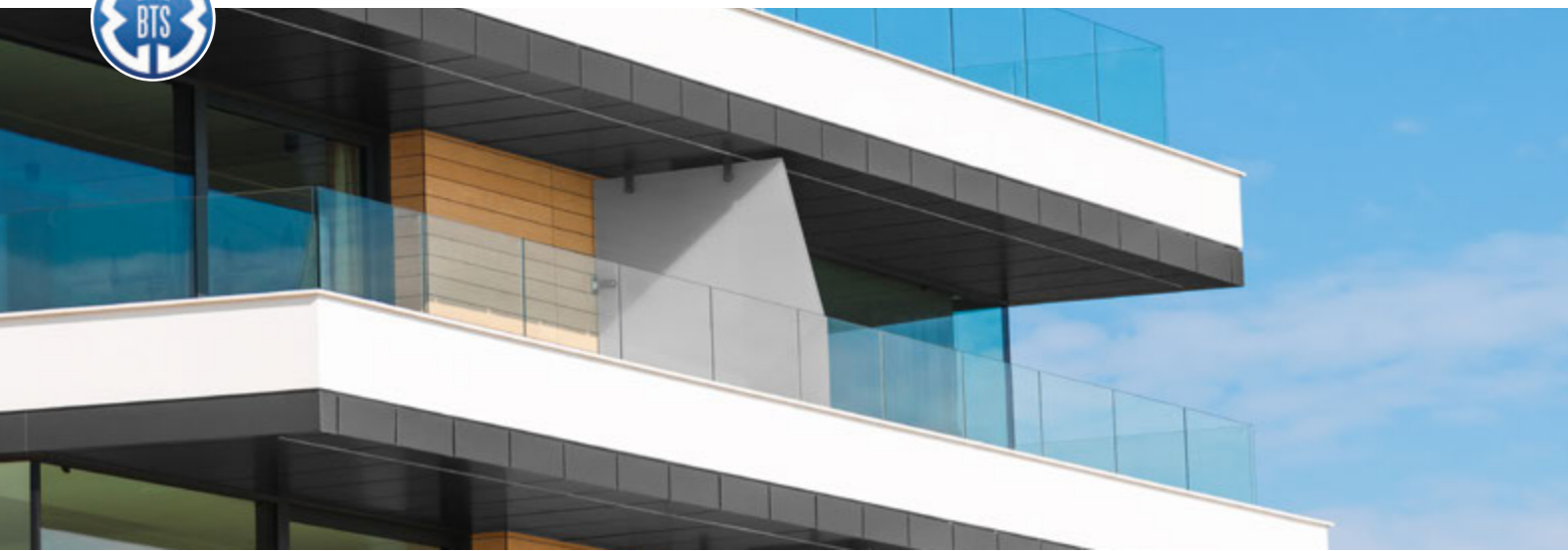


Alloy EN AW 6063
Stress and relocation results on 1mt base profile with 500 kg horizontal load to the highest surface of the profile.

Belastungs- und Verlagerungsergebnisse auf 1 m Basis Profil bei Belastung mit 500 kg, horizontale Belastung auf der höchsten Oberfläche des Profils.

EN AW 6063
Le stress et le démenagement résultant sur la surface la plus haute de profilé de base de 1 mt à la suite d'une charge horizontale de 500 kg.





ELEGANT SERIES CL50

CL50 is the latest type of glass supporting system in Elegant models. The system has two different covers and different glass pressing mechanism. All circumstances of Elegant system's come together in type CL50.

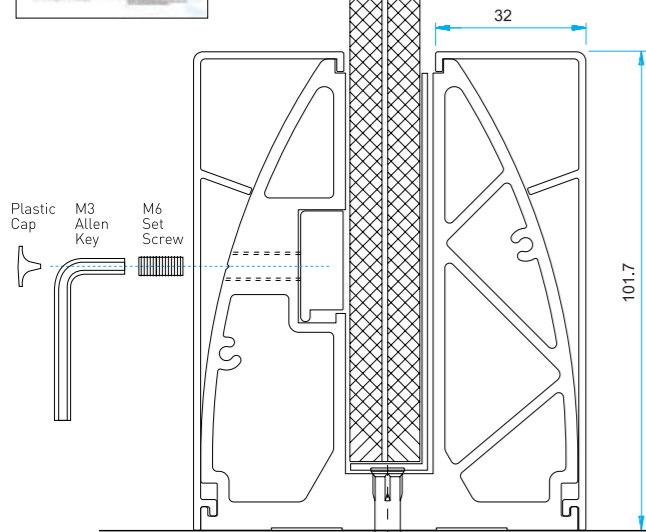
Das neueste Modell der Elegant Geländersysteme ist unser CL50, mit zwei verschiedenen Alternativen von Abdeckprofilen im Vergleich zur C50. Diese Serie bietet Ihnen eine größere Nutzungsfläche und freie Sicht.

Série élégante CL50, c'est le dernier système qui s'ajoute aux systèmes de support de verre sur le sol. Ce système possède un nouveau système de serrage le verre et deux options pour les profilés de fermeture. Comme les autres séries élégantes ce système a également la visibilité illimitée, l'esthétique, et la facilité de nettoyage.

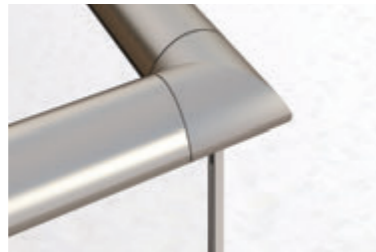
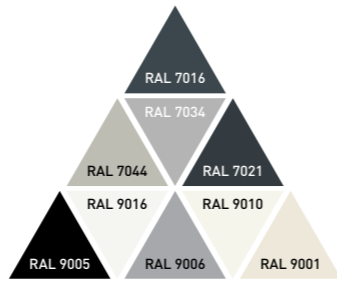
- New, glass supporting mechanism
- Easy installation
- Unlimited view
- Aesthetic cover options
- High static results
- Neues System
- Schnelle Montage
- Freie Sicht
- Ästhetisches Design
- Hohe statische Werte
- Nouveau, mécanisme de support de verre
- Installation rapide
- Visibilité illimitée
- Options de couvres esthétiques
- Bon résultat de statique



6+6 mm / 8+8 mm Glass



Plastic Cap
M3 Allen Key
M6 Set Screw



ELEGANT SERIES CL50

Glass Support Base Shoes

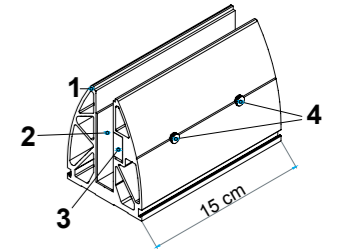


CL50-7276



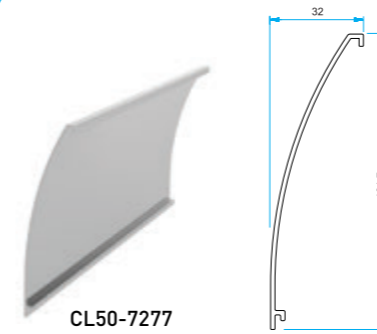
CL50-7276/30

Code	CL50-7276	CL50-7276/30
Length	15 cm	30 cm
Glass Thickness	12,4 mm / 17,52 mm Glass	
Prefabricated	✓	✓
Pressing Stick	Included	Included
Spacer	Included	Included
Set screws	Included	Included

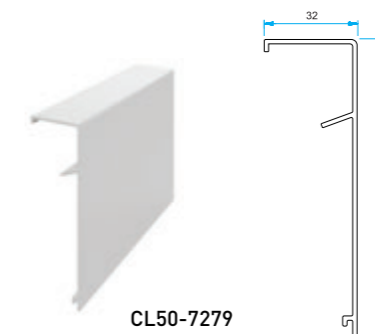


- Material List**
- 1- Glass support base shoe
 - 2- Spacer
 - 3- Pressing stick
 - 4- M6 Set screw

Covers

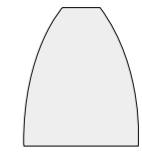


CL50-7277



CL50-7279

Endcaps



CL50-7277K



CL50-7279K

Fixing Components



BTS-VJ10X140
Universal Anchor

Gasket

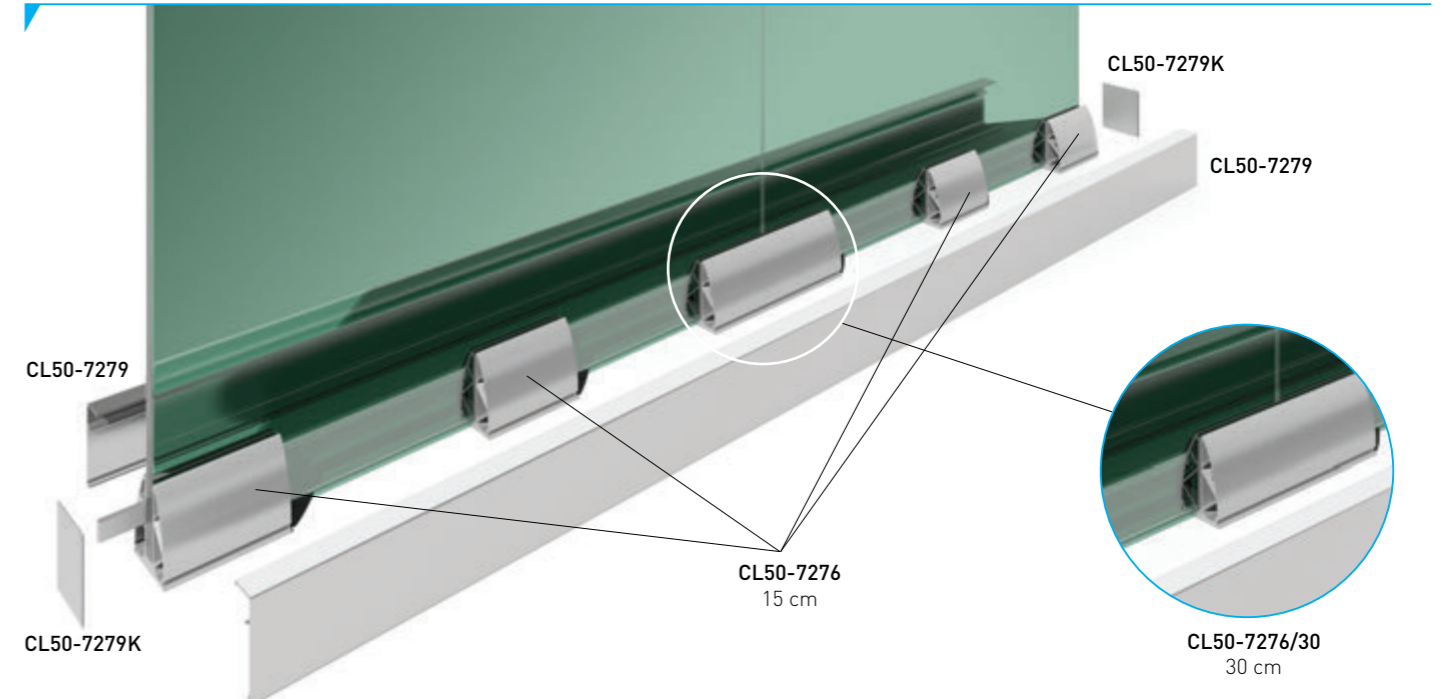


Glass Thickness		CL50
12 mm (13,76 mm)	Interior Gasket	CNT-022

• Epdm gaskets are sold on a box basis.



Installation Details



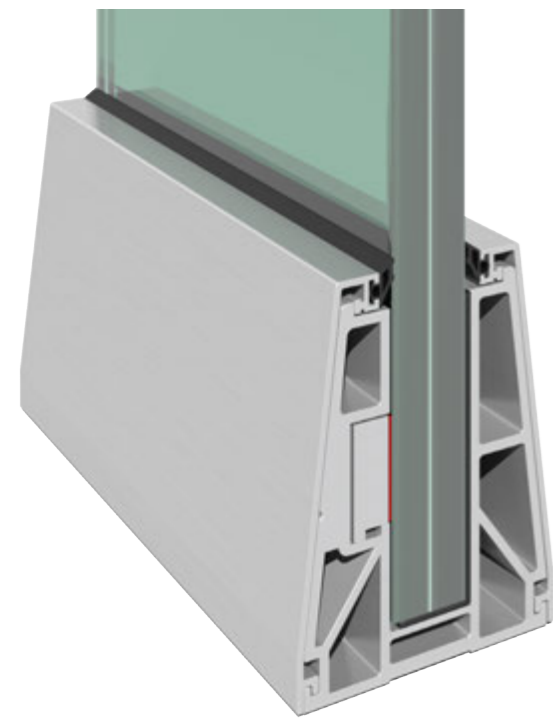
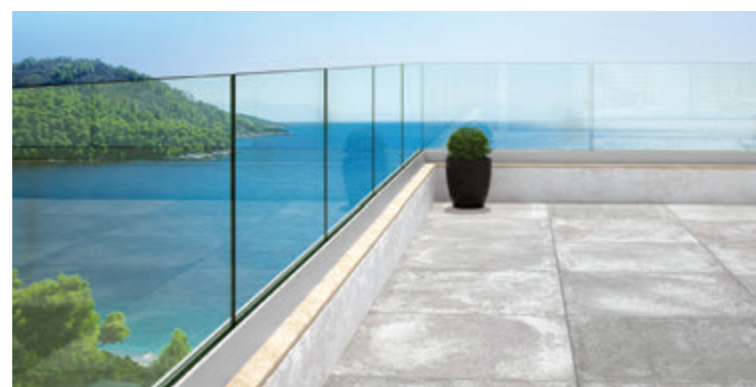


ELEGANT SERIES CL40

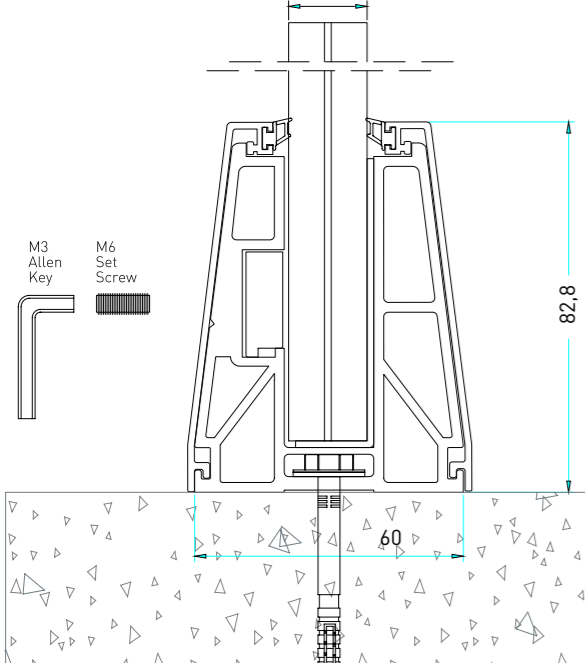
The BTS CL40 frameless glass railing system is designed and constructed with an aluminum base shoes without the use of vertical balusters or posts between glass infill panels. Our CL40 base shoe glass railing system is suitable for short sized glasses where it can be mounted on parapet concrete as an independent railing or in combination with many of our handrail profiles.

Das rahmenlose Glasgeländersystem BTS CL40 wurde mit Schuhen auf Aluminiumbasis ohne Verwendung vertikaler Geländer oder Pfosten zwischen Glasfüllungen entworfen und konstruiert. Unser Glasgeländersystem CL40 ist für kurze Gläser geeignet, bei denen es als eigenständiges Geländer oder in Kombination mit vielen unserer Handlaufprofile auf Brüstungsbeton montiert werden kann.

BTS CL40 est un système de garde-corps en verre sans cadre, il est construit des patins à base d'aluminium sans utiliser des balustres verticaux ou aussi des poteaux entre les panneaux de remplissage. Notre système de garde-corps en verre CL40 convient aux verres de petites taille ou il peut monter sur du béton de parapet comme garde-corps indépendant ou en combinaison avec certain de nos profils de main courante.



12,4mm / 13,52mm
16,4mm / 17,52mm Glass



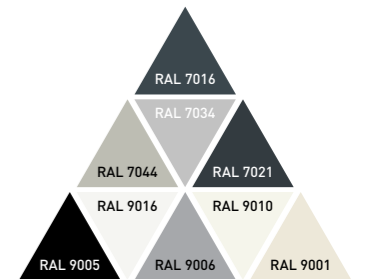
ELEGANT SERIES CL40

Glass Support Base Shoes



- Material List**
- 1- Glass support base shoe
 - 2- Spacer
 - 3- Pressing stick
 - 4- M6 Set screw

Code	CL40-9189	CL40-9189/30	CL40-5345	CL40-5345/30
Length	15 cm	30 cm	15 cm	30 cm
Glass Thickness	12,4mm/ 13,52 mm Glass		16,4mm/ 17,52 mm Glass	
Prefabricated	✓	✓	✓	✓
Pressing Stick	Included	Included	Included	Included
Spacer	Included	Included	Included	Included
Setscrews	Included	Included	Included	Included



Covers



Endcaps



You can watch the installation video of this system on Youtube BTS Aluminium TV Channel. Sie können das Installationsvideo dieses Systems auf Youtube BTS Aluminium TV ansehen. Vous pouvez regarder la vidéo de l'installation de ce système sur la chaîne Youtube BTS Aluminium TV.

Fixing Components



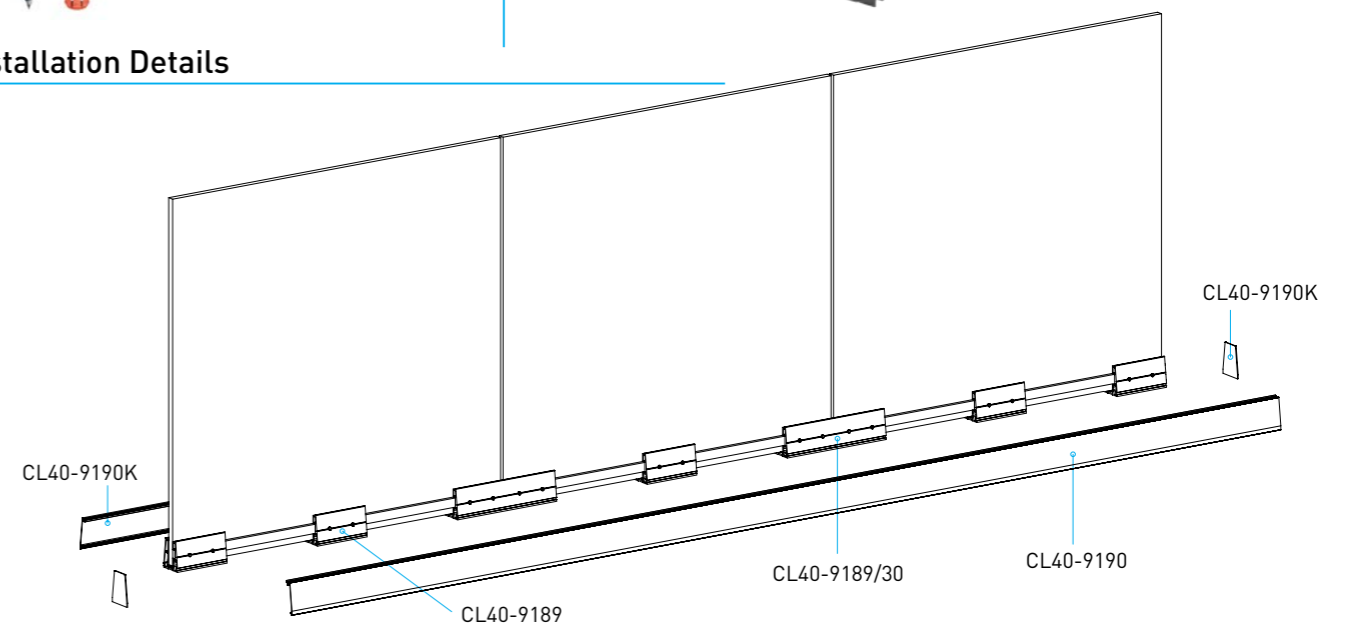
Gaskets



Glass Thickness	CL40	
12 mm (13,76 mm)	Interior Gasket	CNT-026
	Outer Gasket	CNT-026
16 mm (17,52 mm)	Interior Gasket	CNT-025
	Outer Gasket	CNT-025

• Epdm gaskets are sold on a box basis.

Installation Details



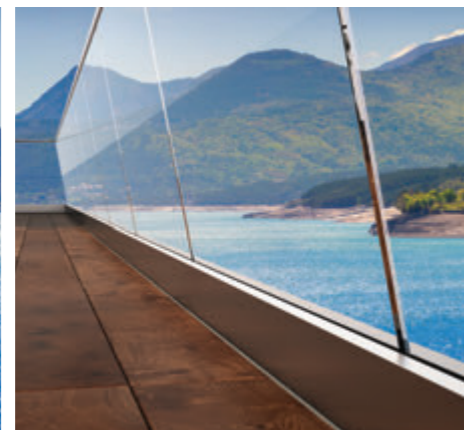
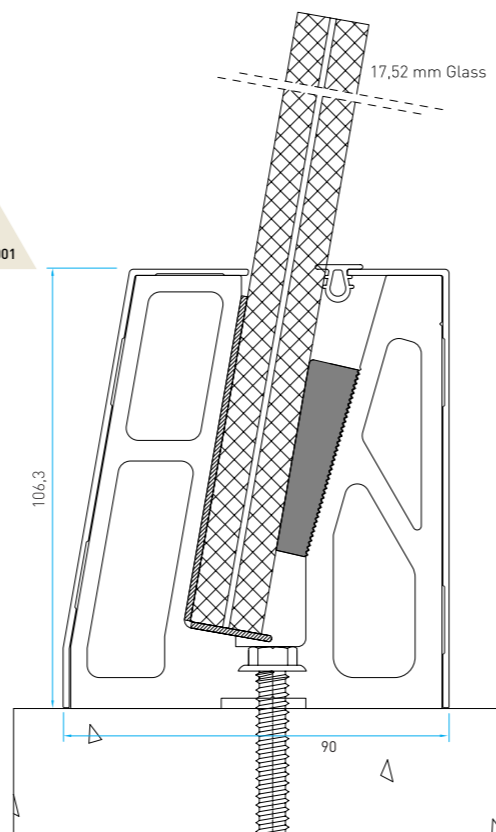
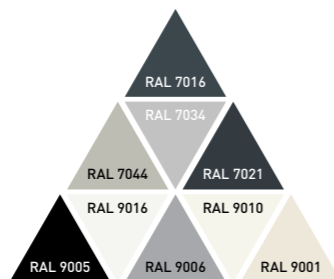
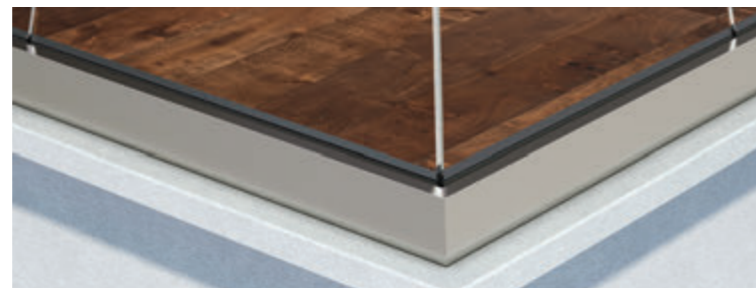
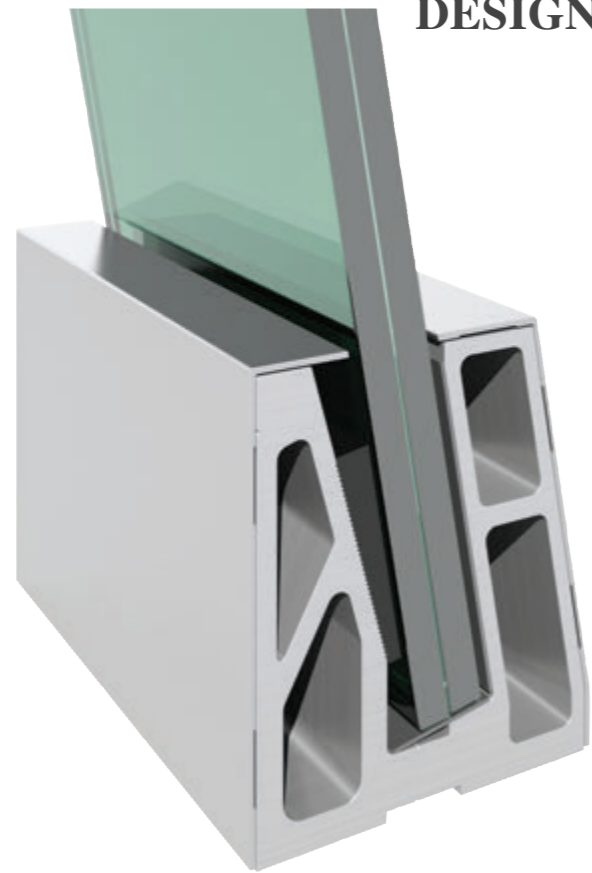


ELEGANT SERIES RX50 DESIGN

UK BTS Elegant RX50 Design which differs with it's aesthetic and designing, will be used only in design projects, reflects itself on whole building and it is very assertive when enriches the A plus projects with it's aesthetic view.

DE Unser Modell BTS Elegant RX50 Design hebt sich durch seine Ästhetik und sein Design ab. Es wird verwendet in Designprojekten und verleiht dem ganzen Gebäude eine spezielle Ausstrahlung.

FR Série BTS Elégante RX50, système de garde de corps en verre qui se présente différemment avec son imagination et esthétique, peut-être utilisée dans les projets spéciaux de A catégorie. Elle peut contribuer beaucoup à la valeur du projet en le rendant plus solide et plus esthétique.



ELEGANT SERIES RX50

Glass Support Base Shoes

RX50-7334
8,70 kg/m

RX50-7334/30

PR-7334
8,70 kg/m

RX50-KMS16 Wedge set for 8+8 mm Glass
RX50-KMS20 Wedge set for 10+10 mm Glass

Code	RX50-7334	RX50-7334-30	RX50-5325	RX50-5325-30	PR-7334
Length	15 cm	30 cm	15 cm	30 cm	200 cm
Glass Thickness	16,4 mm / 17,52 mm Glass		20,4 mm / 21,52 mm Glass		16,4 mm / 21,52 mm
Prefabricated	✓	✓	✓	✓	Upon Request
Plastic Wedge + Spacer	Included	Included	Included	Included	X

Material List
1- Glass support base shoe
2- Spacer
3- Plastic wedge

Covers

RX50-7335
Inner Cover

RX50-7336
Rear Cover

Endcaps

RX50-7336K

Fixing Components

BTS-KB10X140

AK-5299
Wedge Fixing Tool

Gaskets

Glass Thickness		RX50
16 mm (17,52 mm)	Interior Gasket	CNT-023
20 mm (21,52 mm)	Interior Gasket	FT11

• Epdm gaskets are sold on a box basis.

Installation Details

RX50-7336

RX50-7335

RX50-7334/30
30 cm

RX50-7334
15 cm

RX50-7336K

Projection distance of system
Neigung
Distance de procection du système

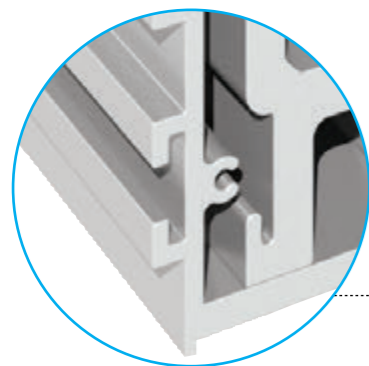
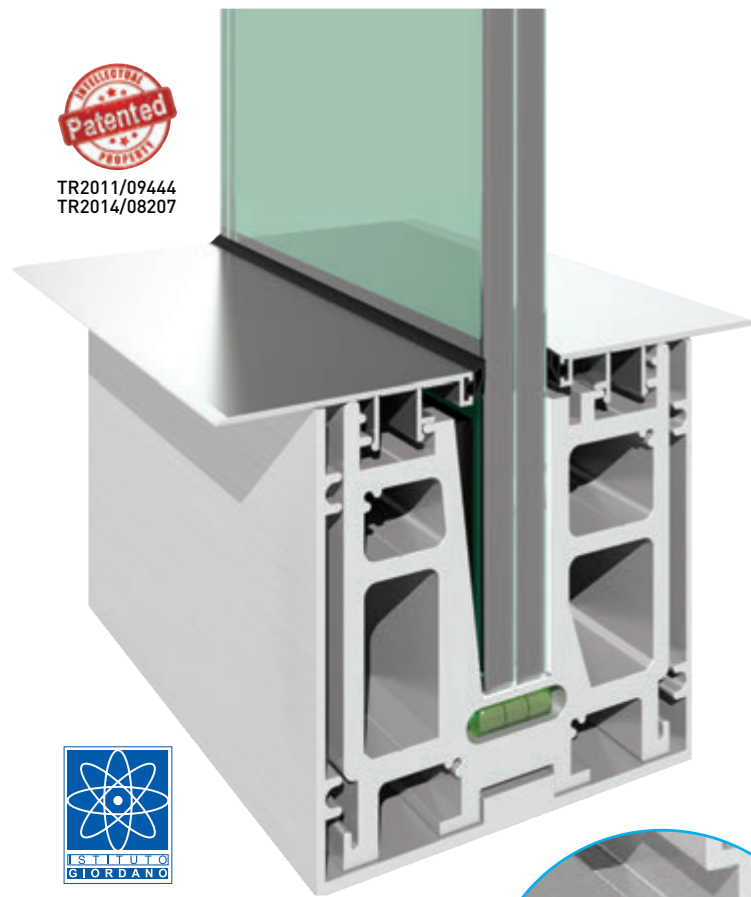


ELEGANT SERIES CA50

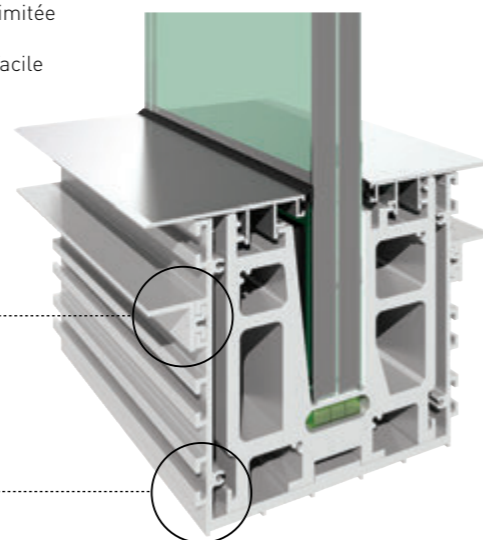
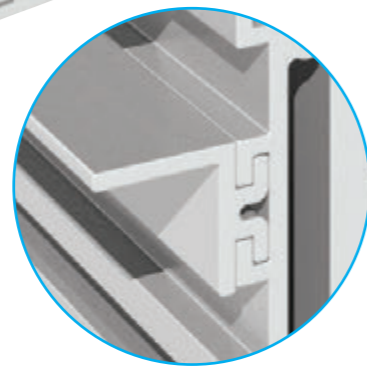
ELEGANT SERIES CA50



TR2011/09444
TR2014/08207



Height Adjusting Profile
Höheneinstellungsprofil
Définitions des onglets



Height Adjusting U Case Profile Option
Höheneinstellungsprofil für U Gehäuse
Option pour cadre réglable

🇬🇧 BTS Elegant in-floor glass supporting system distinguish your precious buildings with it's durability, aesthetic view and being brand new system. Besides, it provides more view space.

In-floor fixing parts are closed with caps which have special gaskets on it. Provides unlimited view, stability. The best solution Elegant CA50.

- Newest and safest system in railing
- Unlimited view
- Aesthetic design
- Easy cleaning

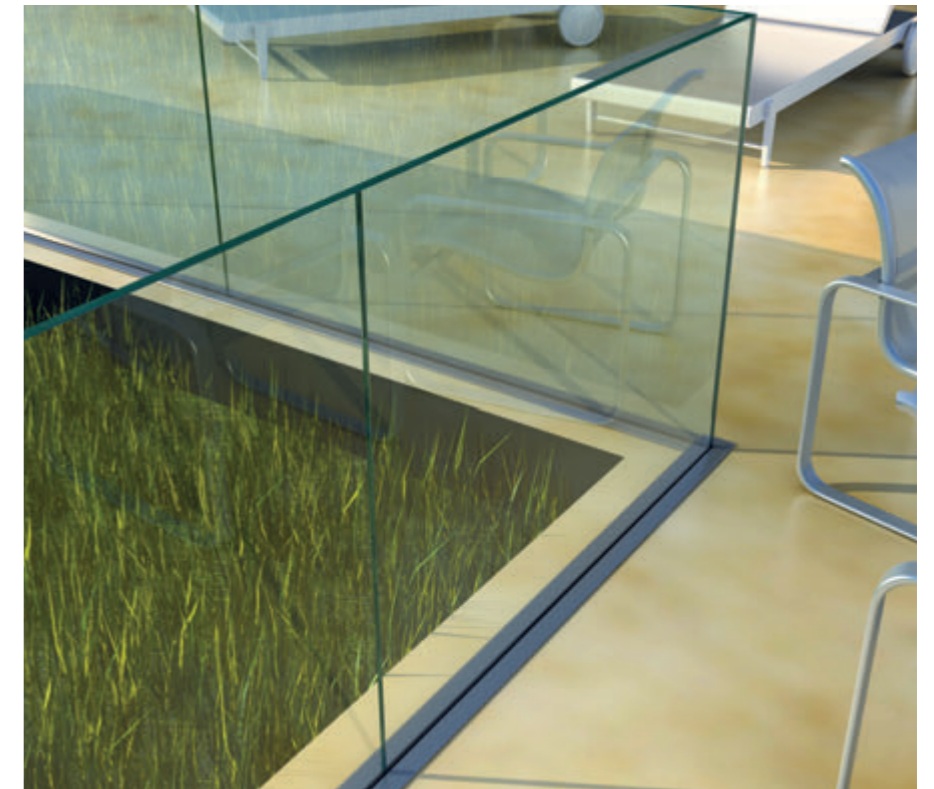
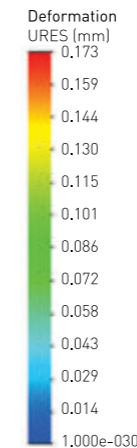
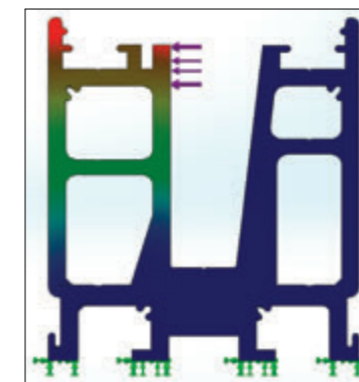
🇩🇪 Durch im Boden versenkte Befestigungssystem entsteht eine größere Nutzungsfläche und freie Sicht. Die Bodensysteme werden mit wasserdichten Profilen bedeckt.

- Innovatives und sicheres Geländersystem
- Freie Sicht
- Ästhetisches Design
- Einfache Reinigung

🇫🇷 Série élégante ajoute une valeur supplémentaire aux structures précieuses et offre également un espace libre dans la zone où l'on applique grâce au système de connexion dans le sol. Ce Système est convenable pour le verre feuillté trempé de 12 mm, 16 mm et 20 mm d'épaisseur. Les composants de connexion sous-sol sont protégés par les joints avec grande étanchéité. Laissant la grande visibilité libre, c'est la meilleure solution qui vous fait sentir le confort.

- Système le plus récent et le plus sûr pour garde-corps
- Visibilité illimitée
- Esthétique
- Nettoyage facile

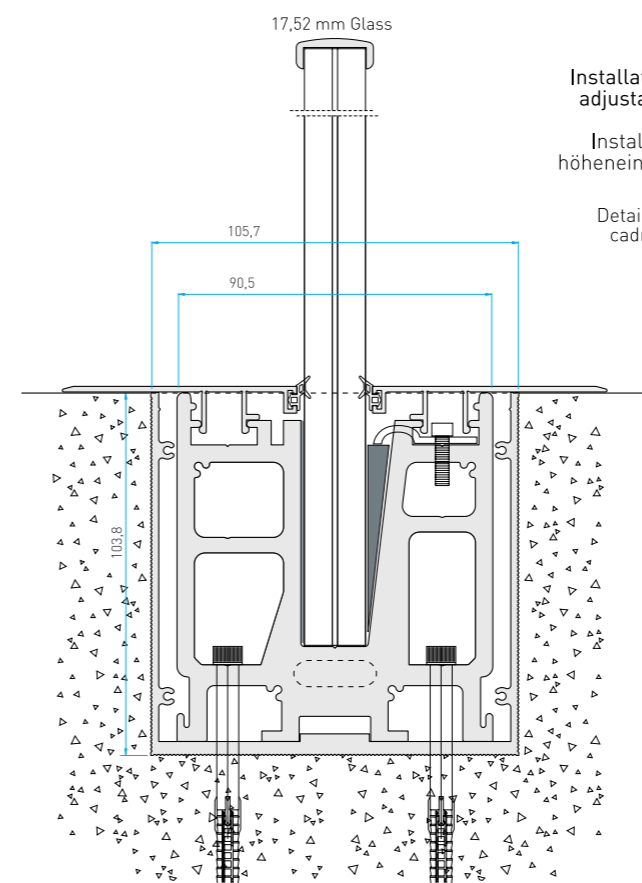
Mass/Block/Masse: 9.89846 kg
Volume/Volumen/Volume: 0.000517958 m³
Density/Dichte/Densité: 2700 kg/m³
Weight/Gewicht/Poids/Force: 13.7052 N



Alloy EN AW 6063
Stress and relocation results on 1mt base profile with 1 tone (10.000 nt) horizontal load to the highest surface of the profile.

Belastungs- und Verlagerungsergebnisse auf 1 m Basis Profil bei Belastung mit 1 Tonne (10.000 NT), horizontale Belastung auf der höchsten Oberfläche des Profils.

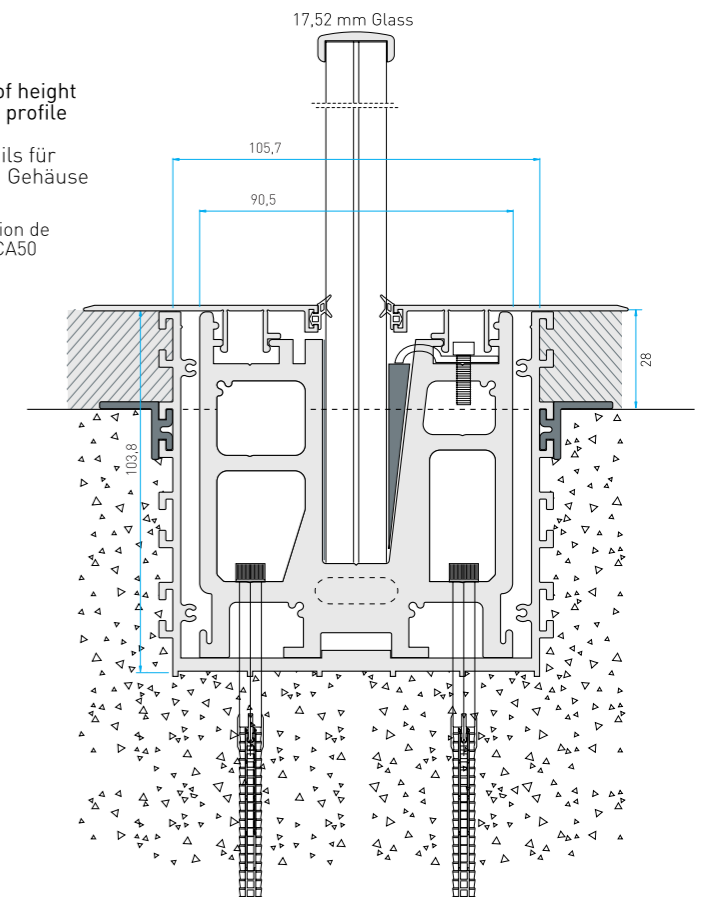
EN AW 6063
Le stress et le démenagement résultant sur la surface la plus haute de profilé de base de 1 mt à la suite d'une charge horizontale de 1000 kg.



Installation detail of height adjustable U case profile

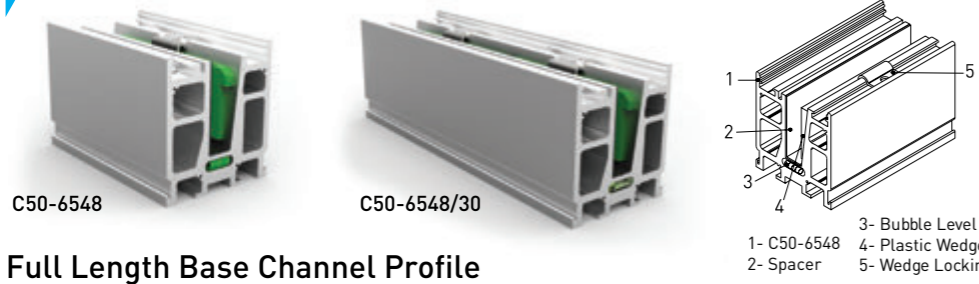
Installationsdetails für höheneinstellbare U Gehäuse

Details d'application de cadre réglable CA50





Glass Support Base Shoes



C50-6548

C50-6548/30

1- C50-6548
2- Spacer
3- Bubble Level
4- Plastic Wedge
5- Wedge Locking

Gaskets

Glass Thickness	CA50	
10 mm	Interior Gasket	CNT-029
	Outer Gasket	CNT-025
12 mm (13,76 mm)	Interior Gasket	CNT-026
	Outer Gasket	CNT025
16 mm (17,52 mm)	Interior Gasket	CNT025
	Outer Gasket	CNT-025
20 mm (21,52 mm)	Interior Gasket	CNT-025
	Outer Gasket	CNT-025

• Epdm gaskets are sold on a box basis.

Full Length Base Channel Profile



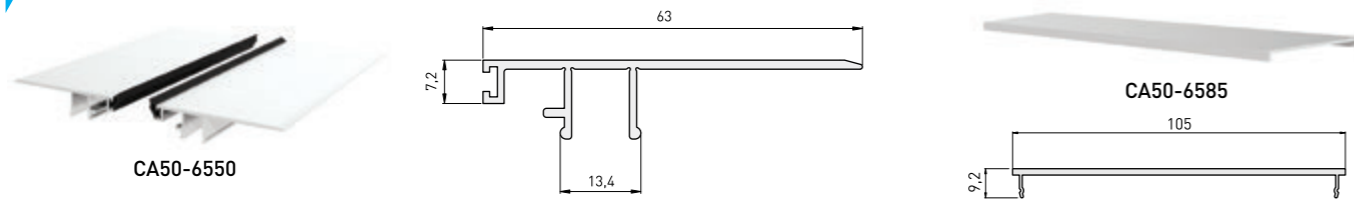
P-1001
9,50 kg/m



C50-KMS12 Wedge set for 6+6 mm Glass
C50-KMS16 Wedge set for 8+8 mm Glass
C50-KMS20 Wedge set for 10+10 mm Glass

Code	C50-5280	C50-5280/30	C50-6548	C50-6548/30	C50-6844	C50-6844/30	P-1001	P-1006
Length	15 cm	30 cm	15 cm	30 cm	15 cm	30 cm	200 cm	200 cm
Glass Thickness	12,4mm/ 13,52 mm Glass		16,4mm/ 17,52 mm Glass		20,4mm/ 21,52 mm Glass		12,4 / 17,52 mm	20,4 / 21,52 mm
Prefabricated	✓	✓	✓	✓	✓	✓	Upon Request	Upon Request
Plastic Wedge	Included	Included	Included	Included	Included	Included	X	X
Spacer	Included	Included	Included	Included	Included	Included	X	X
Wedge Locking	Included	Included	Included	Included	Included	Included	X	X

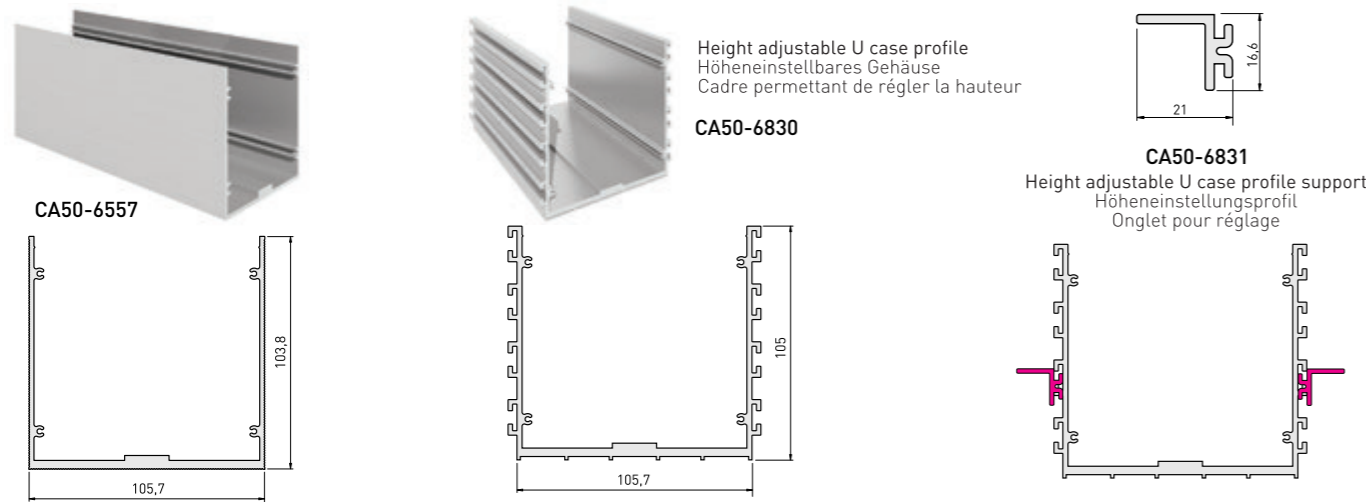
Covers



CA50-6550

CA50-6585

System U Case Profiles

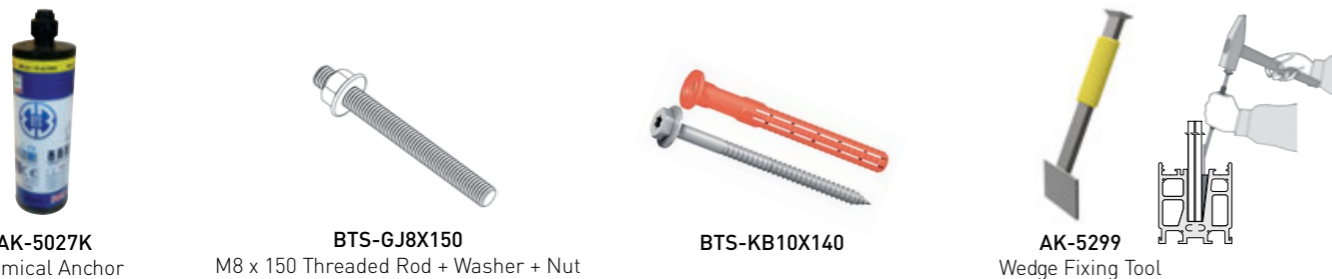


CA50-6557

CA50-6830

CA50-6831

Fixing Components



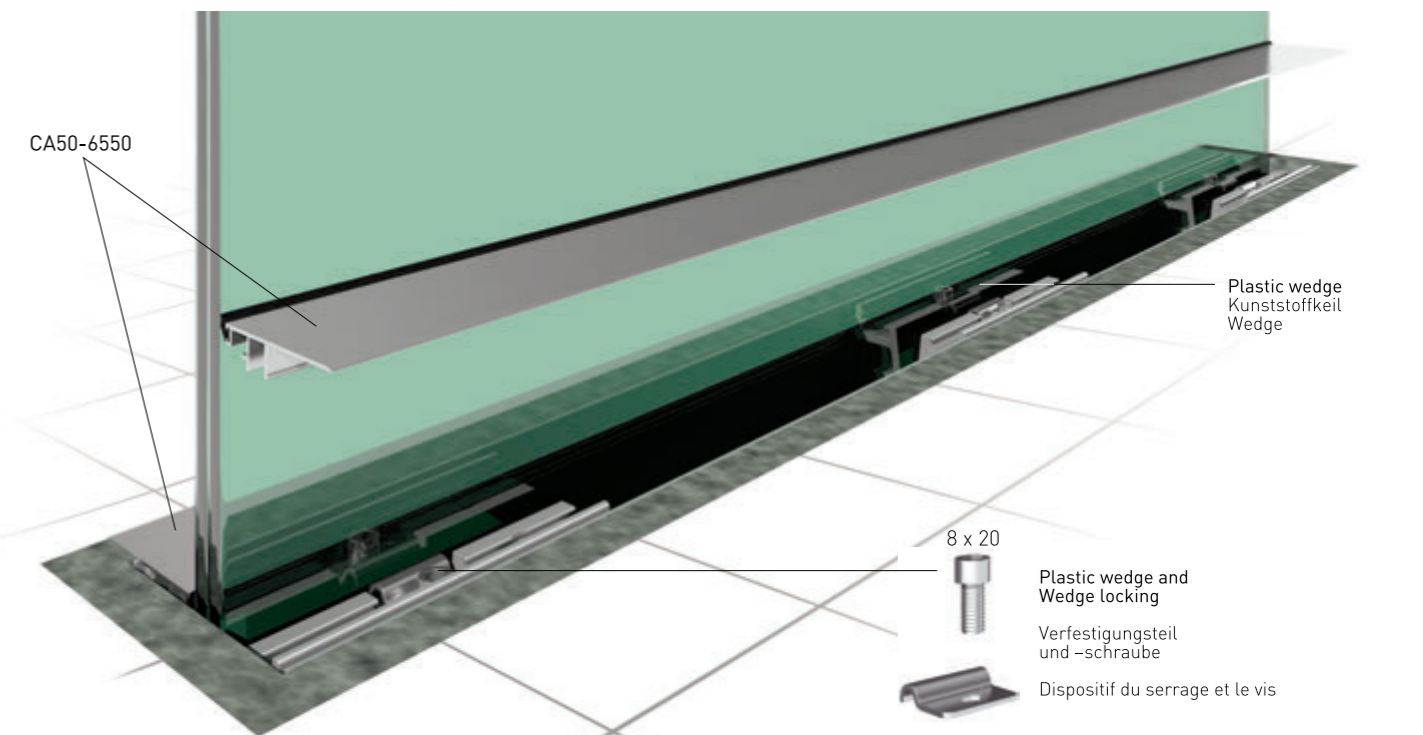
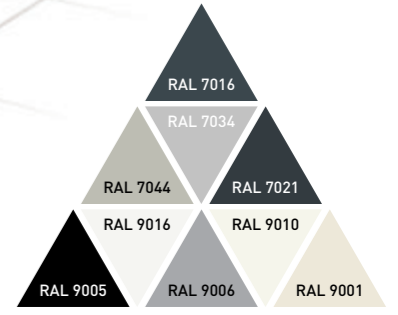
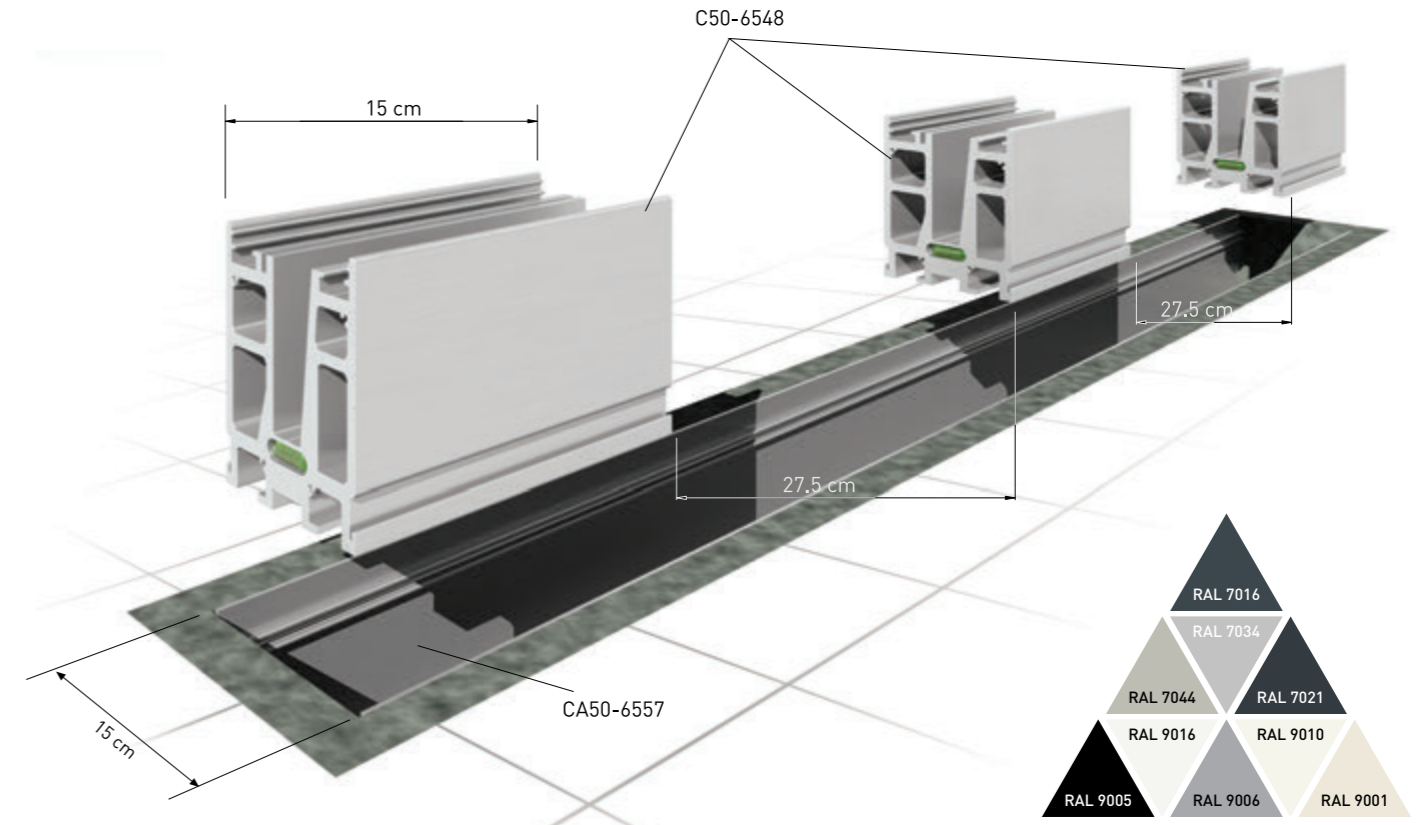
AK-5027K
Chemical Anchor

BTS-GJ8X150
M8 x 150 Threaded Rod + Washer + Nut

BTS-KB10X140

AK-5299
Wedge Fixing Tool

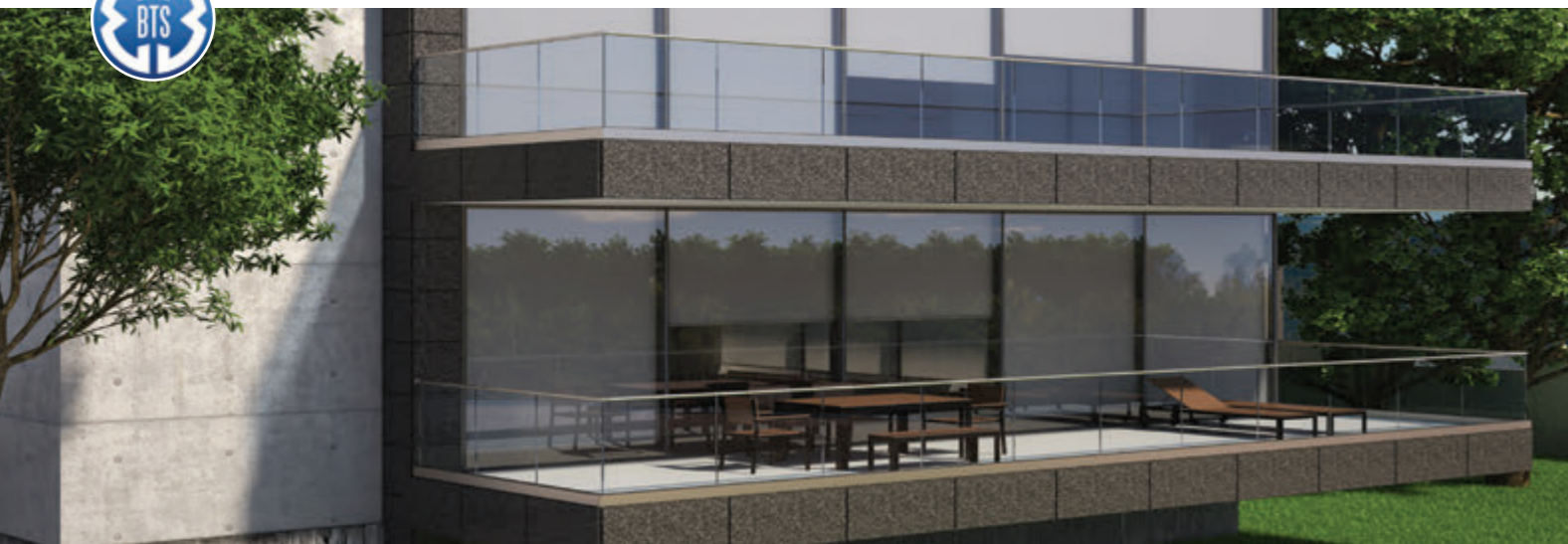
Installation Details



8 x 20
Plastic wedge and Wedge locking
Verfestigungsteil und -schraube
Dispositif du serrage et le vis



You can watch the installation video of this system on Youtube BTS Aluminium TV Channel. Sie können das Installationsvideo dieses Systems auf Youtube BTS Aluminium TV ansehen. Vous pouvez regarder la vidéo de l'installation de ce système sur la chaîne Youtube BTS Aluminium TV.

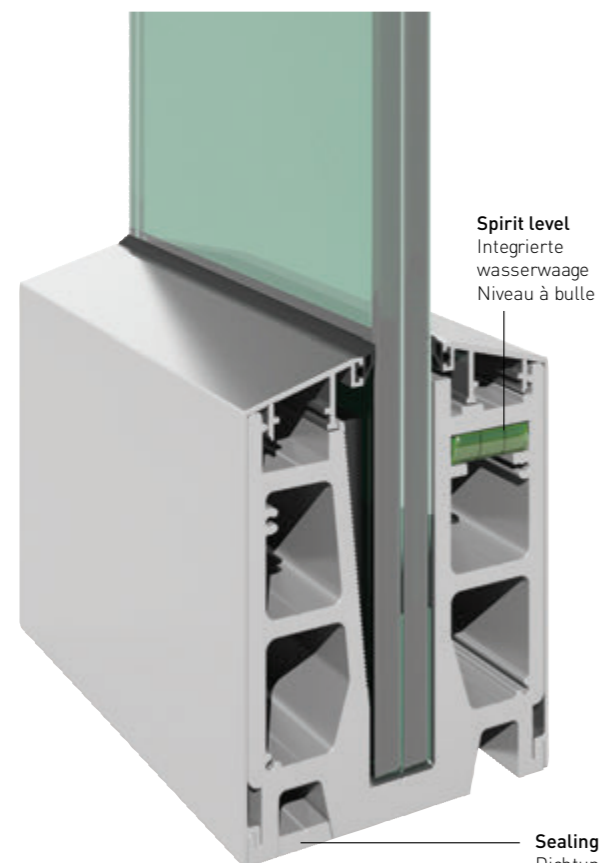


ELEGANT SERIES CX50

✚ BTS Elegant CX50 type glass railing is designed for higher dimensions than standard railings and it's glass supporting depth is 100 mm. The serie BTS Elegant CX50 which enriches your high standard prestigious projects, is produced to supply highest resistance and safety.

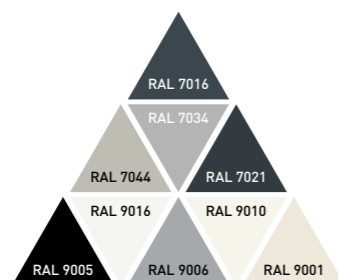
🇩🇪 Das BTS Elegant CX50 Glasgelande wurde für den Einsatz für höhere Abmessungen (im Vergleich zu Standardgelande) entworfen. Die Glaslagerungstiefe im Gehäuse ist 100 mm. Die BTS Elegant CX50 Serie bereichert den hohen Standard Ihrer Prestigeobjekte. Das Glasgelande ist produziert um höchste Widerstandsfähigkeit und Sicherheit zu bieten.

🇫🇷 Série BTS Elégante CX50, système de garde de corps en verre, est désignée comme garde de corps ayant des dimensions supérieures à ceux des gardes corps normaux. Le support du verre a un largeur de 100 mm. Ce système peut rendre vos projets de grand standarts plus prestigieux en les rendant plus résistants, plus surs et plus solides.



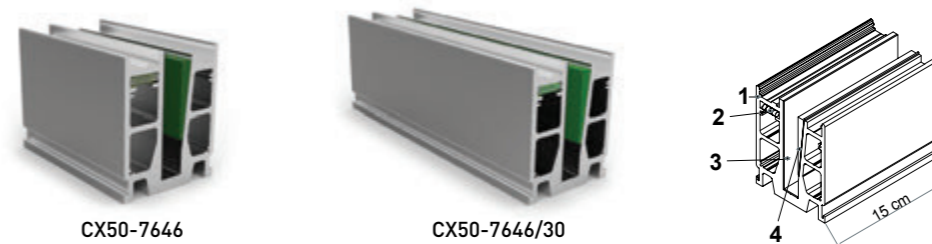
Spirit level
Integrierte
wasserwaage
Niveau à bulle

Sealing profile
Dichtungsprofile
Profilé d'étanchéité



ELEGANT SERIES CX50

Glass Support Base Shoes



- Material List**
- 1- Glass support base shoe
 - 2- Bubble level
 - 3- Spacer
 - 4- Plastic wedge

Full Length Base Channel Profile



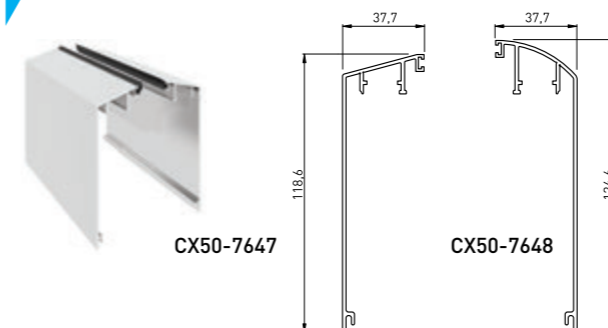
Gaskets

Glass Thickness		CX50
16 mm (17,52 mm)	Interior Gasket	CNT-025
	Outer Gasket	CNT-025

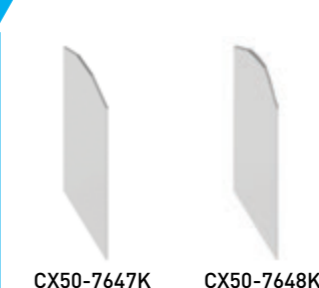
• Epdm gaskets are sold on a box basis.

Code	CX50-5284	CX50-5284/30	CX50-7646	CX50-7646/30	PR-7646
Length	15 cm	30 cm	15 cm	30 cm	200 cm
Glass Thickness	12,4 mm / 13,52 mm Glass		16,4 mm / 17,52 mm Glass		12,4mm / 17,52mm
Prefabricated	✓	✓	✓	✓	Upon Request
Plastic Wedge +Spacer	Included	Included	Included	Included	X

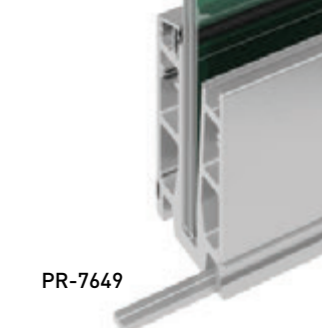
Covers



Endcaps



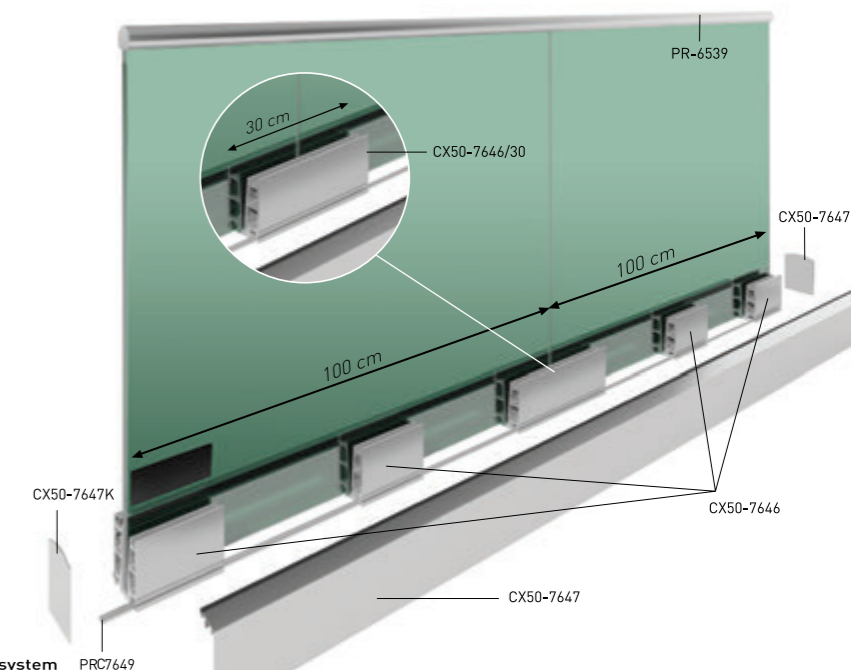
Alignment Profile



Fixing Components



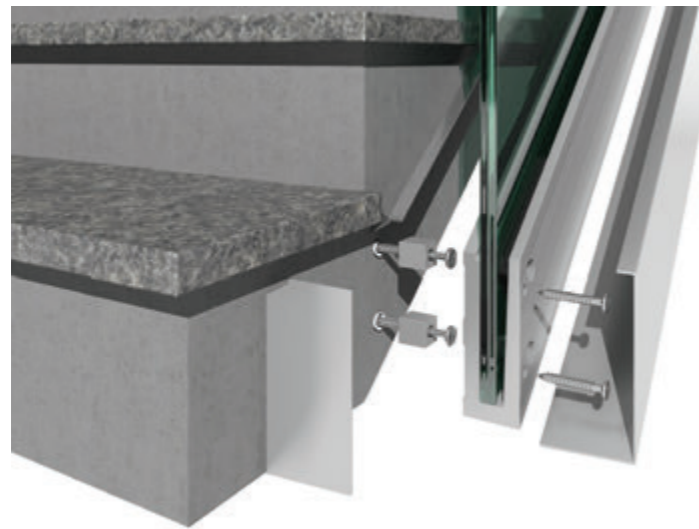
You can watch the installation video of this system on Youtube BTS Aluminium TV Channel. Sie können das Installationsvideo dieses Systems auf Youtube BTS Aluminium TV ansehen. Vous pouvez regarder la vidéo de l'installation de ce système sur la chaîne Youtube BTS Aluminium TV.



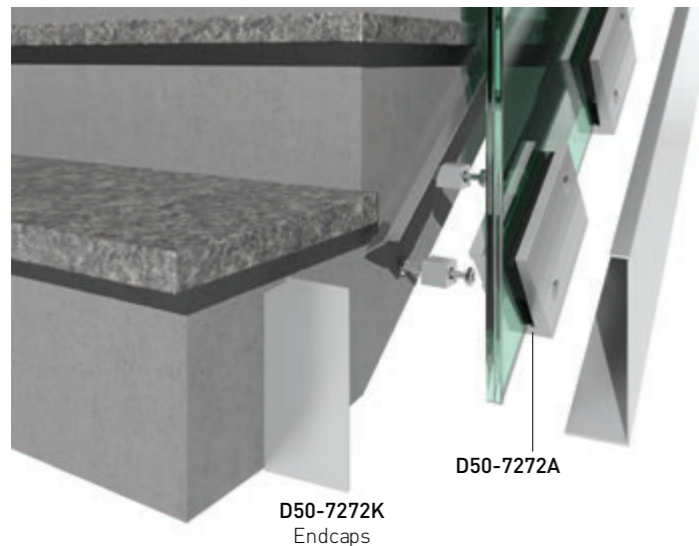


ELEGANT SERIES D50

- Detail of linear profile application
- Anwendungsdetail des linearen Profils
- Détails de l'utilisation de profil en toute longueur



- Detail of piece by piece application
- Anwendungsdetail für Stücke
- Détail de l'utilisation du profil en longueur choisie



D50-7272K Endcaps

🇩🇪 D50 is the side mount staircase type glass railing system. It's bringing easy application details, aesthetic view and durability concepts together in high standard projects. It has in piece application and linear application choices. Also adjusting fixtures are helping to alignment of system. By this way, BTS Elegant systems are adding new type to it's product range.

🇧🇪 Unser Glasgeländer D50 wird verwendet zur seitlichen Montage an Treppen. Es bietet einfache Montage, ästhetisches Design und lange Lebensdauer. Dieses System kann sowohl "als Stück" als auch linear montiert werden, ganz nach Ihren Wünschen. Durch das Zubehör kann der Höhenunterschied leicht eingestellt werden. Das Glasgeländer D50 ist ein neues Produkt innerhalb unserer Elegant Linie.

🇫🇷 Série BTS Elégante D50 est le système de garde de corps avec connexion latérale aux escaliers. Ce système offre des solutions pratiques pour les connexions aux escaliers; montage facile, vue esthétique et sécurité maximum. Vous pouvez utiliser le profil main courant en toute taille ou en longueur choisie. On peut avoir l'alignement dans les escaliers en utilisant des appareils d'ajustement. C'est encore un autre système que nous avons ajouté aux produits de BTS.



You can watch the installation video of this system on Youtube BTS Aluminium TV Channel. Sie können das Installationsvideo dieses Systems auf Youtube BTS Aluminium TV ansehen. Vous pouvez regarder la vidéo de l'installation de ce système sur la chaîne Youtube BTS Aluminium TV.

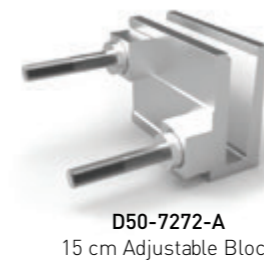
ELEGANT SERIES D50

Side Mount Staircase Type Glass Railing Treppentyp Glasgelaender / Montage direct à la paroi latérale

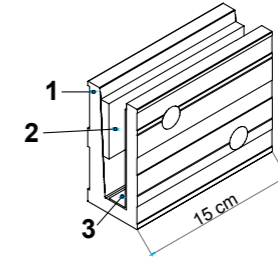
Glass Support Base Shoes



D50-7272
15 cm Standard Block

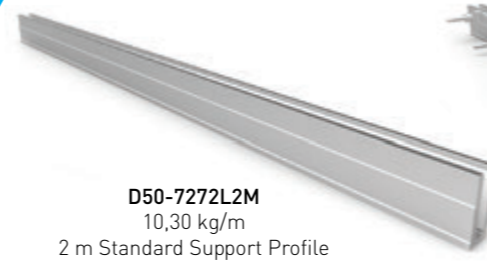


D50-7272-A
15 cm Adjustable Block



- Material List**
- 1- Glass support base shoe
 - 2- Spacer
 - 3- Plastic wedge

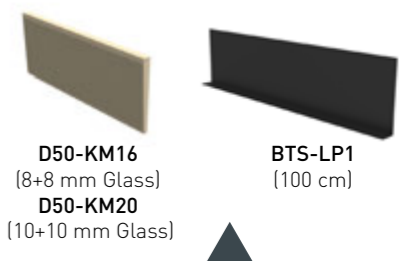
Full Length Base Channel Profiles



D50-7272L2M
10,30 kg/m
2 m Standard Support Profile



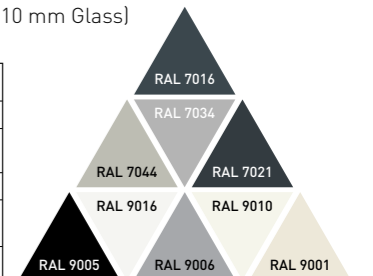
D50-7272AL2M
2 m Adjustable Support Profile



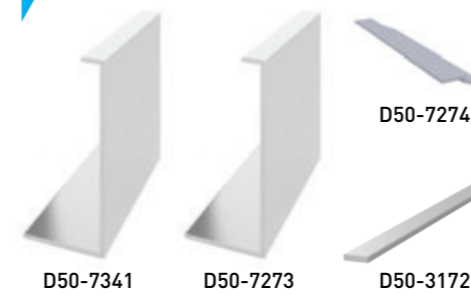
D50-KM16
(8+8 mm Glass)
D50-KM20
(10+10 mm Glass)

BTS-LP1
(100 cm)

Code	D50-7272	D50-7272-A	D50-5335	D50-5335-A	D50-7272L2M	D50-7272AL2M
Length	15 cm	15 cm	15 cm	15 cm	200 cm	200 cm
Glass Thickness	16,4 mm / 17,52 mm Glass		20,4 mm / 21,52 mm Glass		16,4 mm / 17,52 mm Glass 20,4 mm / 21,52 mm Glass	
Prefabricated	✓	✓	✓	✓	✓	Upon Request
Plastic Wedge +Spacer	Included	Included	Included	Included	X	X
Adjusting Supports	X	Included	X	Included	X	Included



Covers



D50-7341

D50-7273

D50-3172

D50-7274

Gaskets



Glass Thickness	Outer Gasket	D50
16 mm (17,52 mm)	Outer Gasket	CNT-021
20 mm (21,52 mm)	Outer Gasket	CNT-022

• Epdm gaskets are sold on a box basis.

Fixing Components

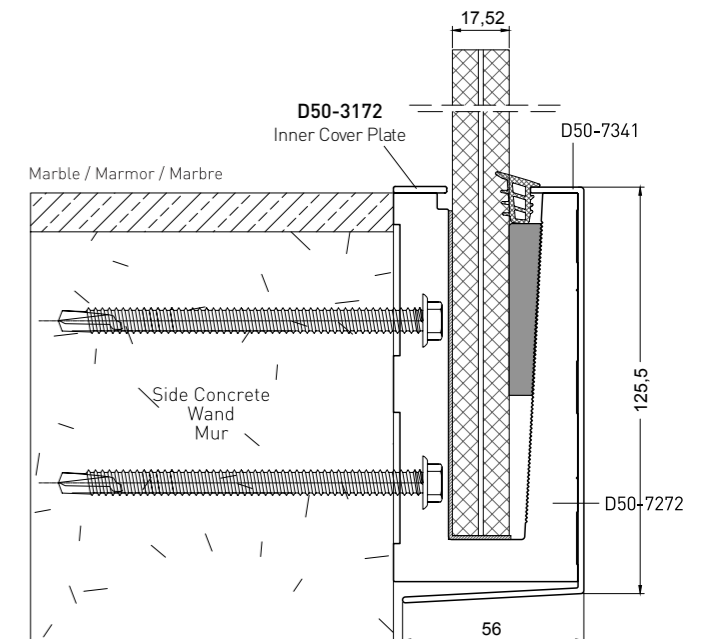
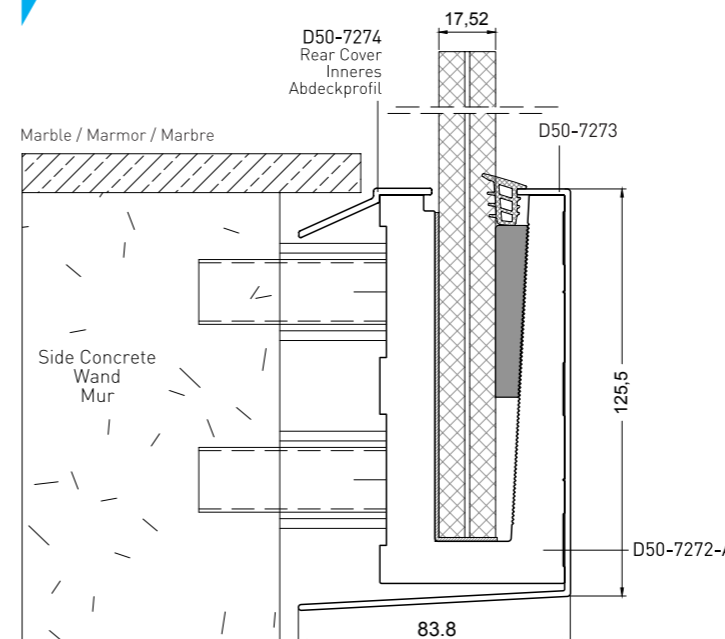


BTS-KB10X140

AK-5299

Wedge Fixing Tool

Installation Details





ELEGANT SERIES D55



Bendable Side Fix Glass Railing System D55: The new type of Side Fix Glass Railing model in Elegant Systems. D55 Side Fix glass railing model is also coming with easy installation steps and it can be used in curved areas. It has two application options such as part by part supporting or continuous profile supporting. For curved areas, it is coming like ready bended profile. The main support profile is bended according to the radius dimensions in your projects and you can directly fix the profile to the edge of application area. The cover profiles are also suitable for bending and it is closing all installation details with its smooth, anodized and ral coated surface... D55 Side Fix Glass railing is also having highest sturdiness that you can install with full confidence.

- Suitable For Curved Areas
- Bended Aluminium Glass Supporting Profile
- Easy Installation
- Part by Part Supporting option
- Unlimited View
- Best Solution for Side Fix Glass Railing

D55: Un nouveau modèle avec connection frontale parmi les séries ELégants de garde corps en verre. Ce système D55 avec connection frontale offre des avantages d'usage dans les zones bombées. Pour les zones bombées, on livre les profilés de D55 déjà centrés. On fait le centrages des profilés selon les radius indiqués dans vos projets. On livre également les profilés de cache centrés avec le même radius. Ces profilés peuvent être soit anodisés ou soit peints avec des RAL couleurs. Vous pouvez fournir en toute sécurité la plus haute durabilité avec D55.

- Convenables pour les zones bombées.
- Profilé de support de verre est déjà centré
- Application facile
- Options d'application pièce par pièce.
- Vue uninterubtile
- Meilleure solution parmi les systèmes de connection frontale



ELEGANT SERIES D55

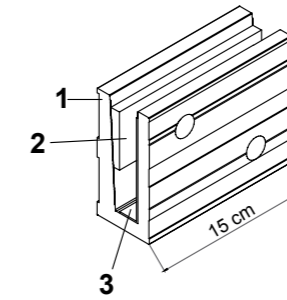
Bendable Side Fix Glass Railing System

Biegsames Glasgeländersystem zur externen Befestigung
Système de rampe en verre centrable avec connection frontale

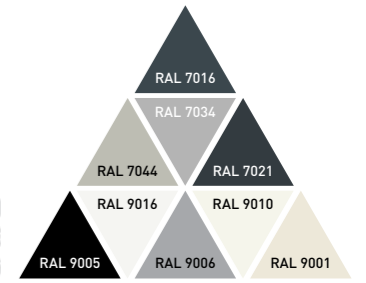
Glass Support Base Shoes



D55-7927



- Material List**
- 1- Glass support base shoe
 - 2- Plastic wedge
 - 3- Spacer



Full Length Base Channel Profiles



D55-7927/2M
9,20 Kg/m



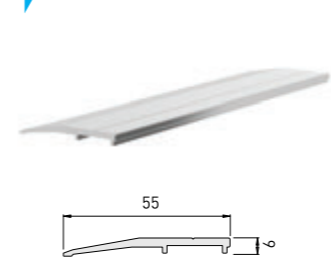
D55-KM16
(8+8 mm Glass)
D55-KM20
(10+10 mm Glass)



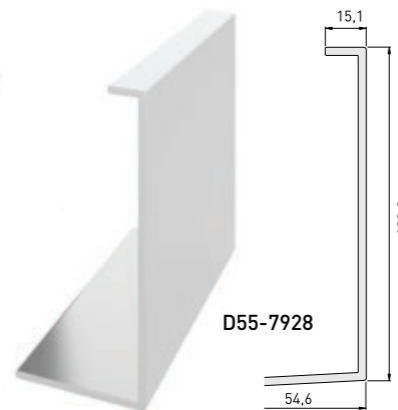
BTS-LP1
(100 cm)

Code	D55-7927	D55-5340	D55-7927/2M
Length	15 cm	15 cm	200 cm
Glass Thickness	16,4 mm / 17,52 mm	20,4 mm / 21,52 mm	16,4 mm / 17,52 mm / 20,4 mm / 21,52 mm
Prefabricated	✓	✓	Upon Request
Plastic Wedge +Spacer	Included	Included	X

Covers



D55-7960
Dual Use For
8+8 mm & 10+10 mm Glass



D55-7928

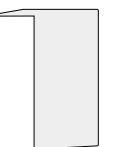
Gaskets



Glass Thickness	D55	
16 mm (17,52 mm)	Interior Gasket	CNT-021
20 mm (21,52 mm)	Interior Gasket	CNT-022

• Epdm gaskets are sold on a box basis.

Endcaps

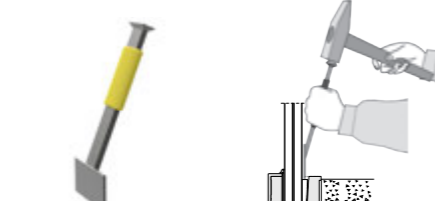


D55-7927K

Fixing Components



BTS-KB10X140

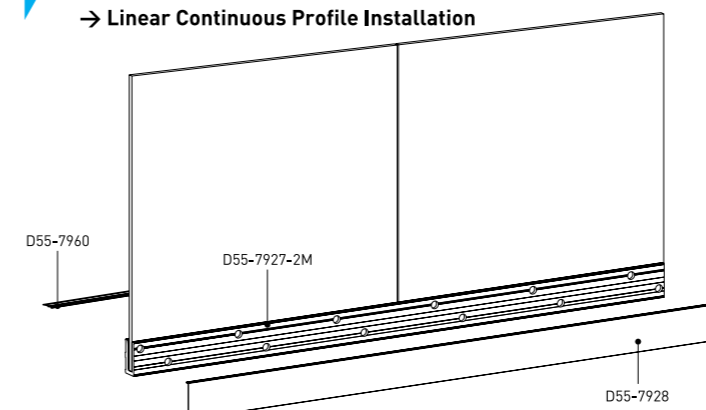


AK-5299
Wedge Fixing Tool

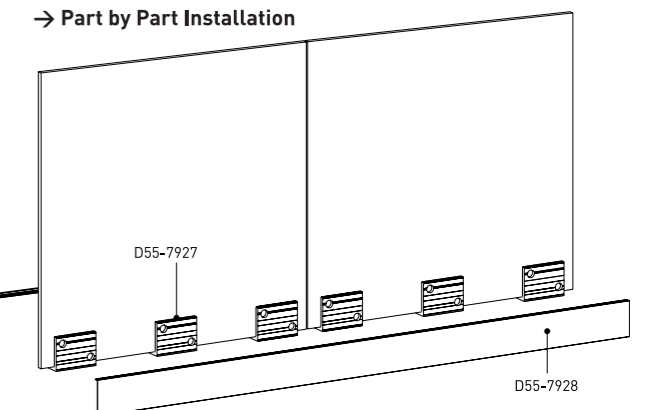


Installation Details

→ Linear Continuous Profile Installation



→ Part by Part Installation





ELEGANT SERIES AL50

Seitliches Glas Befestigungssystem / Système de Connexion Latérale



ELEGANT SERIES AL50



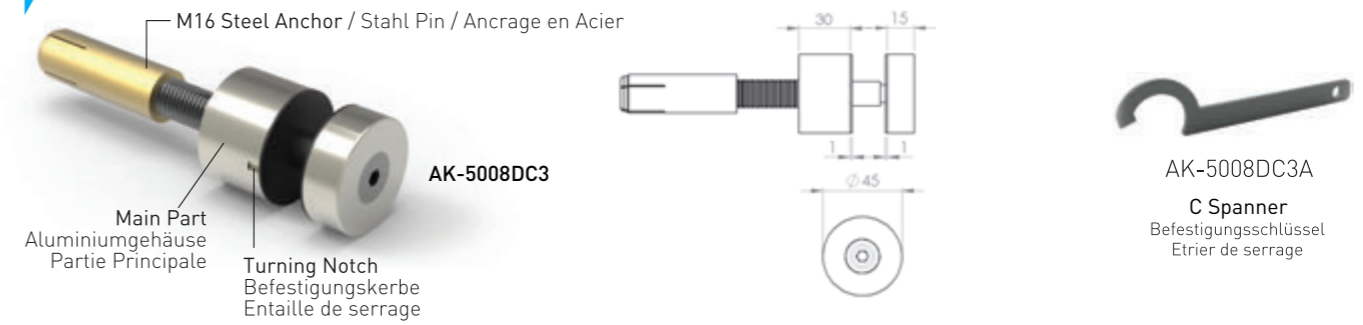
The BTS Standoff Glass Adapters are fully frameless glass railing systems that eliminate vertical posts. Standoff Glass Adapters allow the glass to "float" off the fascia and are not visible from the interior side of the glass, giving the seamless appearance of almost no railing at all. BTS Standoff glass adapters are compatible with 8+8mm and 10+10mm glass. Available in a variety of styles and sizes, Standoff Glass Adapters are sleek and contemporary, providing an artistic appearance that enhances both interior and exterior environments.

Die BTS Standoff Glass Adapter sind vollständig rahmenlose Glasgeländersysteme, die vertikale Pfosten eliminieren. Abstandsglasadapter lassen das Glas von der Frontblende „schweben“ und sind von der Innenseite des Glases nicht sichtbar, sodass fast keine Reling entsteht. BTS Standoff Glasadapter sind kompatibel mit 8 + 8mm und 10 + 10mm Glas. Die in verschiedenen Stilen und Größen erhältlichen Standoff-Glasadapter sind elegant und zeitgemäß und bieten ein künstlerisches Erscheinungsbild, das sowohl die Innen- als auch die Außenumgebung verbessert.

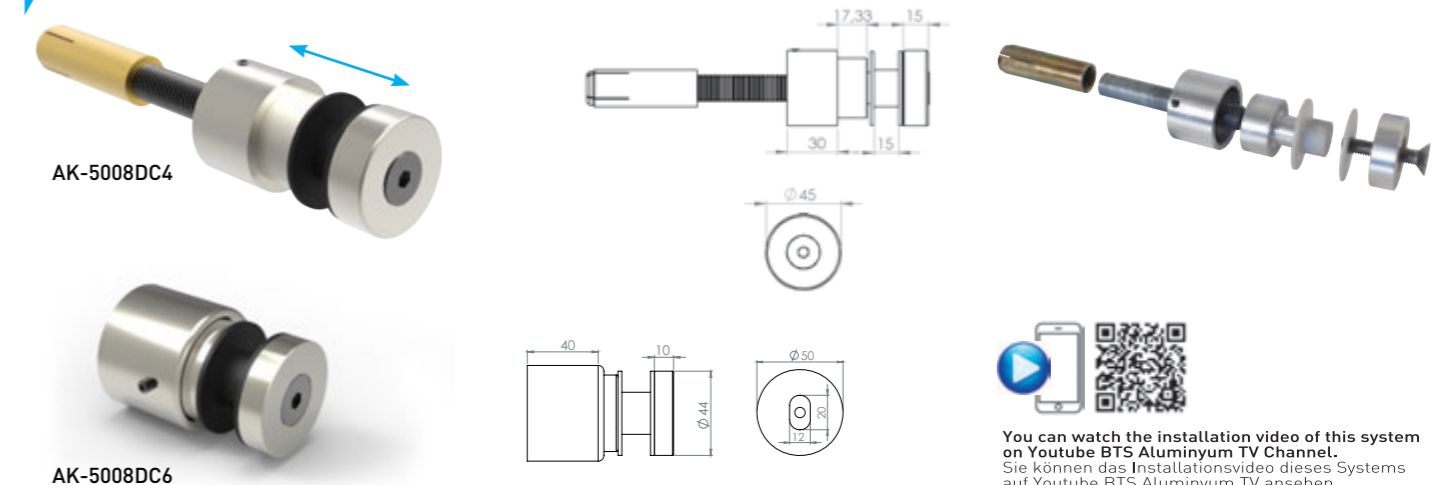
Les adaptateurs en verre BTS Standoff sont des systèmes de garde-corps en verre sans cadre qui éliminent les poteaux verticaux. Les adaptateurs en verre espacés permettent au verre de «flotter» hors du fascia et ne sont pas visibles de l'intérieur du verre, donnant l'apparence transparente de presque aucune balustrade du tout. Les adaptateurs pour verre BTS Standoff sont compatibles avec le verre 8 + 8 mm et 10 + 10 mm. Disponibles dans une variété de styles et de tailles, les adaptateurs en verre Standoff sont élégants et contemporains, offrant une apparence artistique qui améliore les environnements intérieurs et extérieurs.



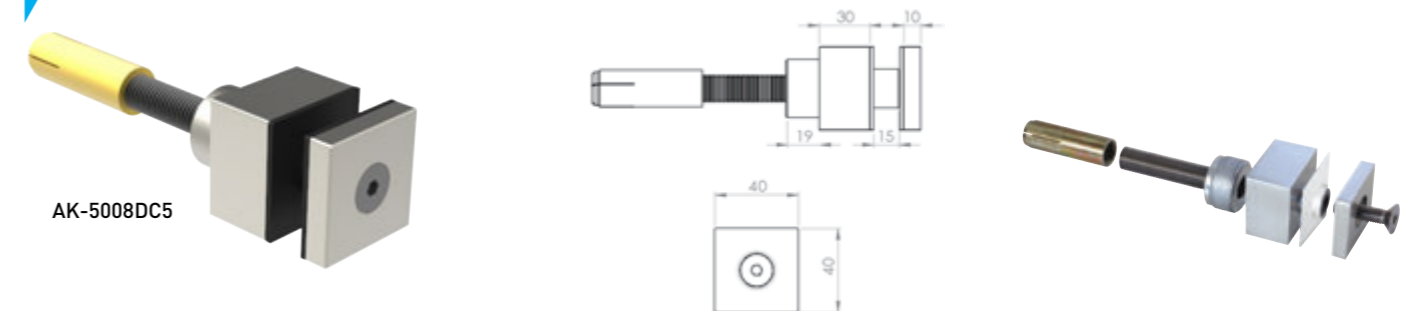
Standoff Glass Adapter



Adjustable Standoff Glass Adapter



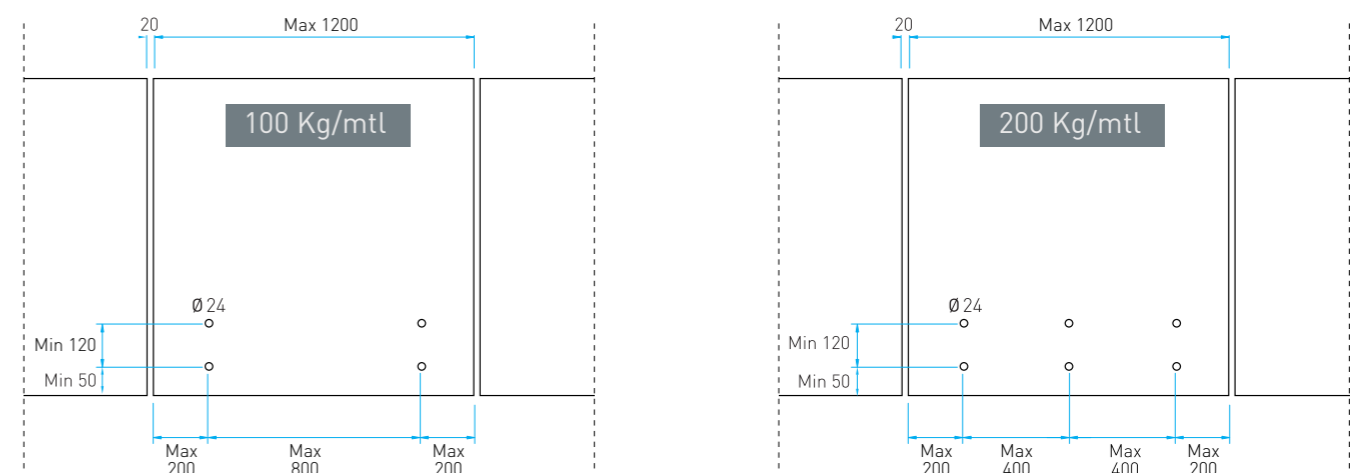
Adjustable Square Standoff Glass Adapter



Installation Details (8+8+1,52)

Installation Guide on Glass (Hole Drilling Dimensions)

Montage Entsprechend zum verwendeten Glas (Abmessungen für Glasbohrung)
Schéma d'installation par le verre de 8 +8 +1,52 (Distance de perçage sur le verre)





ELEGANT SERIES S40

Glass Support Base Shoes



S40-6981

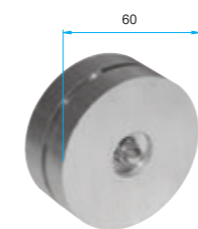
Code	S40-6981
Length	600 cm / 580 cm
Glass Thickness	8,76 mm / 10,76 mm / 12,76 mm Glass
Finish	Anodized / RAL Powder Coated
Prefabricated	✓
Spacer	✓
Pressing Profile +Set Screws	✓

ELEGANT SERIES S40

- ✚ Elegant S40 is the recent and most economic type in Elegant series which is suitable for 8 mm, 10 mm and 12 mm glass thickness. The glass is fixed with glass pressing mechanism in main profile. It gives aesthetic and sturdy results if it is supported with on-glass profiles connected to the wall.
- 🇩🇪 Elegant S40 ist das ökonomischste Modell, das Sie mit 8 mm, 10 mm und 12 mm Glasstärke benutzen können. Durch das Verfestigungssystem im Profil wird das Glas stabilisiert.
- 🇫🇷 C'est le système le plus économique parmi les Systèmes Elégants qui permet utiliser les verres de 8 mm, 10 mm et 12 mm d'épaisseur. On fixe le verre avec un mécanisme de pressage de verre qui se trouve dans le profilé du système.

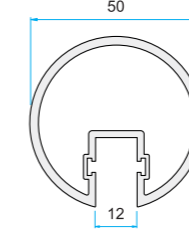


Glass Adapter

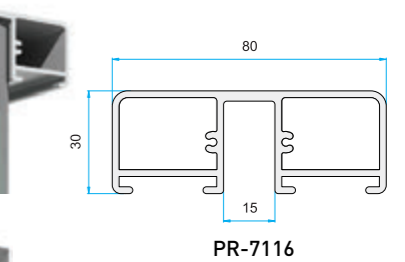


AK-5146
Glass Fixing Accessory
Glas Befestigungszubehör
Accessoire de fixation de verre

Top Rail

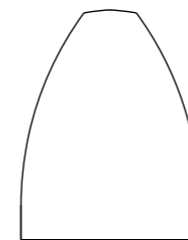


Code: PR-5148
On-Glass Profile
Handläufe
De Profilés sur verre

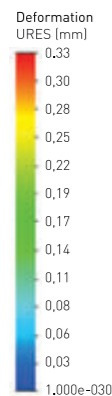


AK-7116F

Endcap



S40-6981K

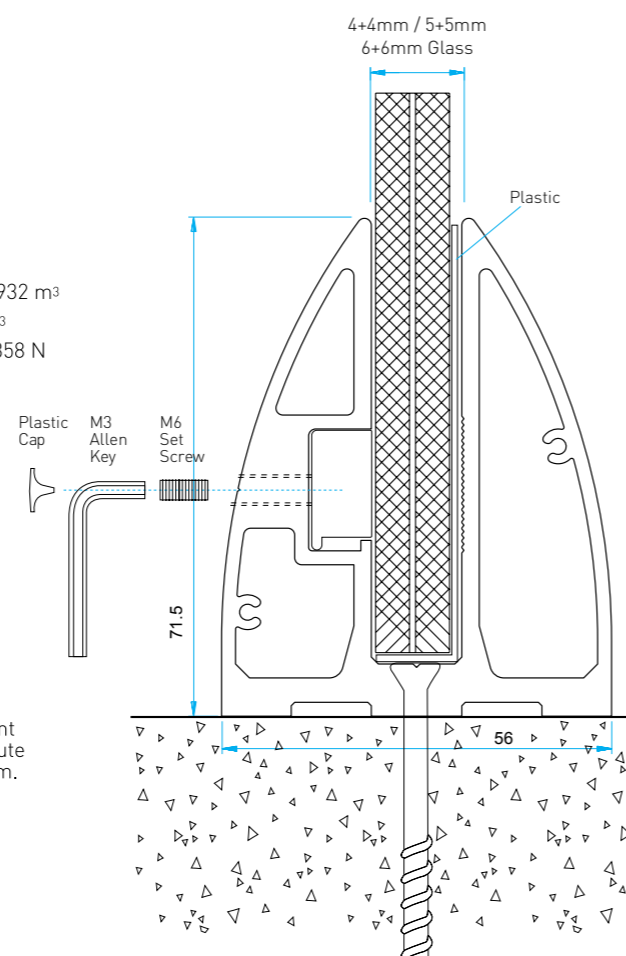


Mass/Block/Masse: 2.77916 kg
 Volume/Volumen/Volume: 0.00102932 m³
 Density/Dichte/Densité: 2700 kg/m³
 Weight/Gewicht/Poids/Force: 27.2358 N

Alloy EN AW 6063
 Stress and relocation results on 1 m. base profile with 350 kg horizontal load to the highest surface of the profile.

Belastungs- und Verlagerungsergebnisse auf 1 m. Basis Profil bei Belastung mit 350 kg, horizontale Belastung auf der höchsten Oberfläche des Profils.

EN AW 6063
 Le stress et le déménagement résultant sur la surface la plus haute de profilé de base de 1 m. à la suite d'une charge horizontale de 350 kg.



You can watch the installation video of this system on Youtube BTS Aluminium TV Channel. Sie können das Installationsvideo dieses Systems auf Youtube BTS Aluminium TV ansehen. Vous pouvez regarder la vidéo de l'installation de ce système sur la chaîne Youtube BTS Aluminium TV.

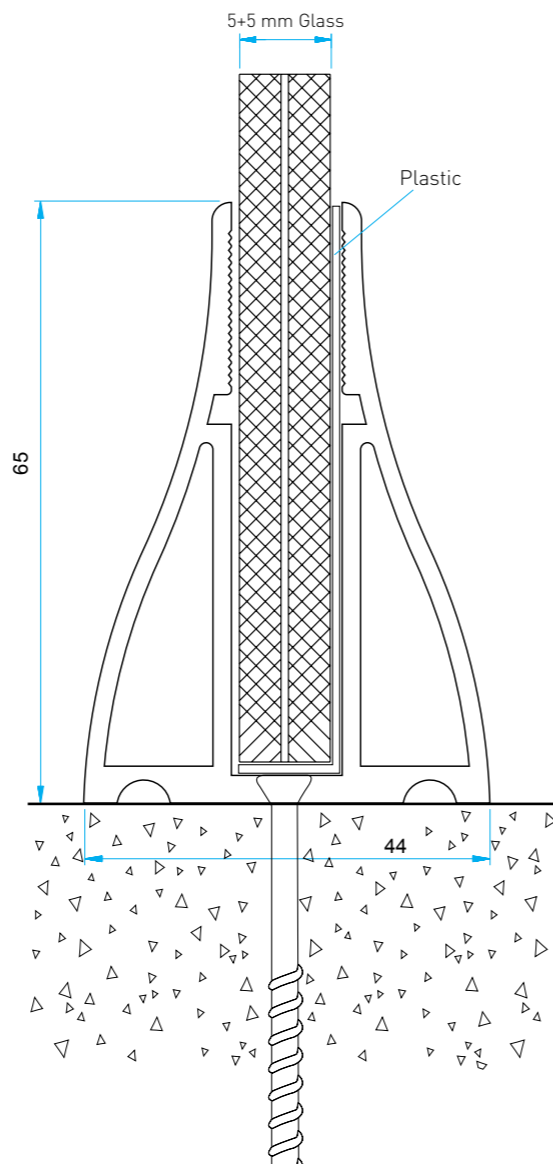




ELEGANT SERIES S40E



- ✚ S40E is the alternative solution to S40 type but it is proper only for 10 mm thickness glass. It gives aesthetic and sturdy results if it is supported with on-glass profiles connected to the wall.
- 🇩🇪 Das Modell S40E ist als Alternative zum Modell S40 produziert worden. Es kann mit 10 mm Glasstärke benutzt werden. Durch die Handläufe bietet es ein ästhetisches Design.
- 🇫🇷 C'est le système qui est développé comme alternatif au système S40 qui est convenable pour l'utilisation de verre de 10 mm d'épaisseur. On soutenant le verre avec les profilés du dessus du verre on obtient un fixage au sol esthétique et économique.



ELEGANT SERIES S40E

Top Mount Glass Supporting System (Economic Type)

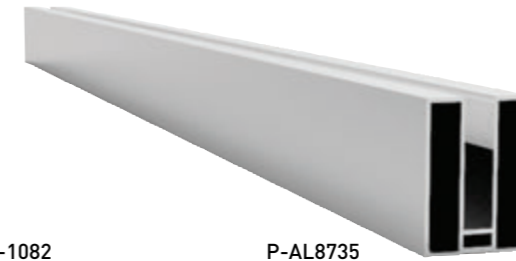
System zur Befestigung auf dem Boden

Système Economique de connexion Au Dessus Du Sol

Full Length Base Channel Profiles

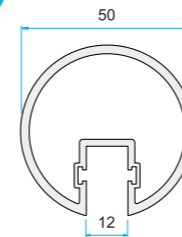


P-1082
1,526 Kg/m

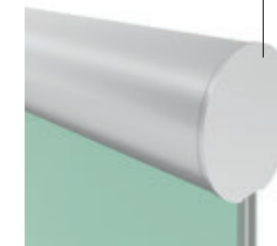


P-AL8735
1,626 Kg/m

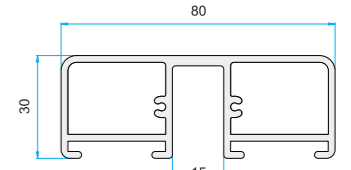
Top Rail



P-AL5148
1,270 Kg/m
On-Glass Profile
Handläufe
De Profilés sur verre



P-AL5148T



P-AL7116
1,60 Kg/m



AK-7116F

Endcap

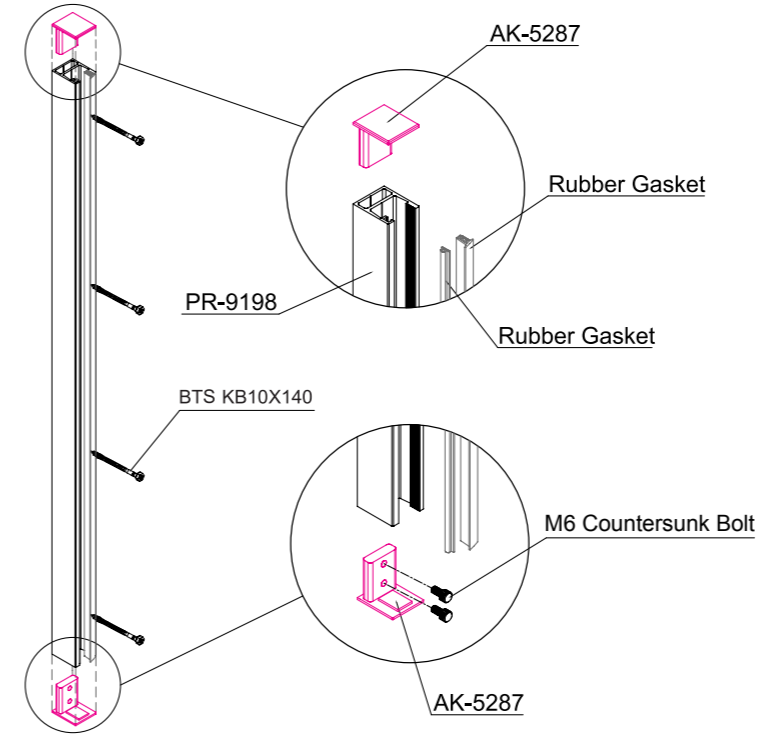


S40E-1082K



You can watch the installation video of this system on Youtube BTS Aluminium TV Channel. Sie können das Installationsvideo dieses Systems auf Youtube BTS Aluminium TV ansehen. Vous pouvez regarder la vidéo de l'installation de ce système sur la chaîne Youtube BTS Aluminium TV.





Balçon À la Française / Französischer Balkon

PRE SIZED READY KITS

Finish	Anodized (Matt Natural)		
Height	900 mm	1000 mm	1100 mm
Rubber Set for Glass	Code	Code	Code
10.7 - 13.5 mm	J100.90.10.1	J100.100.10.1	J100.110.10.1
16.7 - 17.5 mm	J100.90.10.2	J100.100.10.2	J100.110.10.2
20 - 21.5 mm	J100.90.10.3	J100.100.10.3	J100.110.10.3

Finish	RAL (Anthracite Gray)		
Height	900 mm	1000 mm	1100 mm
Rubber Set for Glass	Code	Code	Code
10.7 - 13.5 mm	J100.90.20.1	J100.100.20.1	J100.110.20.1
16.7 - 17.5 mm	J100.90.20.2	J100.100.20.2	J100.110.20.2
20 - 21.5 mm	J100.90.20.3	J100.100.20.3	J100.110.20.3

Finish	RAL (White)		
Height	900 mm	1000 mm	1100 mm
Rubber Set for Glass	Code	Code	Code
10.7 - 13.5 mm	J100.90.22.1	J100.100.22.1	J100.110.22.1
16.7 - 17.5 mm	J100.90.22.2	J100.100.22.2	J100.110.22.2
20 - 21.5 mm	J100.90.22.3	J100.100.22.3	J100.110.22.3

Finish	Mill Finish		
Height	900 mm	1000 mm	1100 mm
Rubber Set for Glass	Code	Code	Code
10.7 - 13.5 mm	J100.90.30.1	J100.100.30.1	J100.110.30.1
16.7 - 17.5 mm	J100.90.30.2	J100.100.30.2	J100.110.30.2
20 - 21.5 mm	J100.90.30.3	J100.100.30.3	J100.110.30.3

ELEGANT SERIES J100

Beautiful, contemporary, modern and unobtrusive...

Frameless glass Juliet balcony is great for inward opening doors in bedrooms etc. It allows a clear view out from the room and brings the outside in. Designed to building regulations, the balcony will achieve 1100mm (1.1m) high. In spite of this minimalist design, the sleek vertical aluminium profiles will let you create Juliet Balconies that span distances up to 2800mm. BTS Juliet series have 2 options.

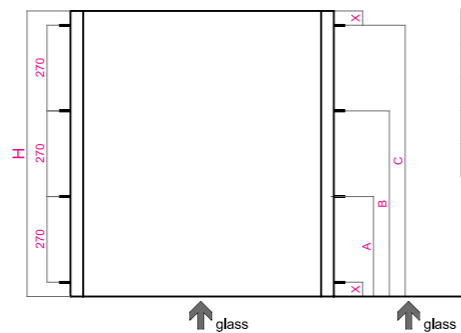
- Side mount type
- Window frame mount type

Schön, zeitgemäß, modern und unauffällig...
Der rahmenlose Glas-Julietebalkon eignet sich hervorragend zum Öffnen von Türen in Schlafzimmern usw. Er ermöglicht einen freien Blick aus dem Raum und führt die Außenseite hinein. Er wurde gemäß den Bauvorschriften entworfen und erreicht eine Höhe von 1.100 mm (1100 mm). Trotz dieses minimalistischen Designs können Sie mit den schlanken vertikalen Aluminiumprofilen Juliet-Balkone mit Entfernungen von bis zu 2800 mm erstellen. Die BTS Juliet-Serie bietet zwei Optionen.

- Seitenmontage
- Fensterrahmen-Montagetyp

Beau, contemporain, moderne et discret...
Le balcon en verre sans cadre Juliette est idéal pour les portes ouvrant vers l'intérieur dans les chambres, etc. Il permet une vue dégagée de la pièce et fait entrer l'extérieur. Conçu conformément aux réglementations de construction, le balcon atteindra 1100 mm (1,1 m) de hauteur. Malgré ce design minimaliste, les profils verticaux élégants en aluminium vous permettront de créer des balcons Juliette qui s'étendent sur des distances allant jusqu'à 2800 mm. La série BTS Juliet a 2 options.

- Type de montage latéral
- Type de montage de cadre de fenêtre



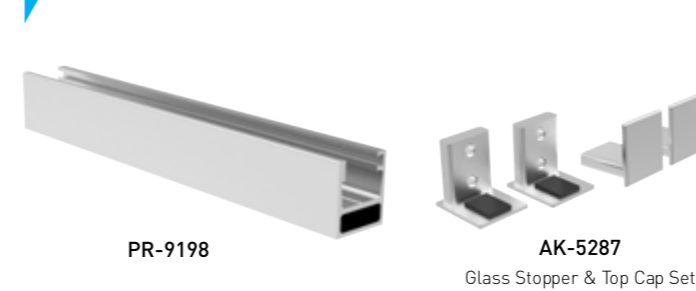
Height (H)	900 mm	1000 mm	1100 mm
A	315 mm	365 mm	415 mm
B	585 mm	635 mm	685 mm
C	855 mm	905 mm	955 mm
X	45 mm	95 mm	145 mm

Glass width up to	Minimum Glass thickness
1200 mm	10.76 mm
1400 mm	12.76 mm
1700 mm	16.76 mm
2800 mm	21.52 mm



You can watch the installation video of this system on Youtube BTS Aluminium TV Channel. Sie können das Installationsvideo dieses Systems auf Youtube BTS Aluminium TV ansehen. Vous pouvez regarder la vidéo de l'installation de ce système sur la chaîne Youtube BTS Aluminium TV.

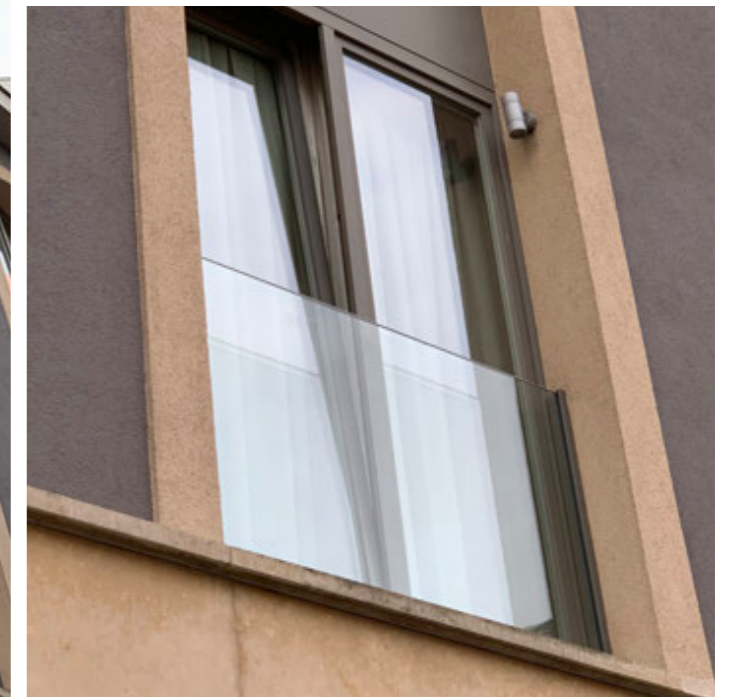
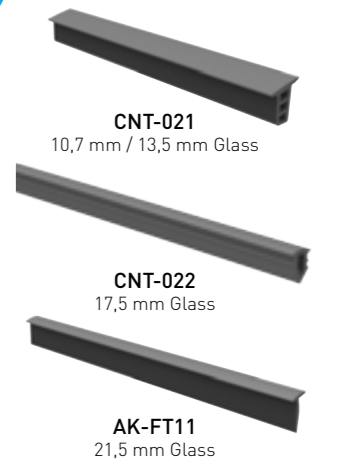
Do It Yourself

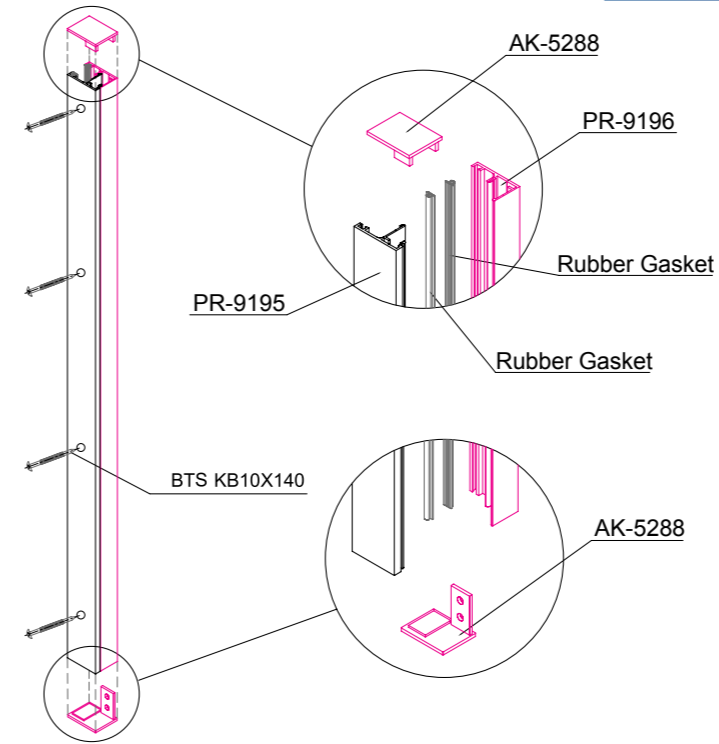


Outer Rubber Gaskets



Inner Rubber Gaskets





Balçon À la Française / Französischer Balkon

PRE SIZED READY KITS

Finish	Anodized (Matt Natural)		
Height	900mm	1000mm	1100mm
Rubber Set for Glass	Code	Code	Code
10.7 - 13.5mm	J120.90.10.1	J120.100.10.1	J120.110.10.1
16.7 - 17.5mm	J120.90.10.2	J120.100.10.2	J120.110.10.2
20 - 21.5mm	J120.90.10.3	J120.100.10.3	J120.110.10.3

Finish	RAL (Anthracite Gray)		
Height	900mm	1000mm	1100mm
Rubber Set for Glass	Code	Code	Code
10.7 - 13.5mm	J120.90.20.1	J120.100.20.1	J120.110.20.1
16.7 - 17.5mm	J120.90.20.2	J120.100.20.2	J120.110.20.2
20 - 21.5mm	J120.90.20.3	J120.100.20.3	J120.110.20.3

Finish	RAL (White)		
Height	900mm	1000mm	1100mm
Rubber Set for Glass	Code	Code	Code
10.7 - 13.5 mm	J120.90.22.1	J120.100.22.1	J120.110.22.1
16.7 - 17.5 mm	J120.90.22.2	J120.100.22.2	J120.110.22.2
20 - 21.5 mm	J120.90.22.3	J120.100.22.3	J120.110.22.3

Finish	Mill Finish		
Height	900mm	1000mm	1100mm
Rubber Set for Glass	Code	Code	Code
10.7 - 13.5mm	J120.90.30.1	J120.100.30.1	J120.110.30.1
16.7 - 17.5mm	J120.90.30.2	J120.100.30.2	J120.110.30.2
20 - 21.5mm	J120.90.30.3	J120.100.30.3	J120.110.30.3

ELEGANT SERIES J120

Beautiful, contemporary, modern and unobtrusive...

Frameless glass Juliet balcony is great for inward opening doors in bedrooms etc. It allows a clear view out from the room and brings the outside in. Designed to building regulations, the balcony will achieve 1100mm (1.1m) high. In spite of this minimalist design, the sleek vertical aluminium profiles will let you create Juliet Balconies that span distances up to 2800mm. BTS Juliet series have 2 options.

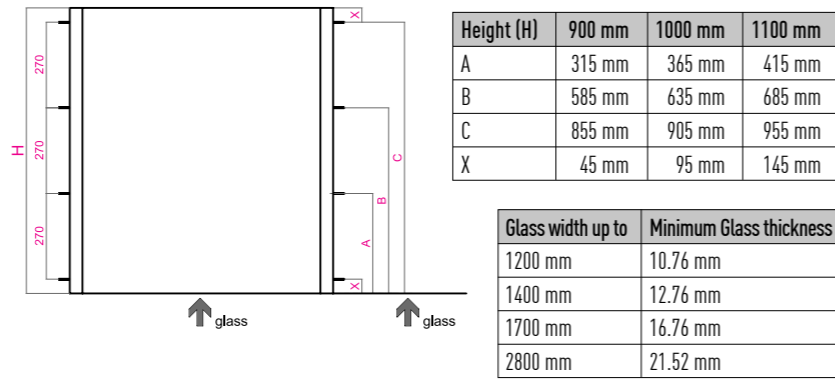
- Side mount type
- Window frame mount type

Schön, zeitgemäß, modern und unauffällig ...
 Der rahmenlose Glas-Julietebalkon eignet sich hervorragend zum Öffnen von Türen in Schlafzimmern usw. Er ermöglicht einen freien Blick aus dem Raum und führt die Außenseite hinein. Er wurde gemäß den Bauvorschriften entworfen und erreicht eine Höhe von 1.100 mm (1100 mm). Trotz dieses minimalistischen Designs können Sie mit den schlanken vertikalen Aluminiumprofilen Juliet-Balkone mit Entfernungen von bis zu 2800 mm erstellen. Die BTS Juliet-Serie bietet zwei Optionen.

- Seitenmontage
- Fensterrahmen-Montagetyp

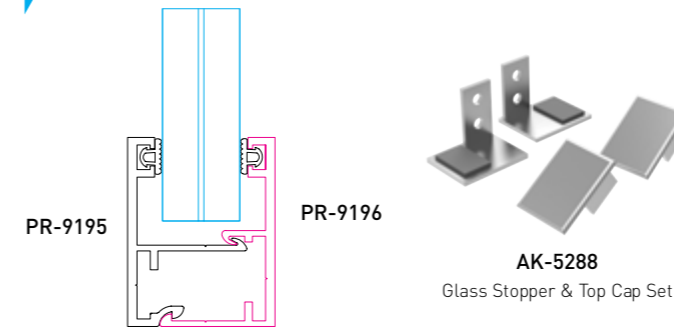
Beau, contemporain, moderne et discret...
 Le balcon en verre sans cadre Juliette est idéal pour les portes ouvrant vers l'intérieur dans les chambres, etc. Il permet une vue dégagée de la pièce et fait entrer l'extérieur. Conçu conformément aux réglementations de construction, le balcon atteindra 1100 mm (1,1 m) de hauteur. Malgré ce design minimaliste, les profilés verticaux élégants en aluminium vous permettront de créer des balcons Juliette qui s'étendent sur des distances allant jusqu'à 2800 mm. La série BTS Juliette a 2 options.

- Type de montage latéral
- Type de montage de cadre de fenêtre

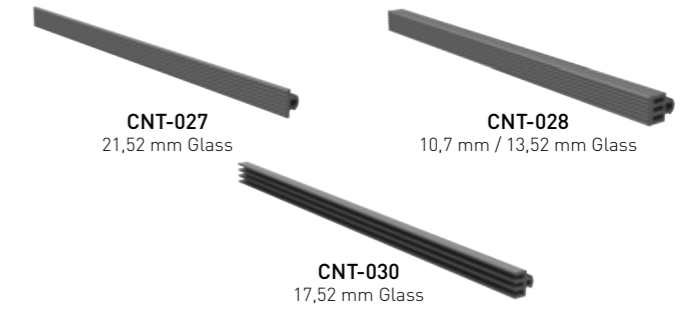


You can watch the installation video of this system on Youtube BTS Aluminium TV Channel. Sie können das Installationsvideo dieses Systems auf Youtube BTS Aluminium TV ansehen. Vous pouvez regarder la vidéo de l'installation de ce système sur la chaîne Youtube BTS Aluminium TV.

Do It Yourself



Rubber Gaskets





ELEGANT SERIES Vista100

Square Standoff Glass Holder

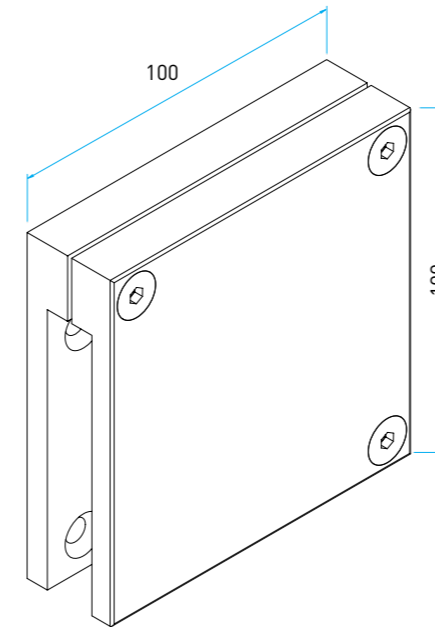


V100



BTS-VJ10X140
Universal Anchor

- Aesthetic Design
- Easy Installation
- Unlimited View
- Cost Effective
- Ästhetisches Design
- Einfache Montage
- Freie Sicht
- Kosteneffizient
- Design esthétique
- Installation facile
- Vue illimitée
- Coût efficace



ELEGANT SERIES Vista100



🇬🇧 Vista series means aesthetic and minimalist details. Vista 100 is the best solution for narrow balconies which is serving newest, minimalist, aesthetic, simple and economic glass railings to your projects. Just fix the V100 glass holders to the four points of wall, put the glass inside the holders and close the holders with screws on it. The holders are suitable for 4+4 mm and 5+5 mm glass thickness.

🇩🇪 Vista Serie bedeutet Ästhetik und minimalistisches Detail. Die Vista 100 Serie ist am besten geeignet für schmale Balkone und bietet Ihnen einfache, ökonomische und ästhetische Lösungen. Montieren sie die Vista 100 an die wand von vier punkten und stellen Sie das Glass in das Befestigungszubehör rein und schrauben Sie es mit der Kappe zusammen. Dieses Modell kann bei 4+4 mm und 5+5 mm Glasstärke benutzt werden.

🇫🇷 La série Vista signifie des détails esthétiques et minimalistes. Vista 100 est la meilleure solution pour les balcons étroits qui servent les balustrades de verre les plus récentes, minimalistes, esthétiques, simples et économiques à vos projets. Fixez simplement les supports en verre V100 aux quatre points du mur; placez le verre à l'intérieur des supports et fermez les supports avec des vis. Les supports sont adaptés pour des épaisseurs de verre de 4+4 mm et 5+5 mm.



You can watch the installation video of this system on Youtube BTS Aluminium TV Channel.
Sie können das Installationsvideo dieses Systems auf Youtube BTS Aluminium TV ansehen.
Vous pouvez regarder la vidéo de l'installation de ce système sur la chaîne Youtube BTS Aluminium TV.



ELEGANT SERIES Vista300

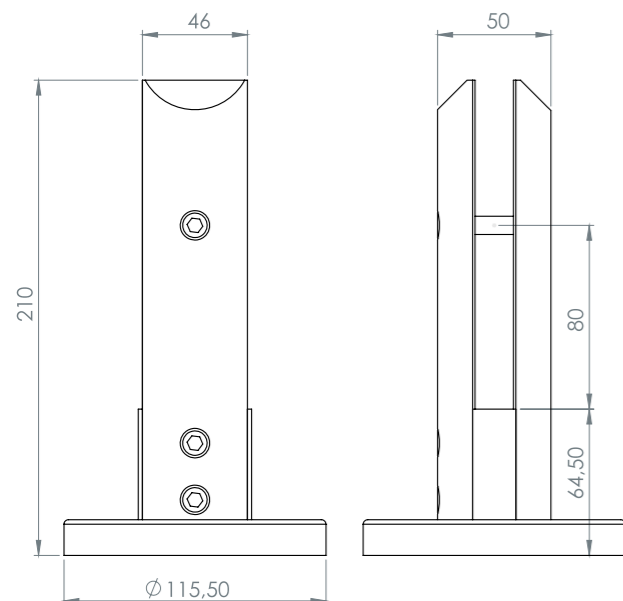


V300

✚ New Elegant serie Vista300 is serving newest, minimalist, aesthetic, simple and economic glass railings to your projects. Vista300 spigots are designed for especially swimming pools, outdoor separation, garden separations. Vista300 spigots bring time, value, aesthetic and difference to your projects with advantages of easy installation.

🇩🇪 Mit der neuen Elegant Serie Vista300 bietet Ihren Projekten eine moderne, minimalistische und ökonomische Verglasung. Besonders für die Verwendung an Pools, im Freibereich (z.B. Gartenunterteilungen) ist dieses mit Zapfen befestigte System ideal. Für eine schnelle und innovative Lösung.

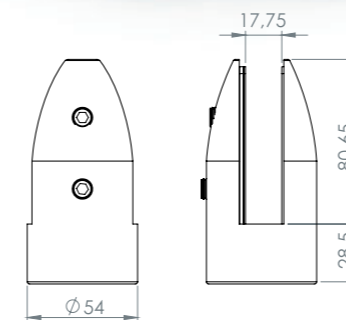
🇫🇷 La série Elégante Vista 300 est une nouvelle série qui nous donne la possibilité d'avoir un nouveau garde-corps avec du verre très esthétique, minimaliste, simple et surtout économique. On utilise ce genre de garde-corps spécialement sur le bord des piscines, cloisons en plein air, et aussi dans des espaces de jardin. Avec ce fameux système Vista 300 vous économiser du temps car l'installation et facile, rapide donc vos travaux se termineraient en peu de temps.



ELEGANT SERIES Vista310



V310



V310 Max

✚ V310 spigot includes a clamp to hold the glass. When combined with toughened glass, you get high-quality balustrade suitable for a wide range of applications. Add contemporary style to homes. Whether for the outer area of a swimming pool or raised decking, this balustrade is the perfect blend of looks, function and versatility.

🇩🇪 Der V310-Zapfen enthält eine Klammer zum Halten des Glases. In Kombination mit gehärtetem Glas erhalten Sie eine hochwertige Balustrade, die für eine Vielzahl von Anwendungen geeignet ist. Fügen Sie zeitgenössischen Stil zu Häusern hinzu. Diese Balustrade ist die perfekte Mischung aus Aussehen, Funktion und Vielseitigkeit, sei es für den Außenbereich eines Swimmingpools oder für erhöhte Terrassen.

🇫🇷 L'ergot V310 comprend une pince pour maintenir le verre. Lorsqu'il est combiné avec du verre trempé, vous obtenez une balustrade de haute qualité adaptée à un large éventail d'applications. Ajoutez un style contemporain aux maisons. Que ce soit pour l'extérieur d'une piscine ou une terrasse surélevée, cette balustrade est le mélange parfait d'apparence, de fonctionnalité et de polyvalence.





ELEGANT SERIES Vista320

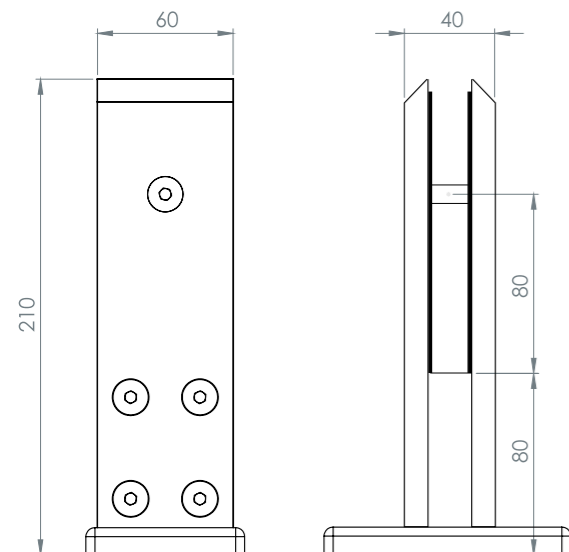
🇬🇧 V320 Square model glass spigots are commonly used for creating fenced areas around entrances, walkways, decking or swimming pools, glass spigots can also be used as short posts to elevate or increase the height of existing structures. These economic frameless glass railing solutions are an easy and effective way of creating impressive designs for residential and commercial buildings.

🇩🇪 Glaszapfen des quadratischen Modells V320 werden häufig zum Erstellen von umzäunten Bereichen um Eingänge, Gehwege, Terrassen oder Schwimmbäder verwendet. Glaszapfen können auch als kurze Pfosten zum Anheben oder Erhöhen vorhandener Strukturen verwendet werden. Mit diesen wirtschaftlichen rahmenlosen Glasgelaenderlösungen lassen sich auf einfache und effektive Weise eindrucksvolle Entwürfe für Wohn- und Geschäftsgebäude erstellen.

🇫🇷 Les manchons en verre de modèle carré V320 sont couramment utilisés pour créer des zones clôturées autour des entrées, des passerelles, des terrasses ou des piscines, les manchons en verre peuvent également être utilisés comme des poteaux courts pour élever ou augmenter la hauteur des structures existantes. Ces solutions économiques de garde-corps en verre sans cadre sont un moyen simple et efficace de créer des conceptions impressionnantes pour les bâtiments résidentiels et commerciaux.



V320



ELEGANT SERIES Vista330

🇬🇧 V330 spigot holds the glass with wedge. There is no need to drill the glass. When combined with toughened glass, you get high-quality balustrade suitable for a wide range of applications. Add contemporary style to homes. Whether for the outer area of a swimming pool or raised decking, this balustrade is the perfect blend of looks, function and versatility.

🇩🇪 Der V330-Zapfen hält das Glas mit einem Keil. Das Glas muss nicht gebohrt werden. In Kombination mit gehärtetem Glas erhalten Sie eine hochwertige Balustrade, die für eine Vielzahl von Anwendungen geeignet ist. Fügen Sie zeitgenössischen Stil zu Häusern hinzu. Diese Balustrade ist die perfekte Mischung aus Aussehen, Funktion und Vielseitigkeit, sei es für den Außenbereich eines Swimmingpools oder für erhöhte Terrassen.

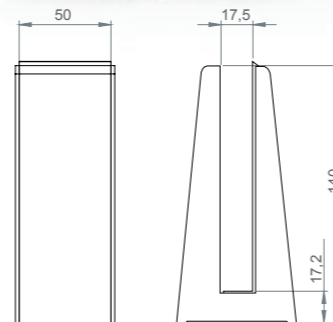
🇫🇷 L'ergot V330 maintient le verre avec un coin. Il n'est pas nécessaire de percer le verre. Lorsqu'il est combiné avec du verre trempé, vous obtenez une balustrade de haute qualité adaptée à un large éventail d'applications. Ajoutez un style contemporain aux maisons. Que ce soit pour l'extérieur d'une piscine ou une terrasse surélevée, cette balustrade est le mélange parfait d'apparence, de fonctionnalité et de polyvalence.



V330



V330 Max

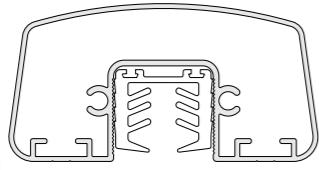




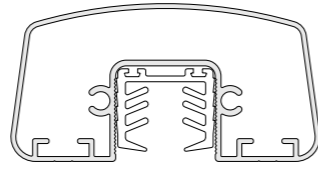
On glass profile for 12 mm safety glass with gasket inside
12 mm Glas (mit Dichtung)
Verre de 12 mm avec joint

On glass profile for 16 mm safety glass with gasket inside
16 mm Glas (mit Dichtung)
Verre de 16 mm avec joint

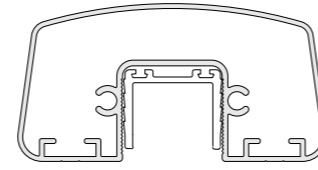
On glass profile for 20 mm safety glass with gasket inside
20 mm Glas (mit Dichtung)
Verre de 20 mm avec joint



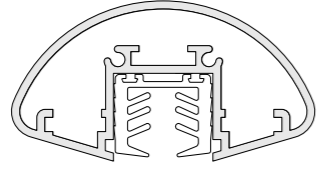
PR-6948/12



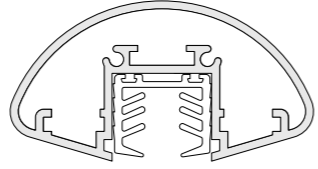
PR-6948



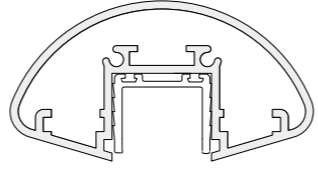
PR-6948/20



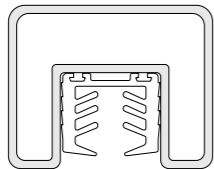
PR-6423/12



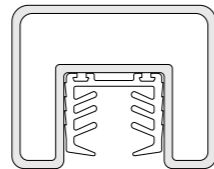
PR-6423



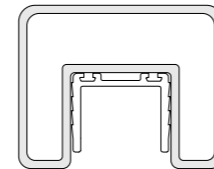
PR-6423/20



PR-7271/12



PR-7271



PR-7271/20



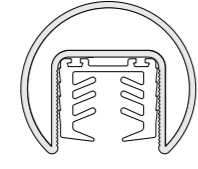
PR-9183/12



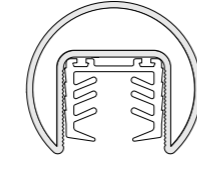
PR-9183



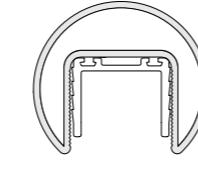
PR-9183/20



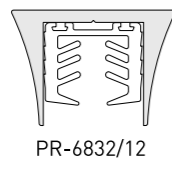
PR-6539/12



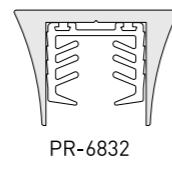
PR-6539



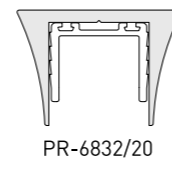
PR-6539/20



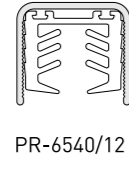
PR-6832/12



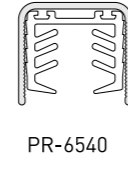
PR-6832



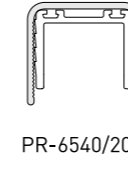
PR-6832/20



PR-6540/12



PR-6540



PR-6540/20



PR-7426

Double Sided Tape
Doppelseitiges Klebeband
Ruban double-face



PR-6728

Double Sided Tape
Doppelseitiges Klebeband
Ruban double-face



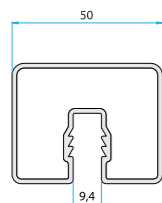
PR-6936

Double Sided Tape
Doppelseitiges Klebeband
Ruban double-face

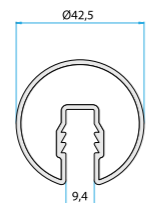
Various Top Rail Options



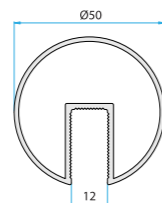
PR-6528



PR-7979



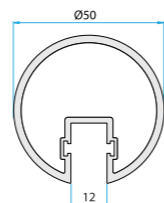
PR-7915



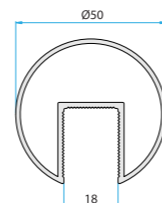
PR-7798



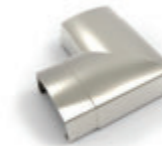
PR-5749



PR-5148



PR-7800



AK-6948D



AK-6948B



AK-6948F



AK-6948TA



AK-6423F



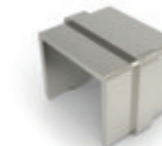
AK-6423B



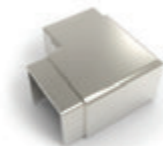
AK-6423D



AK-6423TS



AK-7271B



AK-7271D



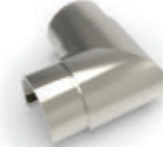
AK-7271TA



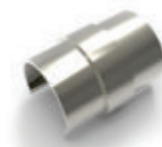
AK-7271F



AK-9183F



AK-9183D



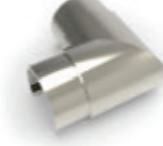
AK-9183B



AK-9183TA



AK-6539F



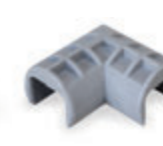
AK-6539D



AK-6539B



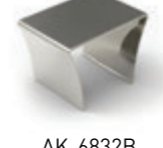
AK-6539TA



AK-6539C



AK 6832F



AK 6832B



AK 6832D



AK 6832T



AK-6540TA



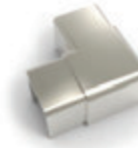
AK-6540F



AK-6540V



AK-6540H



AK-6540KD



AK-6540KD1



AK-6540B



AK-6540T



AK-6540C



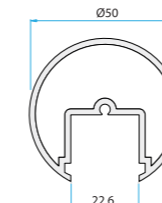
AK-6728F



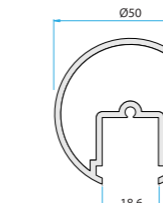
AK-6728D1
90°C Corner



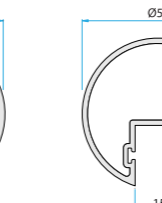
AK-6728D2
135°C Corner



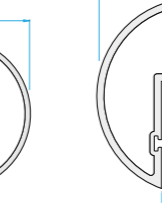
PR-6425



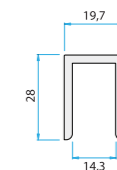
PR-6424



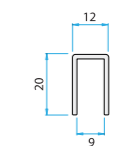
PR-6413



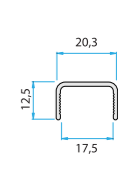
PR-5900



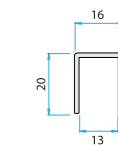
PR-7304



PR-8092



PR-8052



PR-8093



HANDRAILS



SLIM MODEL



SQUARE MODEL



ROUND MODEL



ROUND MODEL



ROUND MODEL



MIDDLE GLASS SUPPORT



ROUND



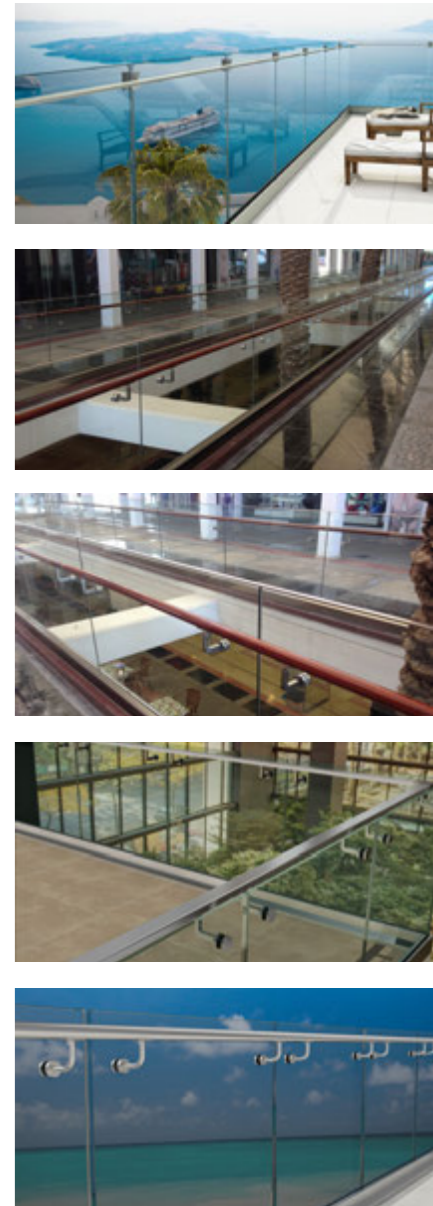
AK-5146



SQUARE



AK-5072





Installation Tools Installationswerkzeug / Outils d'installation

AK-5076 Glass Suction Lifter Glas Saugnapf Verre vantouse	AK-5027T Chemical Silicon and Plug Pistol Silikon Pistole Silicone pistolet	AK-5027P Air Pump Luftpumpe Pompe à air	AK5027K Chemical Anchor Epoxy Kleber Glue chimique	AK-5077 Silicon Silikon Silicone
AK-5078 Cleaning Spray for Aluminium Surface Reinigungsspray für Aluminium Oberfläche Pulvérisation de nettoyage pour surface d'Aluminium	AK-5027D Adhesive for Aluminium Aluminium Kleber Adhésif pour Aluminium	AK-5079 Cutting Machine Säge Scie	AK-5079T Saw Säge Scie	AK-5299 Wedge Fixing Tool
		Sample Sets Werbematerial / Matériel promotionnel		
AK-5008DC3A C Spanner Befestigungsschlüssel Etrier de serrage	AK-E5080 Elegant C50 Sample Box Elegant C50 Musterbox Elégante C50 Boite d'échantillon			

Standards stay the same, innovation never ends...



BTS Testing Department - Test & Laboratory

BTS Prüfabteilung - Prüfen & Labor / Département de test BTS - Département de test et laboratoire

Wind Tunnel (Wind Load) Windkanal (Windlast) / Tunnel du vent (charge du vent)	Horizontal Static Load Test Statische Traglast / Charge statique	Dynamic Impact Test Dynamische Belastung Charge d'effet dynamique

www.btsaluminium.com

■ **Headquarters**

Mermeciler Sanayi Sitesi 7. Cd. No: 6
Yakuplu / Beylikdüzü / İstanbul / Türkiye

T : +90 212 875 17 14 - 876 50 88 - 876 50 89
F : +90 212 876 08 95

■ **Factory (Extrusion)**

Kızılıkdere OSB 4. Cadde No:7
Kırklareli / Türkiye

T : +90 288 502 32 02 - 288 502 32 04

■ **Branch Office & Retail Sale**

Hürriyet Mh. Dr. Cemil Bengü Cd. Yurt Sk.
No:13 Çağlayan / İstanbul / Türkiye

T : +90 212 247 16 66 - 248 19 81 - 219 35 70
F : +90 212 219 28 39

info@btsaluminium.com
www.btsaluminium.com

